

ANTI-VANDAL SWITCHES
 DETECTOR SWITCHES
 DIP SWITCHES
 KEYLOCK SWITCHES
 NAVIGATION SWITCHES
 PUSHBUTTON SWITCHES
 ROCKER SWITCHES
 ROTARY SWITCHES
 SLIDE SWITCHES
 SNAP ACTION SWITCHES
 TACTILE SWITCHES
 TOGGLE SWITCHES
 CAP OPTIONS



APPLICATIONS / MARKETS



Portable Equipment



Gaming and Computer



Security Devices



Medical

RoHS

SPECIFICATIONS

Electrical Rating: 20mA, 20V (AC or DC)
Life Expectancy: 1,000,000 Cycles
Contact Resistance: 5Ω Max.
Insulation Resistance: 100MΩ Min. at 500VDC
Dielectric Strength: 500VAC for 1 Minute
Operating Temperature: -25°C to 70°C

Function: SPST

FEATURES & BENEFITS

- 1,000,000 cycle life expectancy
- The switch is triggered when tilted 45 degrees of the horizontal
- Environmentally friendly, contains no mercury

PART NUMBER CONFIGURATOR

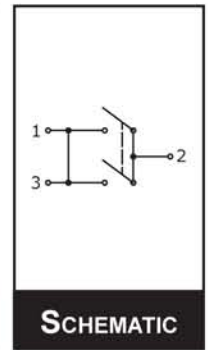
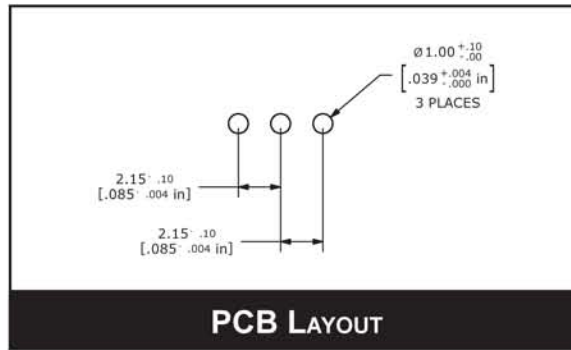
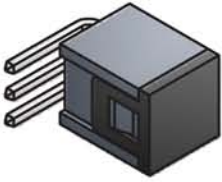
Series Model Contact Material



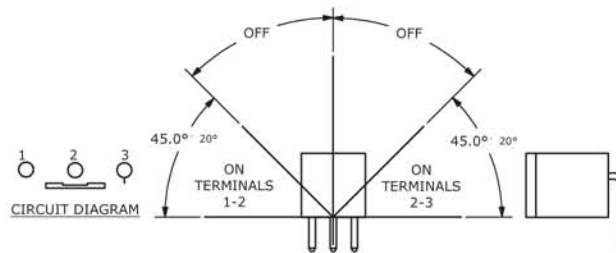
TM 1000 Q - Silver

Specifications subject to change without notice

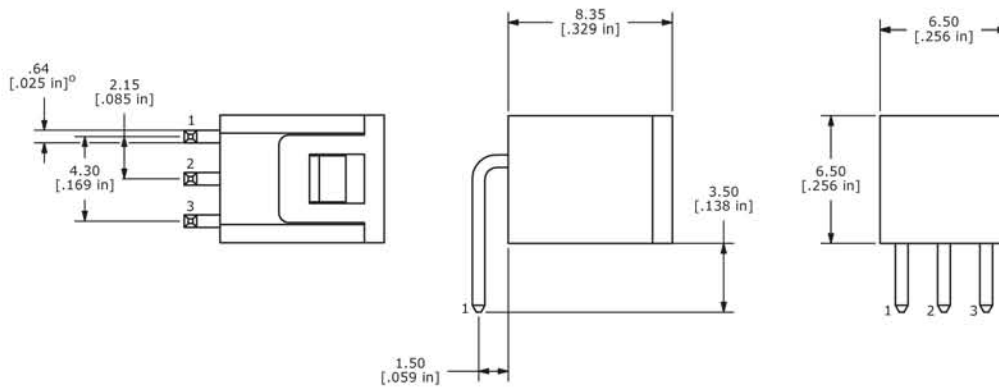




ON - OFF ANGLES



BODY DIMENSIONS



- ANTI-VANDAL SWITCHES
- DETECTOR SWITCHES**
- DIP SWITCHES
- KEYLOCK SWITCHES
- NAVIGATION SWITCHES
- PUSHBUTTON SWITCHES
- ROCKER SWITCHES
- ROTARY SWITCHES
- SLIDE SWITCHES
- SNAP ACTION SWITCHES
- TACTILE SWITCHES
- TOGGLE SWITCHES
- CAP OPTIONS



Mouser Electronics

Authorized Distributor

Click to View Pricing, Inventory, Delivery & Lifecycle Information:

[E-Switch:](#)

[TM1000](#) [TM1000Q](#)