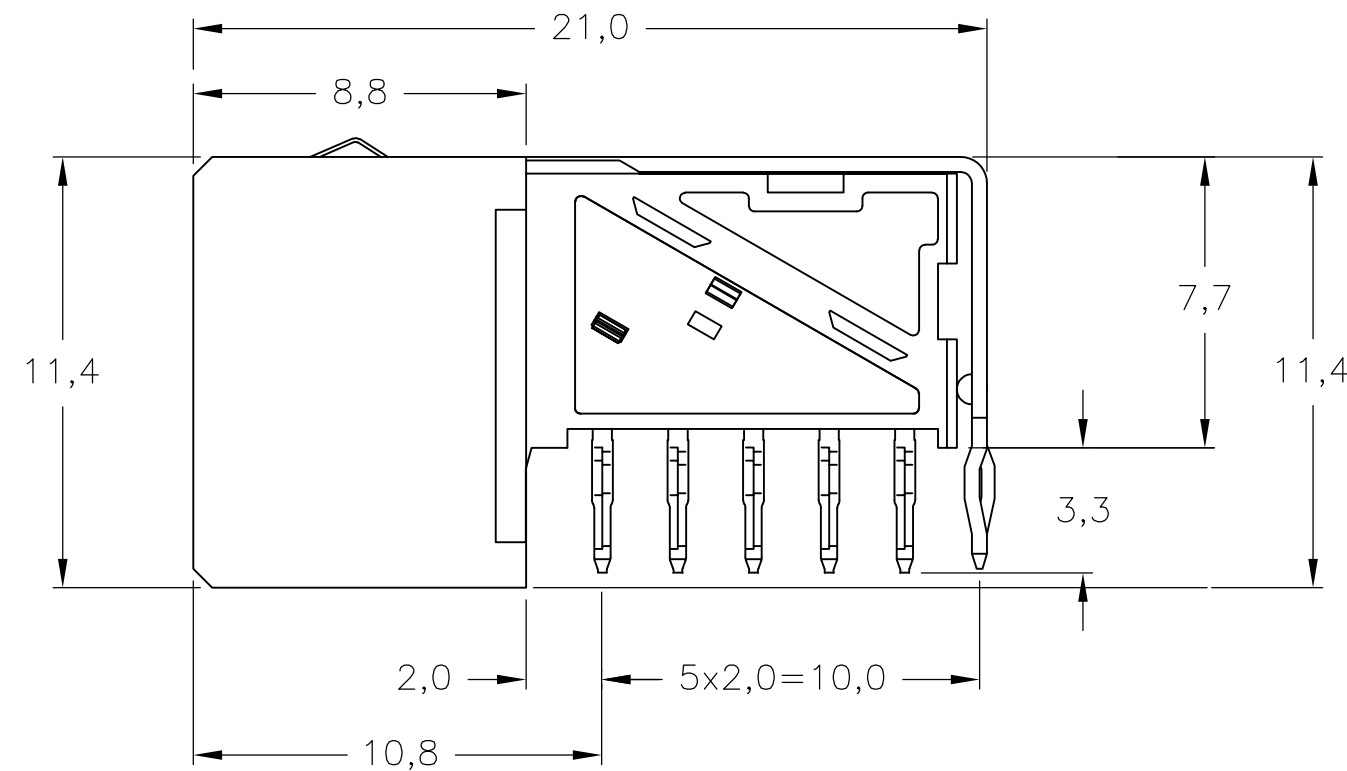
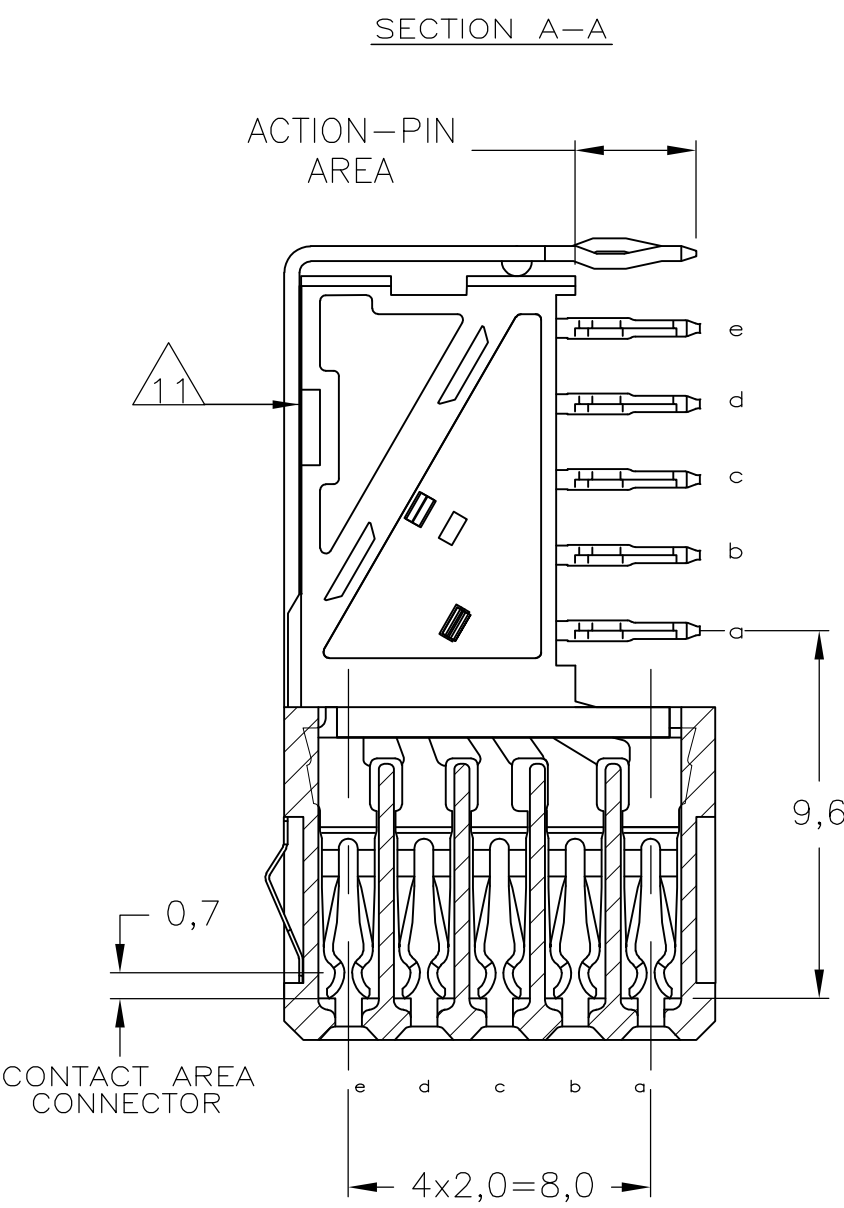
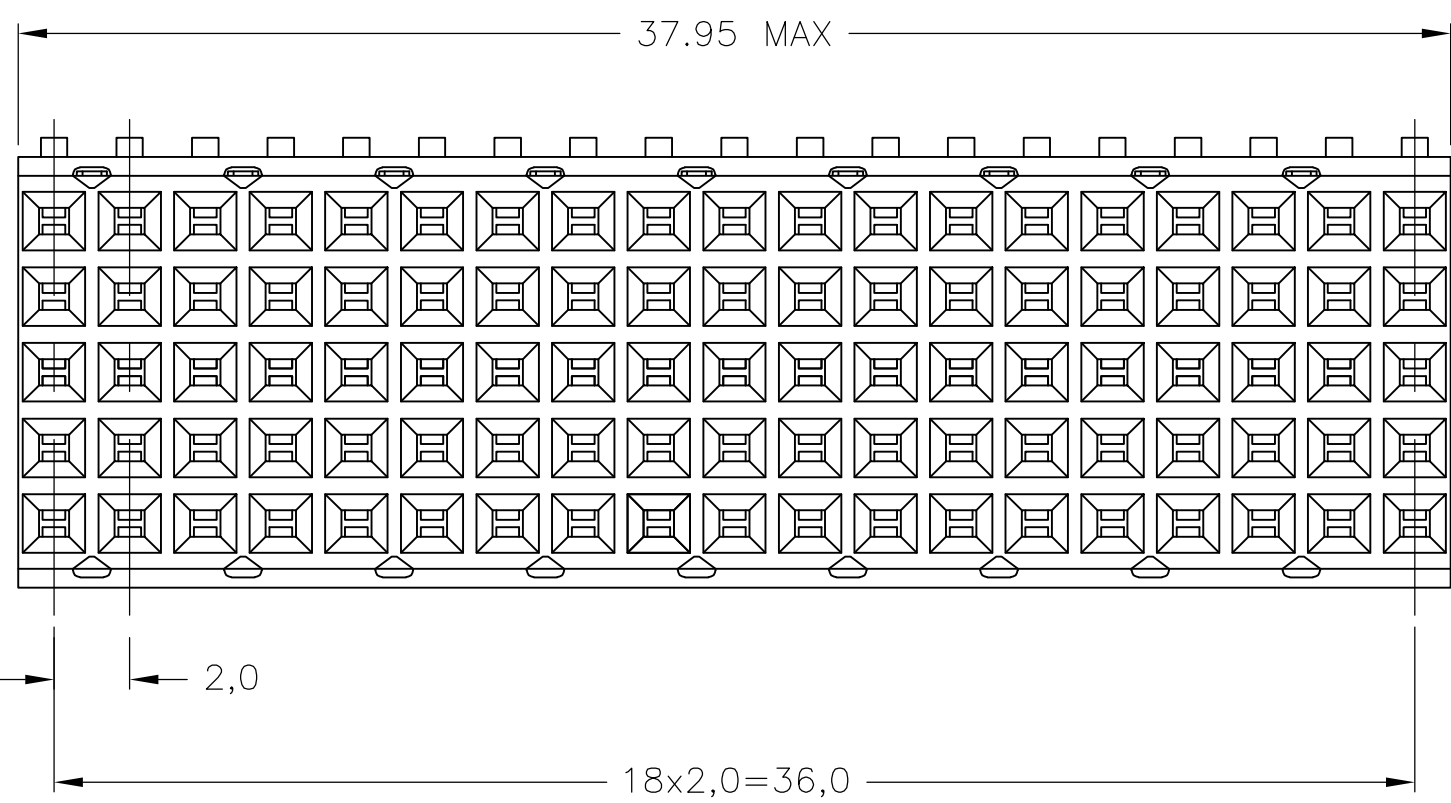
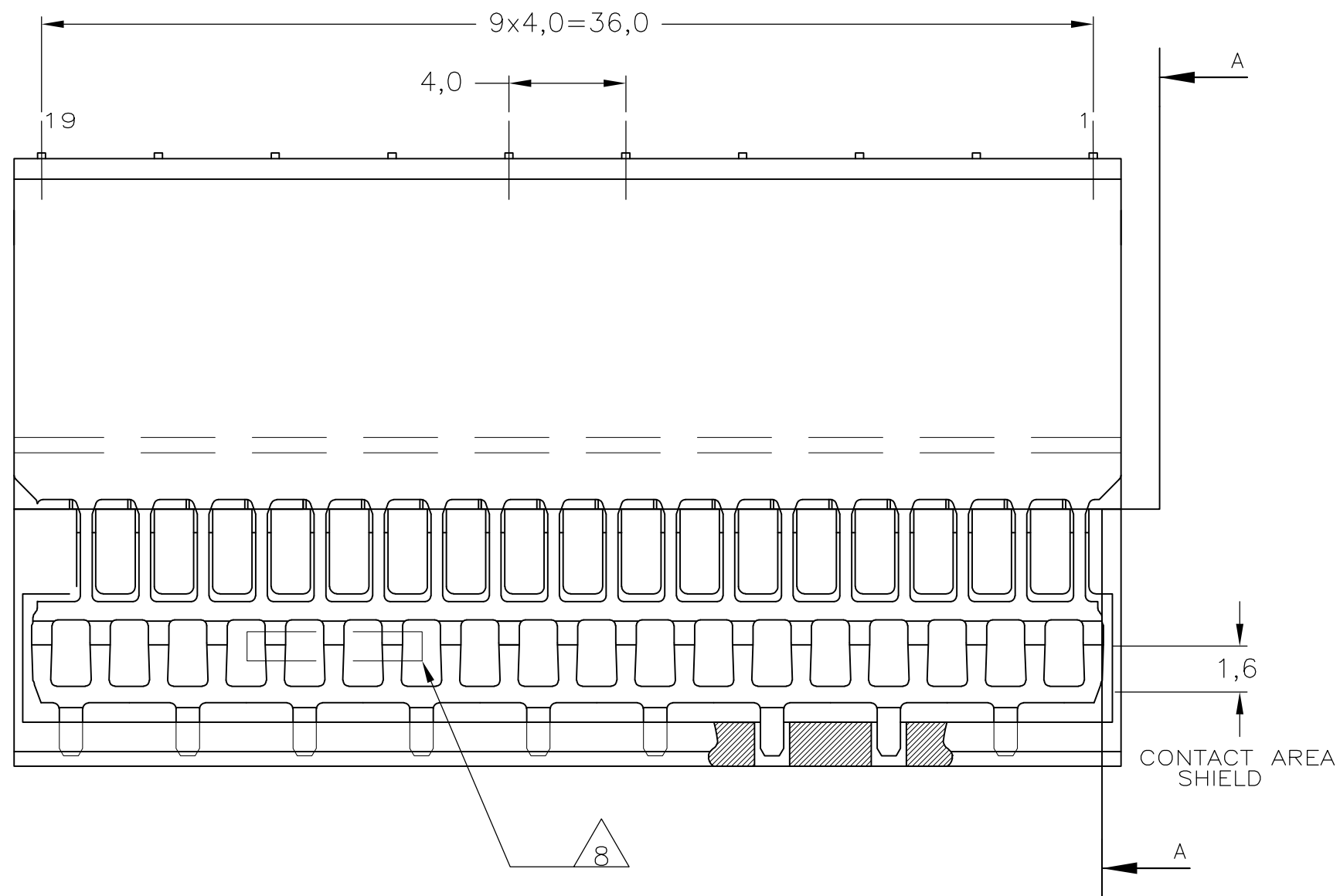


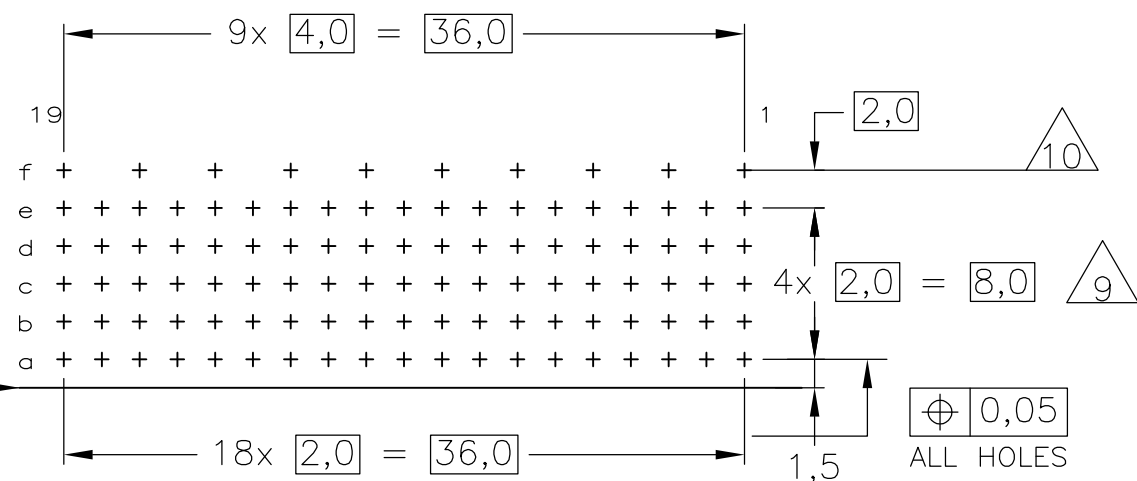
THIS DRAWING IS UNPUBLISHED. RELEASED FOR PUBLICATION
 © COPYRIGHT - By - ALL RIGHTS RESERVED.

REVISIONS					
P	LTR	DESCRIPTION	DATE	DWN	APVD
F		REVISED PER ECR-16-013298	02JUN2017	FL	SY



- NOTES:
- △ MATERIAL CONTACTS; PHOSPHORBRONZE
 - △ MATERIAL HOUSING; GLASSFILLED POLYESTER (GRAY)
 - △ GENERAL PLATING SPECIFICATION: UNDERPLATING (ENTIRE CONTACT): 1,27µm NICKEL MIN. AND ACTION PIN: 0,5µm TIN MIN. FOR PLATING OF MATING SURFACES SEE APPLICABLE SPECIFICATION REFERENCE FOR EACH DASH NUMBER.
 - △ CONFORMS TO ALL TESTING ACCORDING IEC 61076-4-101 PERFORMANCE LEVEL 2.
 - △ CONFORMS TO ALL TESTING ACCORDING IEC 61076-4-101 PERFORMANCE LEVEL 1.
 - △ CONNECTOR TESTED AND QUALIFIED AGAINST TELCORDIA GR-1217-CORE QUALITY LEVEL III, CENTRAL OFFICE APPLICATIONS.
 - △ CONNECTOR LUBRICATED WITH TELCORDIA GR-1217-CORE APPROVED LUBRICANT.
 - △ ASSEMBLY PRINTED WITH P/N AND DATECODE
 - △ THE MARKING CAN APPEAR ON THE FRONT SIDE OR BACK SIDE.
 - △ HOLE PATTERN FOR FEMALE CONNECTOR TYPE B-19 COLUMNS
 - △ 95 PLATED-THROUGH HOLES AT 2x2mm SQUARE GRID
 - △ ROW "f" 10 PLATED THROUGH HOLES FOR UPERSHIELD
 - △ SHIELD MOUNTED ON CONNECTOR WITH DOUBLE SIDED ADHESIVE TAPE OR ADHESIVE
 - 12 BASIC P.N. LOWERSHIELD : 5352029.
 - △ 0.76mm MIN GOLD PLATING AT MATING SURFACE

COMPONENT SIDE AS SHOWN
 RECOMMENDED PCB-HOLE LAY-OUT
 SCALE 2,5:1



P.C.B. HOLE DIM. ACTION PIN
 FOR DETAILS SEE
 APPLICATION SPECIFICATION

EDGE OF P.C.BOARD

OBSOLETE	△ 2 △ 3 △ 13	△	3-5352171-0
	△ 2 △ 5 △ 6	△	5352171-9
	△ 2 △ 4	△	5352171-4
	△ 2 △ 3	△	5352171-1
	FINISH	MATERIAL	PARTNUMBER

THIS DRAWING IS A CONTROLLED DOCUMENT.		DWN	21AUG2004	TE Connectivity	
DIMENSIONS: mm		CHK	27OCT2004	Z-PACK 2mm HM	
TOLERANCES UNLESS OTHERWISE SPECIFIED: ±0.2		APVD	27OCT2004	TYPE B - 19 COLUMNS	
6 PLG ±		PRODUCT SPEC	108-19082	PRE-SHIELDED RECEPTACLE	
1 PLG ±		APPLICATION SPEC	114-19029	SIZE	CAGE CODE
2 PLG ±		WEIGHT	0.000000	A2	00779
3 PLG ±		CUSTOMER DRAWING		DRAWING NO	
4 PLG ±				C=5352171	
ANGLES ±				SCALE	SHEET
FINISH				5:1	1 of 1
				REV	F

Mouser Electronics

Authorized Distributor

Click to View Pricing, Inventory, Delivery & Lifecycle Information:

[TE Connectivity:](#)

[5352171-1](#)