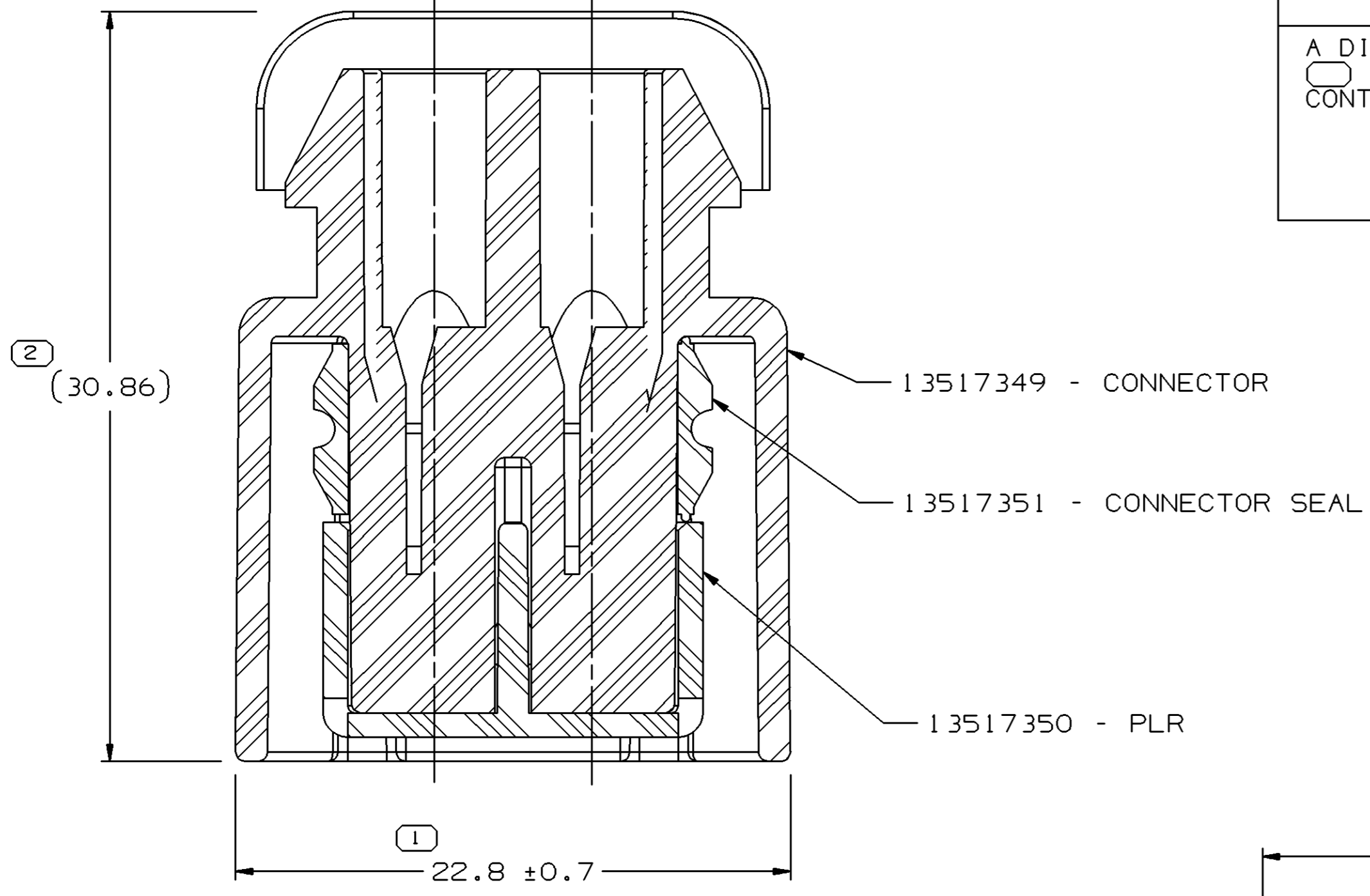


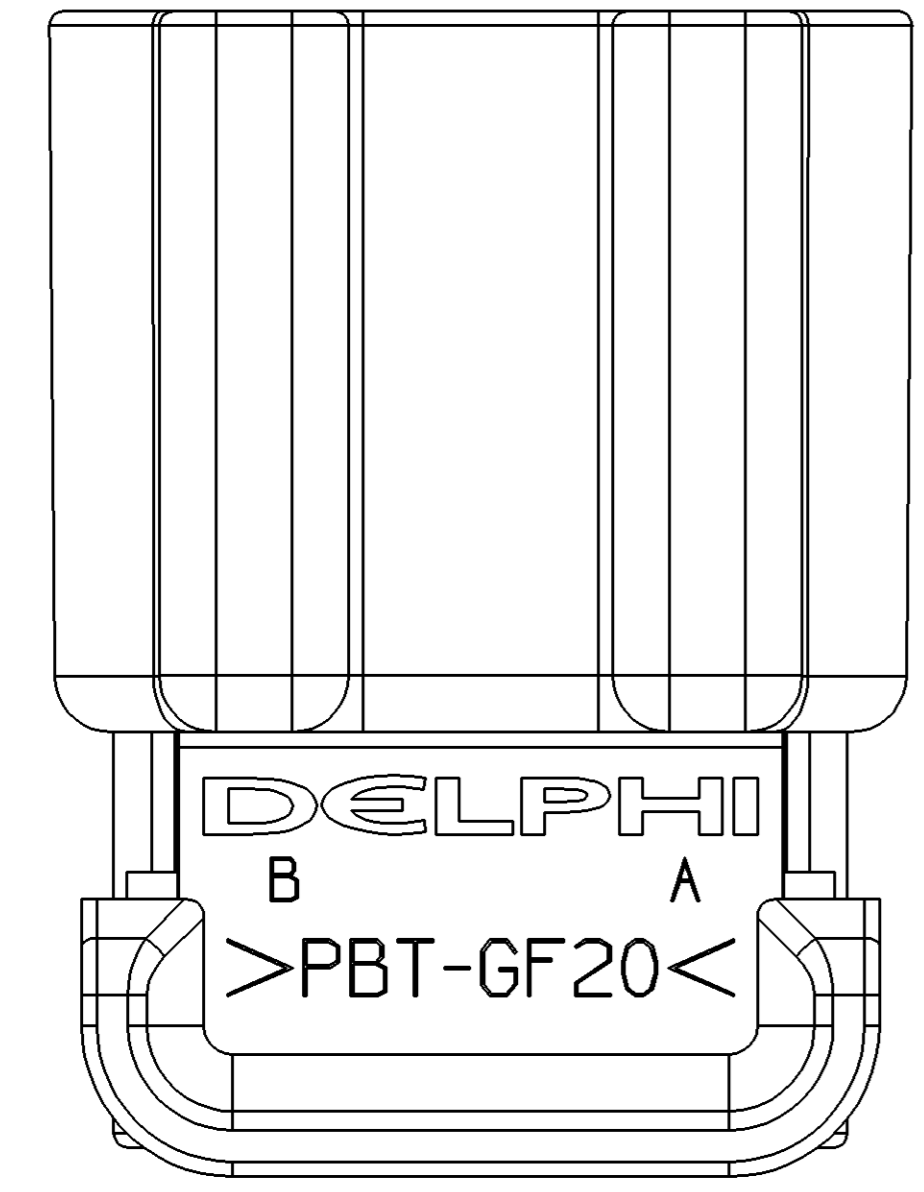
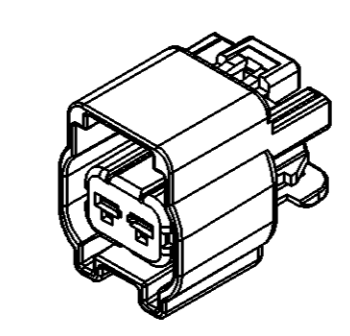
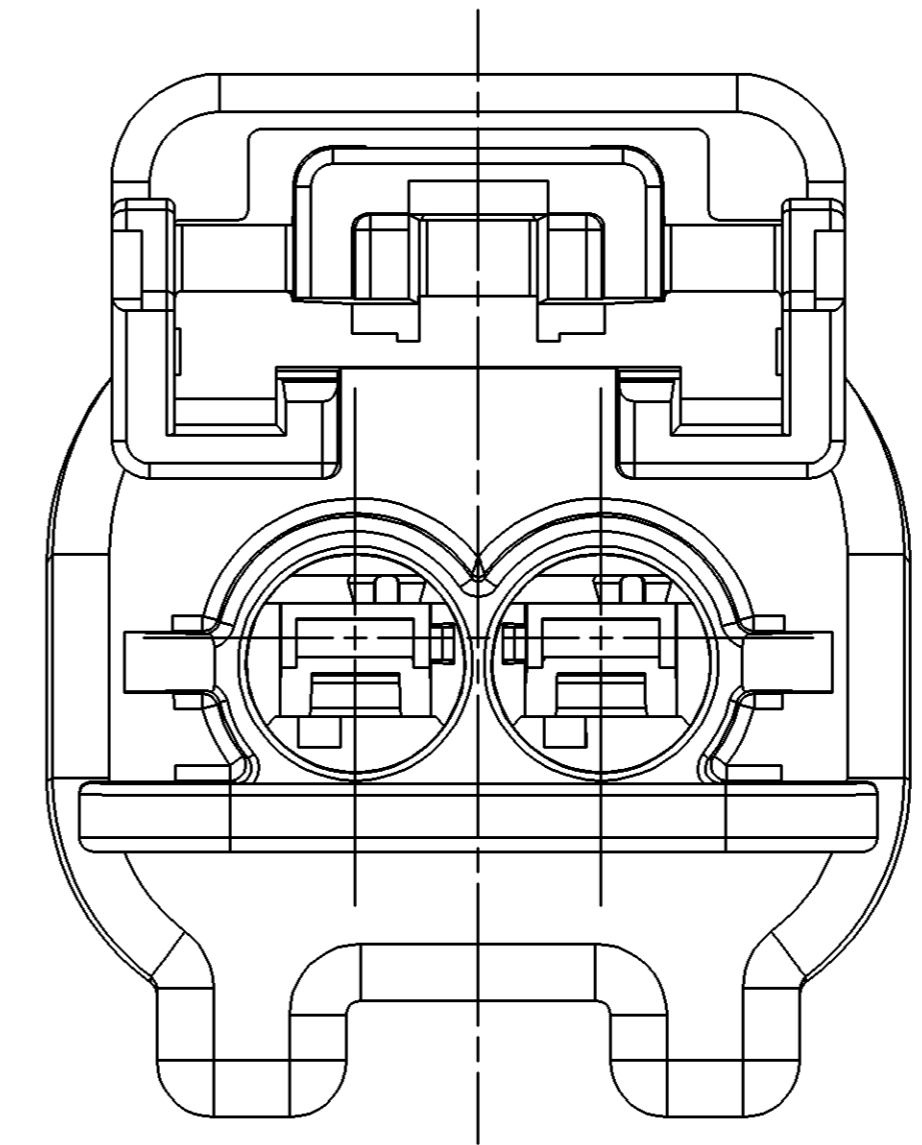
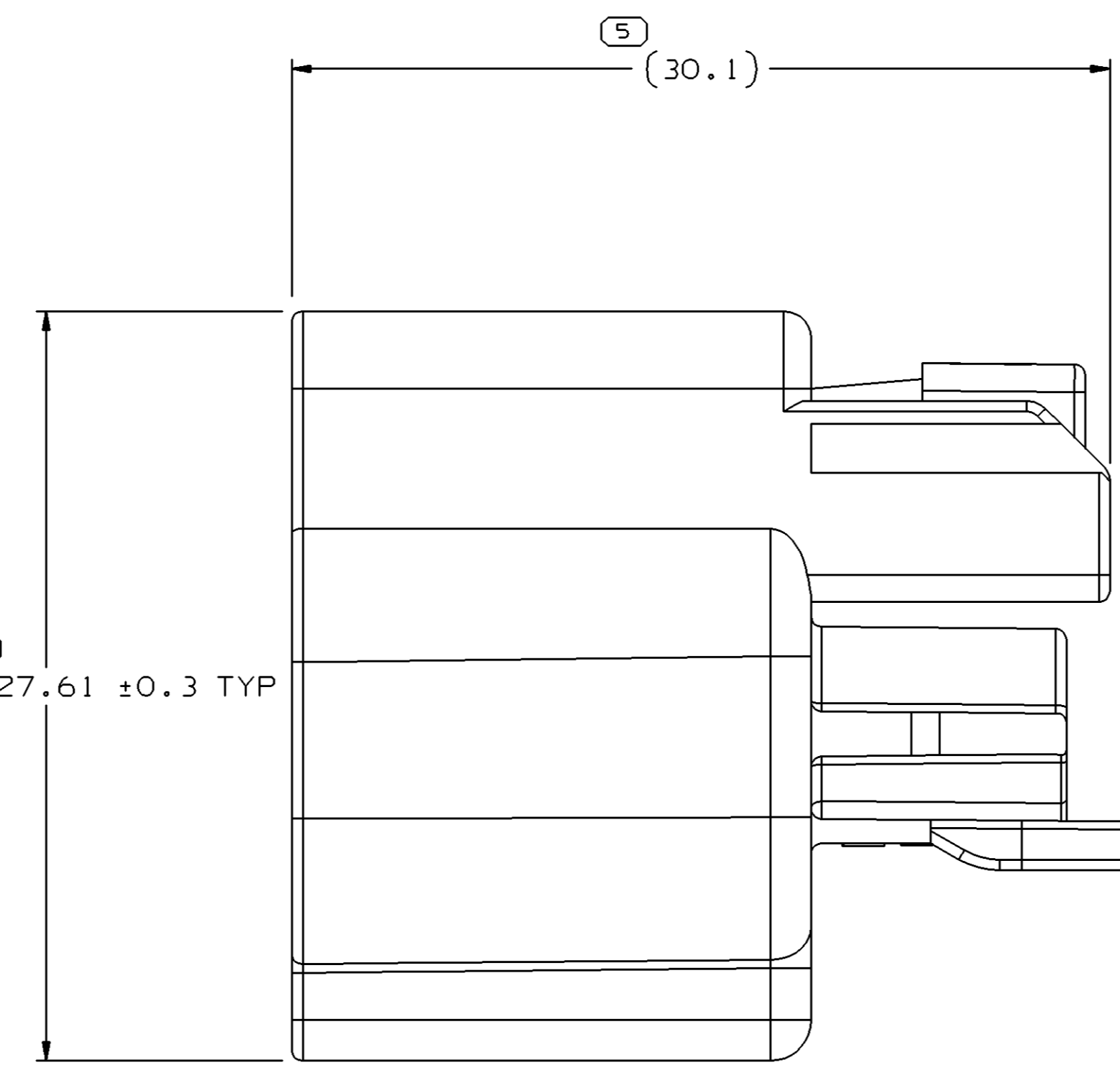
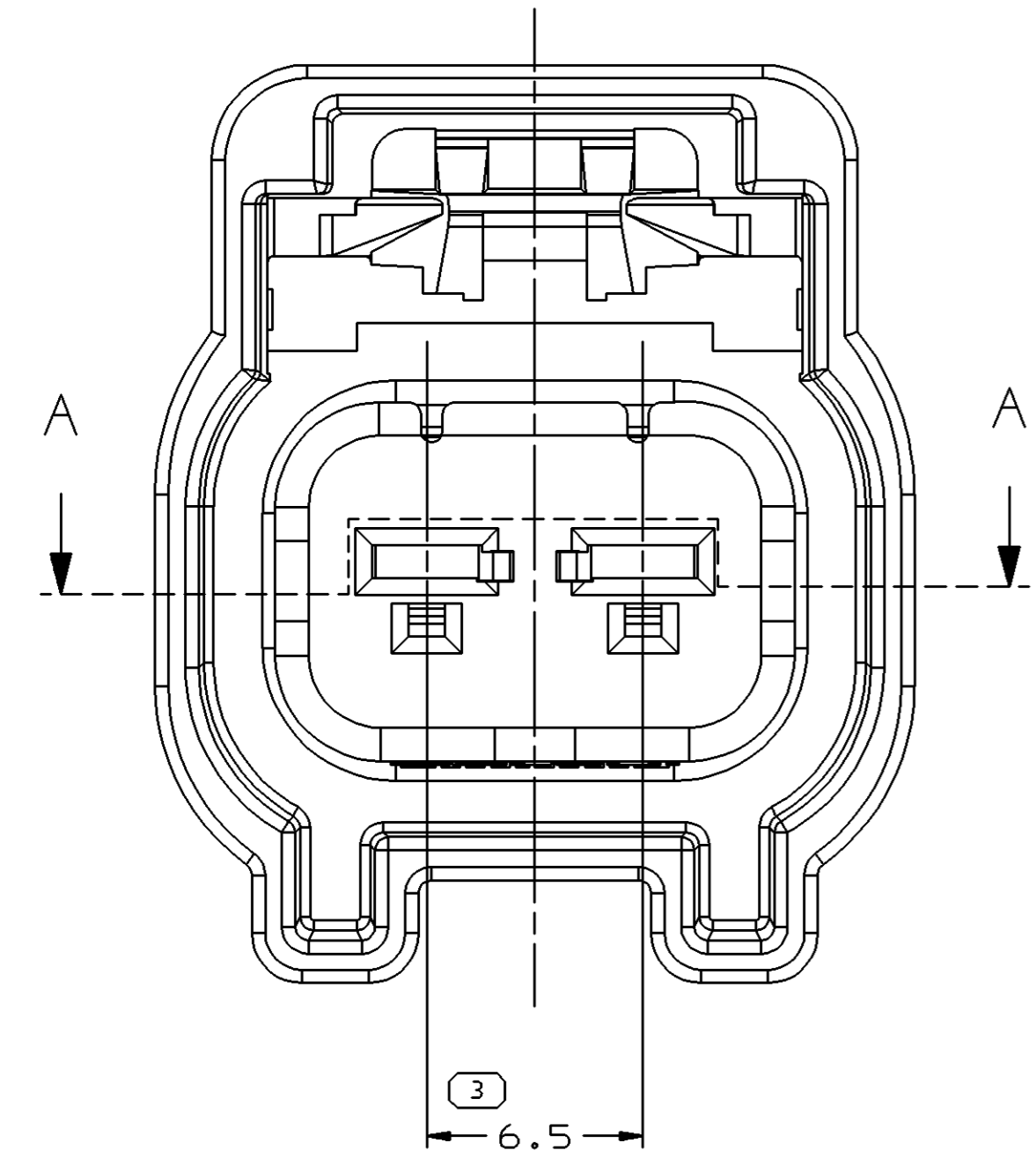
SYMBOL DEFINITION	
A DIMENSION WITHOUT AN INSPECTION REPORT SYMBOL DOES NOT REQUIRE INSPECTION. IT MAY BE CONTROLLED ON THE INDIVIDUAL COMPONENT DRAWING.	TOTAL NO OF INSPECTIONS REQUIRED
	6
	LAST NO. USED
	5

MISSING SYMBOLS	
NO MISSING SYMBOL NUMBER	

DWG STATUS					ZONE	REVISION HISTORY	AUTH	DR	APVD1	APVD2
DATE	STG	REV	N/P	CHG						
06DE04	R	01	-	-		WAS PE13B283 AND RELEASED	261646	JTV	FKV	AD
13DE04	R	01	AA			UPDATED CONNECTOR AND PLR	262365	JTV	FKV	AD
14DE04	R	01	AB			UPDATED CONNECTOR AND PLR, REMOVED CPA OF ASSEMBLY & REVISED NOTE #2	262460	JTV	FKV	AD
05JA05	R	01	AC	-		UPDATED CONNECTOR	262896	JTV	FKV	AD
25FE05	R	01	AD	-		22.8 ±0.7 WAS 22.83 AND 2X 27.61 ±0.3 TYP WAS 2X 27.61 TYP	265288	JTV	FKV	LJM
15MR05	R	02	-	-		UPDATED CONNECTOR	265691	JTV	FKV	LJM



SECTION A - A



NOTES

- UNLESS OTHERWISE SPECIFIED AND/OR INDICATED:
DIMENSIONS ARE TO FACE OF VIEW SHOWN AND AUTOMATICALLY ROUNDED BY COMPUTER FOR INSPECTION (SEE MATH MODEL FOR PRECISE DIMENSIONS). FOR ALL OTHER DIMENSIONS NOT SHOWN BUT REQUIRED FOR TOOL BUILD, SEE MATH MODEL FOR PRECISE TOOL PATH DATA.
- THIS PART ACCEPTS THE FOLLOWING COMPONENTS OR EQUIVALENT:
TERMINAL 15304718
CABLE SEAL 12191232
TERMINAL POSITION ASSURANCE LOCK 15430899
CONNECTOR POSITION ASSURANCE 15317832

DIMENSIONAL RANGE (MM)		CHART E1	
FROM	TO	TOLERANCE UNLESS OTHERWISE SPECIFIED	ANGULAR TOLERANCE ±2°
> 0	> 20	±0.15	
> 20	> 30	±0.2	
> 30	> 70	±0.3	
> 70	> 100	±0.4	
> 100	> 150	±0.5	
> 150	> 200	±0.6	
> 200	> 250	±0.8	
> 250	> 300	±1	
> 300	> 400	±1.2	

DWG TYPE PART DRAWING	
STYLE	
VOLUME (CM ³)	DISTR CODE D
UNLESS OTHERWISE SPECIFIED THIS DOCUMENT IS IN ACCORDANCE WITH ASME Y14.5M-1994 AS AMENDED BY THE GM GLOBAL DIMENSIONING AND TOLERANCING ADDENDUM-2001. SEPARATE PATTERNS OF FEATURES MAY BE GAGED SEPARATELY REGARDLESS OF DATUM REFERENCES.	
ALL DIMENSIONS ARE IN MILLIMETERS	
REFERENCE	
THIRD ANGLE PROJECTION	DO NOT SCALE
USE MATH DATA	UNIGRAPHICS

DELPHI
DELPHI PACKARD ELECTRIC SYSTEMS
WARREN, OH

DR	DATE
APVD1 JOSE LUIS TAPIA	06DE04
APVD2 FRANCISCO KOPCA	06DE04
APVD3 ALEX DEJENE	08DE04
APVD4	
APVD5	

SUBSTANCES OF CONCERN AND RECYCLED CONTENT PER DELPHI 10949001

MATERIAL SEE DRAWING

DRAWING NAME
ASM CONN 2 F GT 280 SLD

DRAWING NUMBER
13517352

SIZE A1	SCALE 5:1	FRAME NO 1 OF 1	SHEET NO 1 OF 1	STG R	REV 02	N/P -
------------	--------------	--------------------	--------------------	----------	-----------	----------

Mouser Electronics

Authorized Distributor

Click to View Pricing, Inventory, Delivery & Lifecycle Information:

[Aptiv:](#)

[13517352](#)