

MICROSWITCH
a Honeywell Division
FED. MFG. CODE 91929

**ASSEMBLY-
TOGGLE SWITCH 68AT303 SERIES CHART 2
CHART 2**

CATALOG LISTING

CATALOG LISTING

KEYWAY POSITION

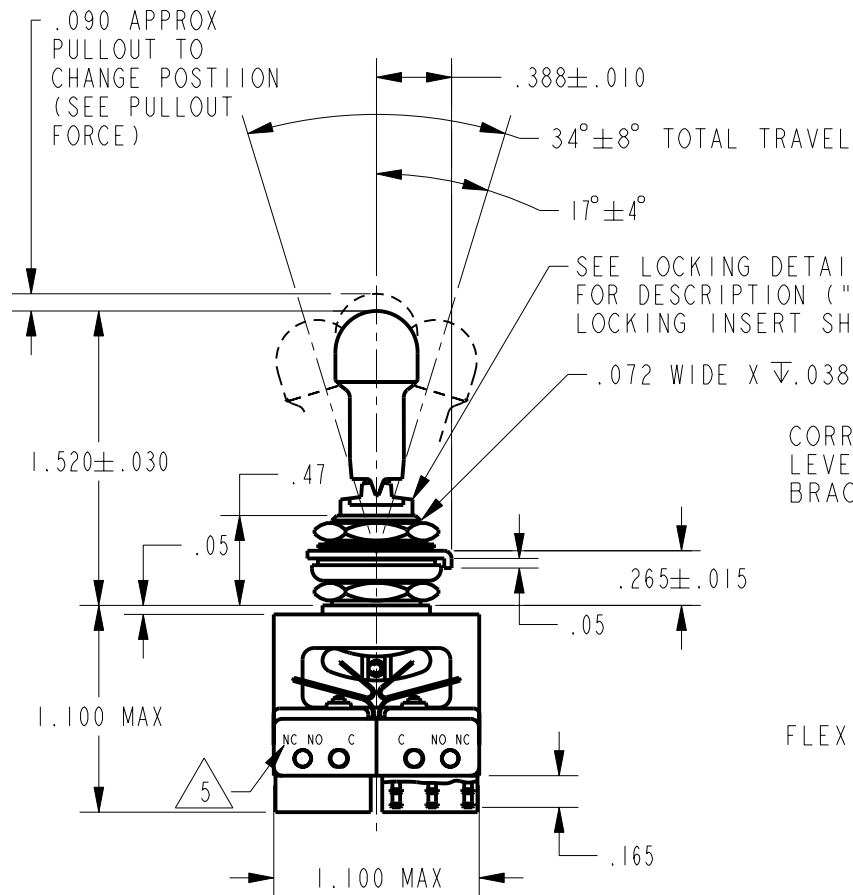
CENTER POSITION

OPPOSITE KEYWAY POSITION

RECOMMENDED LOCKING COMBINATIONS

CATALOG LISTING	KEYWAY POSITION		CENTER POSITION		OPPOSITE KEYWAY POSITION		RECOMMENDED LOCKING COMBINATIONS
	C - NC	C - NO	C - NO	C - NC	C - NC	C - NO	
68AT303-1	1, 2, 3, 4	5, 6, 7, 8	NONE	ALL	5, 6, 7, 8	1, 2, 3, 4	A,B,D,E,F,G,H,J,K,L,M,N,P
68AT303-3	1, 2, 3, 4	5, 6, 7, 8	NONE	NONE	5, 6, 7, 8	1, 2, 3, 4	D,F,G
68AT303-5	1, 2, 3, 4*	5, 6, 7, 8*	NONE	ALL	5, 6, 7, 8	1, 2, 3, 4	E,F,K,L,M,N
(A)	1, 2, 3, 4*	5, 6, 7, 8*	NONE	ALL	5, 6, 7, 8*	1, 2, 3, 4*	E,L,N

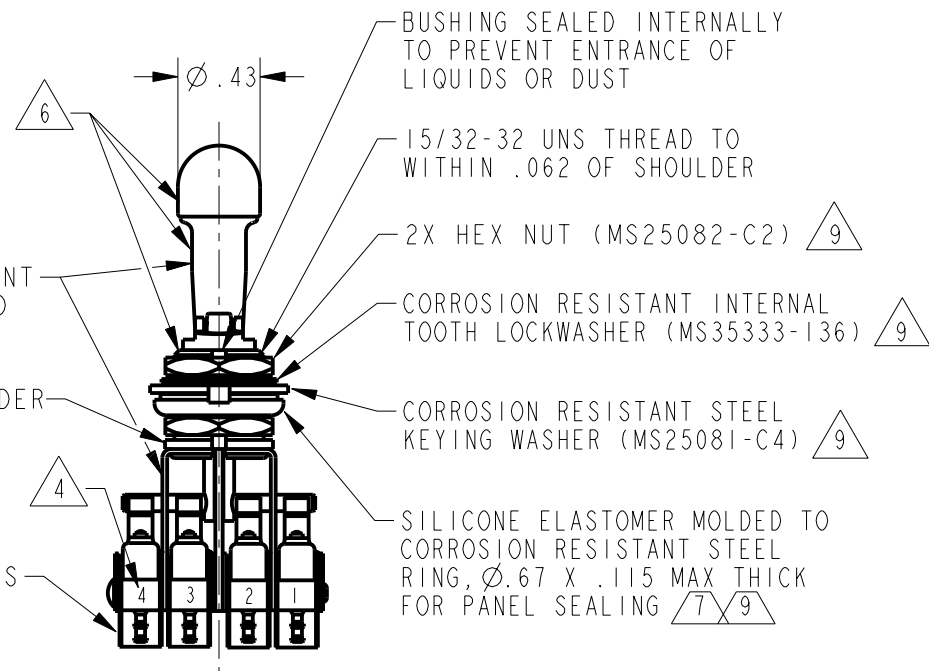
* ASTERISK DENOTES MOMENTARY POSITION



CORROSION RESISTANT LEVER, BUSHING AND BRACKET

∅.56 SHOULDER

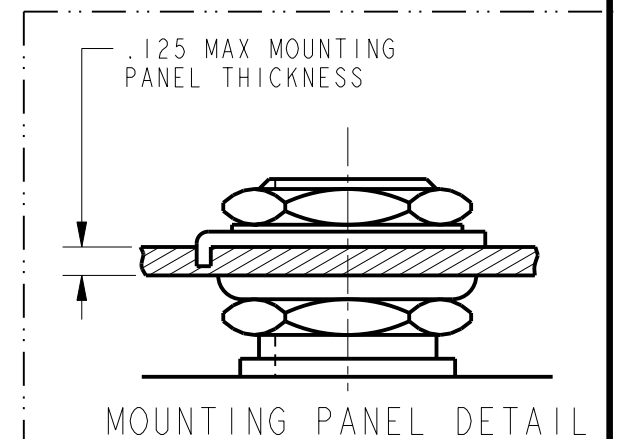
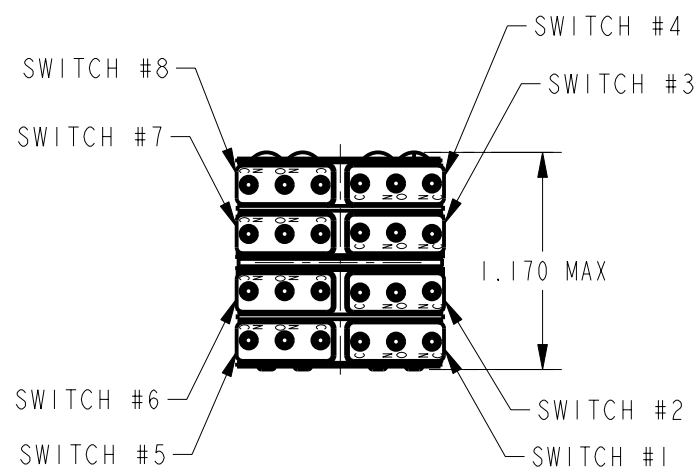
FLEXIBLE INSULATORS



NOTES

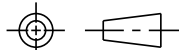
- 1 - UNIT INCLUDES 8X "SX" TYPE BASIC SWITCH (MEETS REQUIREMENTS OF MIL-PRF-8805/4)
- 2 - SWITCHES DO NOT NECESSARILY OPERATE SIMULTANEOUSLY
- 3 - TERMINALS ARE PLATED FOR SOLDERING
- 4 SWITCH NUMBERS STAMPED ON END OF BASIC SWITCHES
- 5 TERMINAL DESIGNATION STAMPED ON BOTH SIDES OF UNIT
- 6 DULL FINISH ON BUTTON, LEVER, AND BUSHING
- 7 FOR PANEL SEAL TO BE EFFECTIVE MOUNTING HOLE IN PANEL SHOULD NOT EXCEED ∅.500
- 8 SUFFIX LETTER MUST BE ADDED FOR DESIRED TYPE TOGGLE LOCKING (SEE CHART FOR RECOMMENDED LOCKING COMBINATIONS)
- 9 HARDWARE FURNISHED ASSEMBLED WITH SWITCH OR IN PACKET PER MIL-PRF-8805
- 10 - REPLACEMENT MOUNT HARDWARE PACKET 15PA314-AT

"A" 8 LOCKED IN THREE POSITIONS	"B" 8 LOCKED IN CENTER AND EXTREME POS. (KEYWAY SIDE)	"D" 8 LOCKED OUT OF CENTER POSITION	"E" 8 LOCKED IN CENTER POSITION
"F" 8 LOCKED IN EXTREME POS. (OPP. KEYWAY)	"G" 8 LOCKED IN EXTREME POS. (KEYWAY SIDE)	"H" 8 LOCKED OUT OF CENTER AND EXTREME POS. (KEYWAY SIDE)	"J" 8 LOCKED OUT OF CENTER AND EXTREME POS. (OPP. KEYWAY)
"K" 8 LOCKED IN CENTER AND EXTREME POS. (OPP. KEYWAY)	"L" 8 LOCKED OUT OF EXTREME POS. (KEYWAY SIDE)	"M" 8 LOCKED OUT OF AND INTO EXTREME POS. (OPP. KEYWAY)	"N" 8 LOCKED OUT OF EXTREME POS. (OPP. KEYWAY)
			"P" 8 LOCKED OUT OF AND INTO EXTREME POS. (KEYWAY SIDE)



THIS DRAWING COVERS A PROPRIETARY ITEM AND IS THE PROPERTY OF MICRO SWITCH, A DIVISION OF HONEYWELL. THIS DRAWING IS NOT TO BE COPIED OR USED WITHOUT THE APPROVAL OF MICRO SWITCH

THIRD ANGLE PROJECTION



CHARACTERISTICS

ELECTRICAL DATA

SCALE FULL

PULLOUT FORCE----3 LB MIN----5 LB MAX

CONTACT ARRANGEMENT
8X S P D T

DO NOT SCALE PRINT

UNLESS OTHERWISE SPECIFIED TOLERANCES ARE

ONE PLACE	(.0)	±.030
TWO PLACE	(.00)	±.015
THREE PLACE	(.000)	±.005
ANGLES		±

WEIGHT .09 LB EST.

ELECTRICAL RATINGS

LOAD	SEA LEVEL		50,000 FT
	28 Vdc (AMPERES)	115 Vac, 60 Hz (AMPERES)	28 Vdc (AMPERES)
RESISTIVE	7	7	4
INDUCTIVE	4	7	2.5

ANSI Y14.5M-1982 APPLIES

CATALOG LISTING 68AT303 SERIES CHART 2

PAGE 1 OF 1

ISSUE 3

REVISIONS

A	203356	G J W	28 JUN 01
B	206022	D L T	31 JUL 02

CHECK

28 JUN 01

CHECK

28 JUN 01

SAV

28 JUN 01

CHECK

28 JUN 01

REPLACES

PR-22129

RELEASE NO.

28 JUN 01

CHECK

28 JUN 01

SAV

28 JUN 01

CHECK

28 JUN 01

SAV

28 JUN 01

CHECK

28 JUN 01

PTC/CAD 2D

DRAWN

GJW

Mouser Electronics

Authorized Distributor

Click to View Pricing, Inventory, Delivery & Lifecycle Information:

[Honeywell:](#)

[68AT303-1A](#)