

PLEASE CHECK WWW.MOLEX.COM FOR LATEST PART INFORMATION

Part Number: [0638326000](#)
Status: **Active**
Description: Mini-Mac Applicator

Documents:

[RoHS Certificate of Compliance \(PDF\)](#)

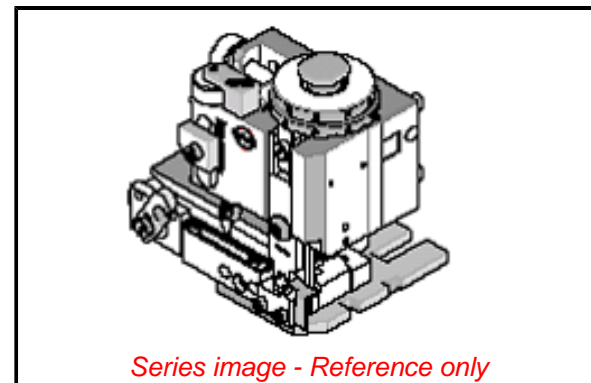
General

Product Family	Application Tooling
Series	207127
Comments	<p style="margin-top: 0; margin-bottom: 0">See Tooling Specification (PDF) Above<p style="margin-top: 0; margin-bottom: 0">This Terminator is set up to crimp male terminals<p style="margin-top: 0; margin-bottom: 0">To crimp Crimp
Function	Global
Geographic Area	Automatic, Semi-Automatic
Level of Automation	applicationtooling@molex.com
More Detailed Tech Information	Mini-Mac
Product Name	Applicator
Tool Type	800756645254
UPC	CAUTION: Molex tooling crimp specifications are valid only when used with Molex terminals and tooling manufactured by Molex and sold by Molex or authorized distributors ("Molex Tooling"). When using tooling other than Molex Tooling with Molex specific connector systems listed in our ATS documents, the Molex tooling qualification does not apply and the responsibility for full qualification of the connector system is that of the customer. Molex accepts no liability for connector performance or tooling support where tooling other than Molex Tooling is used or where Molex Tooling is modified.
Warranty Disclaimer	

Material Info

Reference - Drawing Numbers

Application Tooling Documents
 ATS-638326000, TM-638000100, TM-638000100SP, TM-638800000, TM-638800000SP



EU ELV

Not Reviewed

EU RoHS

Not Reviewed

REACH SVHC

Not Reviewed

Halogen-Free

Status

Not Reviewed

Need more information on product environmental compliance?

Email productcompliance@molex.com
 Please visit the [Contact Us](#) section for any non-product compliance questions.

China ROHS	Not Reviewed
ELV	Not Reviewed
RoHS Phthalates	Not Reviewed

Search Parts in this Series

[207127 Series](#)

Use With

Molex TM-3000: [63801-7200](#) , [63801-7300](#) , Molex TM-4000: [63801-7600](#) , Molex TM-2000: [63800-8300](#) , [63800-8400](#) , and Most Industry Standard Presses or Wire Process Machines

Mouser Electronics

Authorized Distributor

Click to View Pricing, Inventory, Delivery & Lifecycle Information:

[Molex:](#)

[63832-6000](#)