

THIS DRAWING IS UNPUBLISHED. RELEASED FOR PUBLICATION  
 © COPYRIGHT - By - ALL RIGHTS RESERVED.

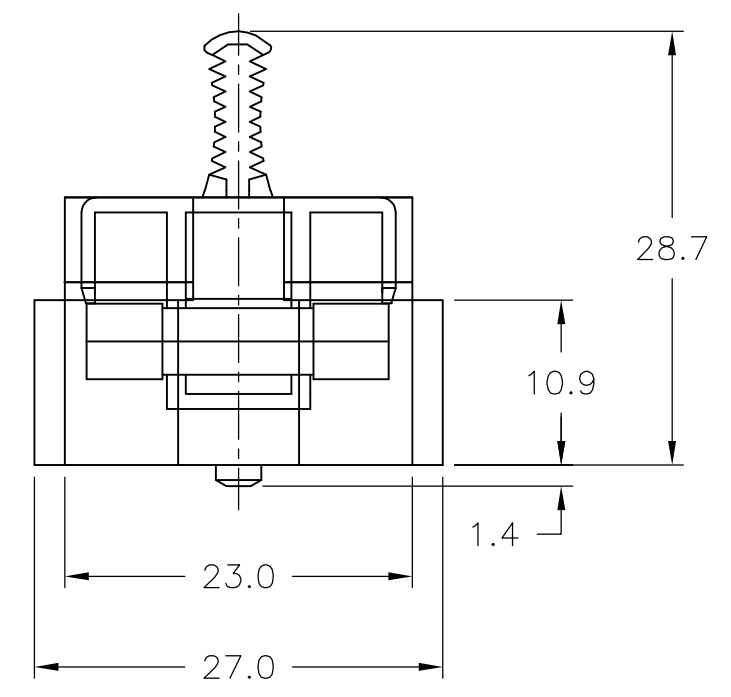
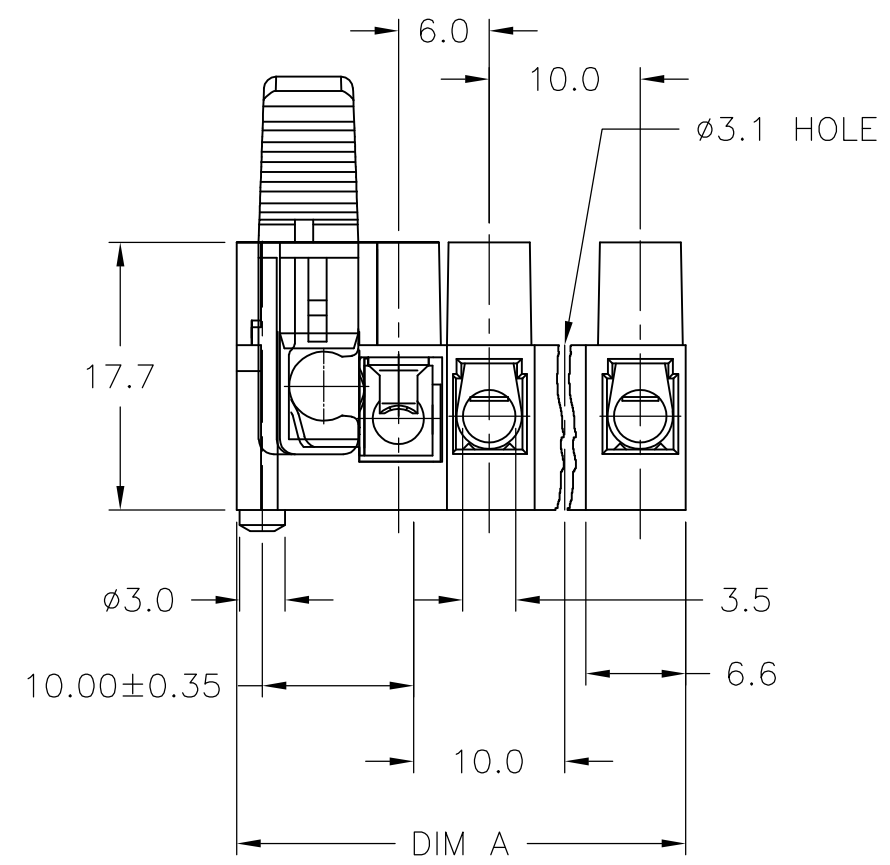
LOC	DIST	REVISIONS					
P	LTR	DESCRIPTION	DATE	DWN	APVD		
FT	0	P	P	REVISED PER ECO-11-005027	11MAR11	RK	HMR

**MATERIAL:**  
 HOUSING: POLYAMIDE 6/6, GRAY, HANDLE BLACK.  
 INSERTS: BRASS, TIN PLATED.  
 CONTACTS FOR FUSES: STAINLESS SPRING STEEL.  
 SCREWS: M3, STEEL, ZINC PLATED, NON-HEXAVALENT CHROMATE (CHROME III).

**VOLTAGE RATING:**  
 FUSE HOLDERS: 250V  
 TERMINAL BLOCKS: 400V

**CURRENT RATING:**  
 FUSE HOLDERS: 10A  
 TERMINAL BLOCKS: 16A

**WIRE RANGE:** 12-22 AWG




30.0	503SI/3EDS	2-1776301-3
DIM A	CATALOG NO.	PART NUMBER
WIRE PROTECTOR GROUNDED		

50.0	503SI/5E	1-1776301-5
40.0	503SI/4E	1-1776301-4
30.0	503SI/3E	1-1776301-3
DIM A	CATALOG NO.	PART NUMBER
TUNNEL CONNECTION GROUNDED		

50.0	503SI/5DS	1-1776301-0
40.0	503SI/4DS	1776301-9
30.0	503SI/3DS	1776301-8
20.0	503SI/2DS	1776301-7
14.3	503SI/1DS	1776301-6
DIM A	CATALOG NO.	PART NUMBER
WIRE PROTECTOR		

50.0	503SI/5	1776301-5
40.0	503SI/4	1776301-4
30.0	503SI/3	1776301-3
20.0	503SI/2	1776301-2
14.3	503SI/1	1776301-1
DIM A	CATALOG NO.	PART NUMBER
TUNNEL CONNECTION		

THIS DRAWING IS A CONTROLLED DOCUMENT.		DWN S SCHLEGEL 3/21/05	 TE Connectivity <b>FUSED TERMINAL BLOCK</b> 503SI					
DIMENSIONS: mm		CHK S YODER 3/21/05				NAME		
TOLERANCES UNLESS OTHERWISE SPECIFIED:		APVD S YODER 3/21/05				SIZE		
0 PLC ± - 1 PLC ± .3 2 PLC ± .25 3 PLC ± - 4 PLC ± - ANGLES ± -		PRODUCT SPEC				CAGE CODE		
MATERIAL		FINISH	APPLICATION SPEC	DRAWING NO		RESTRICTED TO		
-		-	WEIGHT	A3 00779 C-1776301		-		
CUSTOMER DRAWING			SCALE	SHEET	REV			
			NTS	1 OF 1	P			

# Mouser Electronics

Authorized Distributor

Click to View Pricing, Inventory, Delivery & Lifecycle Information:

[TE Connectivity:](#)

[1-1776301-0](#)