

PLEASE CHECK WWW.MOLEX.COM FOR LATEST PART INFORMATION

Part Number: [0444741411](#)
Status: **Active**
Overview: [minifit_plus_hcs](#)
Description: 4.20mm Pitch Mini-Fit® HCS™ Header, Dual Row, Vertical, Blind Mating, with Snap-in Plastic Peg PCB Lock, 14 Circuits, PA Polyamide Nylon 6/6 94V-2, without Drain Holes, Halogen Free

Documents:

[3D Model](#) [Product Specification PS-44476-001 \(PDF\)](#)
[Drawing \(PDF\)](#) [RoHS Certificate of Compliance \(PDF\)](#)

Agency Certification

CSA LR19980
 UL E29179

General

Product Family PCB Headers
 Series [44474](#)
 Application Board-to-Board, Power, Wire-to-Board
 Comments Square Pin|Solder Type
 Overview [minifit_plus_hcs](#)
 Product Name Mini-Fit® HCS

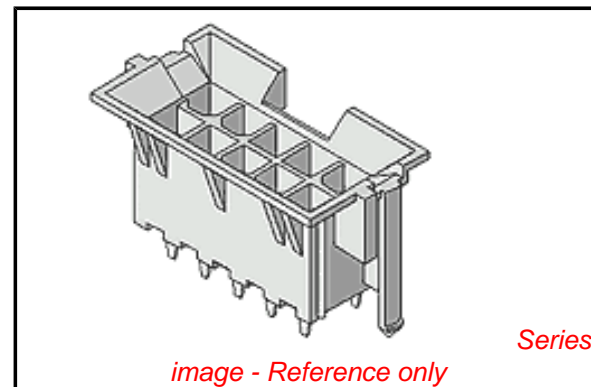
Physical

Breakaway No
 Circuits (Loaded) 14
 Circuits (maximum) 14
 Color - Resin Natural
 Durability (mating cycles max) 30
 Flammability 94V-2
 Glow-Wire Compliant Yes
 Material - Metal High Performance Alloy (HPA)
 Material - Plating Mating Tin
 Material - Plating Termination Tin
 Material - Resin Nylon
 Number of Rows 2
 Orientation Vertical
 PC Tail Length 3.50mm
 PCB Locator Yes
 PCB Retention Yes
 PCB Thickness - Recommended 1.80mm
 Packaging Type Tray
 Pitch - Mating Interface 4.20mm
 Plating min - Mating 2.540µm
 Plating min - Termination 2.540µm
 Polarized to PCB Yes
 Shrouded Fully
 Stackable No
 Surface Mount Compatible (SMC) No
 Temperature Range - Operating -40°C to +105°C
 Termination Interface: Style Through Hole

Electrical

Current - Maximum per Contact 11A
 Voltage - Maximum 600V

Solder Process Data



EU RoHS

ELV and RoHS Compliant
REACH SVHC Contains SVHC: No
Low-Halogen Status Low-Halogen

China RoHS



Need more information on product environmental compliance?

Email productcompliance@molex.com
 For a multiple part number RoHS Certificate of Compliance, [click here](#)

Please visit the [Contact Us](#) section for any non-product compliance questions.

Search Parts in this Series

44474Series

Mates With

42474 , 44475 , 44516 , 5557d

Duration at Max. Process Temperature (seconds)	5
Lead-free Process Capability	Wave Capable (TH only)
Max. Cycles at Max. Process Temperature	1
Process Temperature max. C	260

Material Info

Reference - Drawing Numbers

Product Specification	PS-44476-001, RPS-44476-001
Sales Drawing	SDA-44474-****

This document was generated on 01/23/2012

PLEASE CHECK WWW.MOLEX.COM FOR LATEST PART INFORMATION

Mouser Electronics

Authorized Distributor

Click to View Pricing, Inventory, Delivery & Lifecycle Information:

[Molex:](#)

[44474-1411](#) [44474-1441](#) [44474-0631](#) [44474-1041](#) [44474-0441](#) [44474-0431](#) [44474-2441](#) [44474-2431](#) [44474-1841](#) [44474-1831](#)