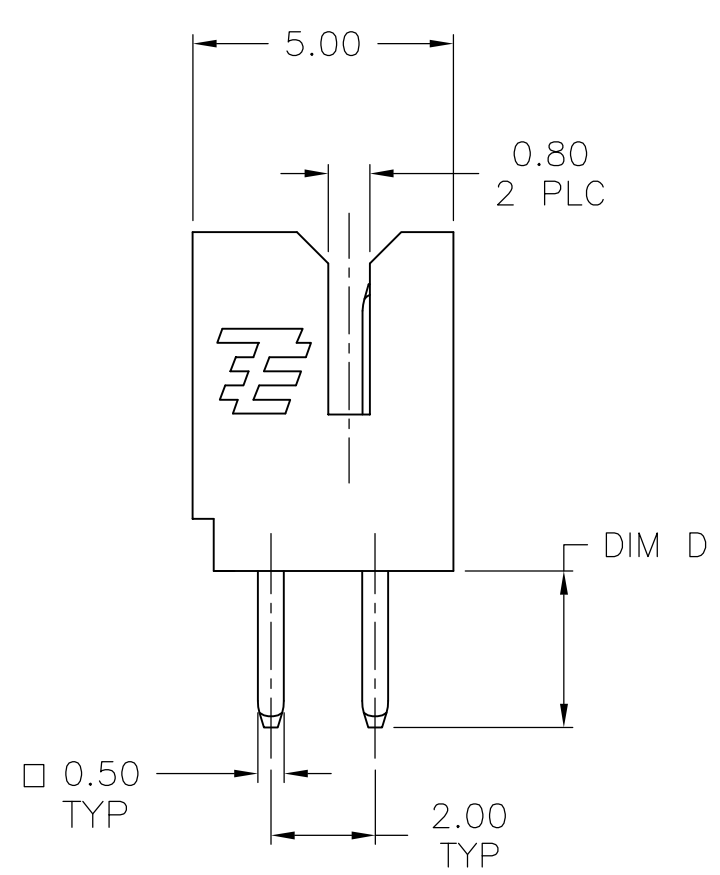
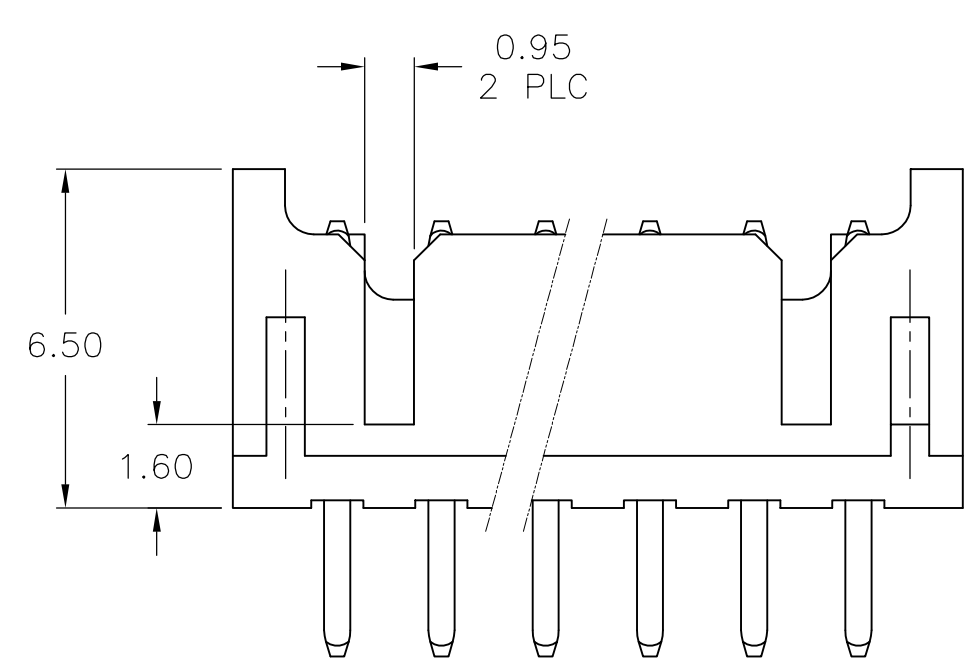
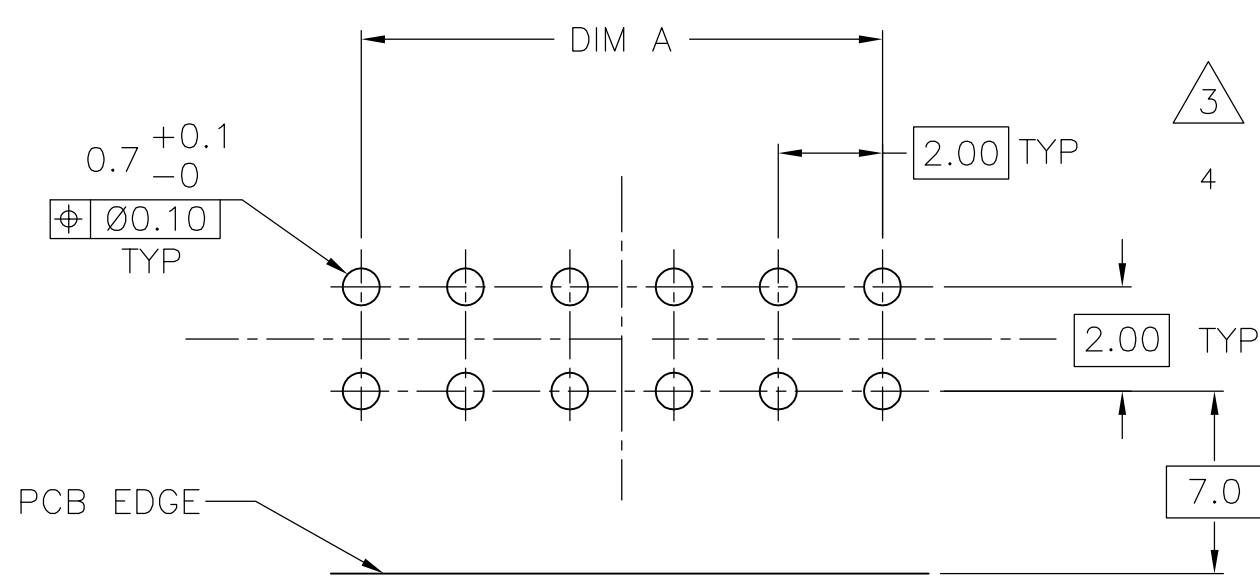
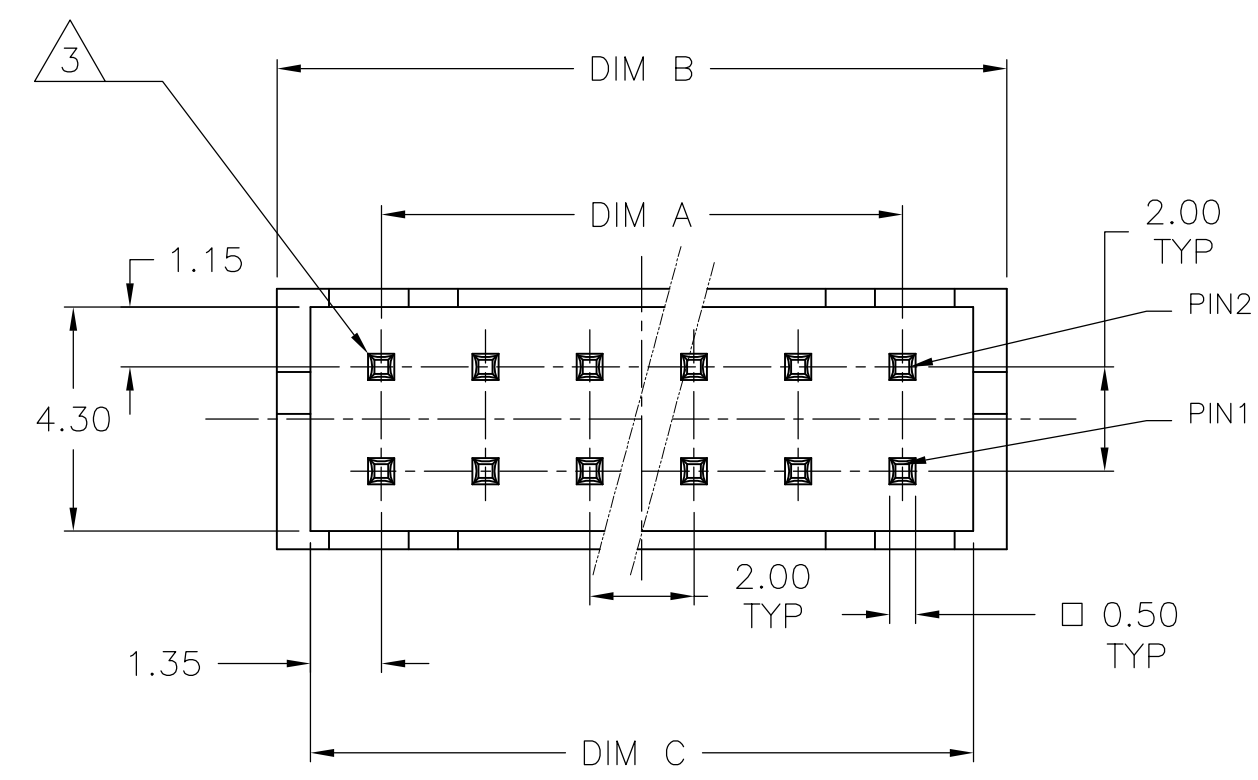


THIS DRAWING IS UNPUBLISHED. RELEASED FOR PUBLICATION
 © COPYRIGHT - By - ALL RIGHTS RESERVED.

| REVISIONS | | | | | |
|-----------|-----|---------------------------|-----------|-----|------|
| P | LTR | DESCRIPTION | DATE | DWN | APVD |
| E2 | | REVISED PER ECO-15-013423 | 24SEP2015 | NK | JO |

- MATERIAL:
HOUSING: NYLON66 UL94V-0, NATURAL COLOR.
CONTACT: BRASS, THICKNESS=0.20MM
- FINISH:
CONTACT: 100μ" MIN. BRIGHT TIN PLATED ON CONTACT AREA
30μ" MIN. NICKEL UNDERPLATED OVER ALL.
- NO PIN AT THIS POSITION.
- WAVE SOLDER CAPABLE TO 240°C PER TE CONNECTIVITY TEST SPEC. 109-202, CONDITION A.



| | | | | | | | |
|-------|---------------|-------|-------|-------|------|-------------|-----------|
| 3.00 | PIN 3&4 | 6.74 | 8.0 | 4.0 | 6 | 9-1470109-6 | |
| 2.40 | | 30.74 | 32.0 | 28.0 | 30 | 8- | -0 |
| | PIN 32 | 32.74 | 34.0 | 30.0 | 32 | 7- | -2 |
| | PIN 30 | 30.74 | 32.0 | 28.0 | 30 | 7- | -0 |
| | PIN 28 | 28.74 | 30.0 | 26.0 | 28 | 6- | -8 |
| | PIN 26 | 26.74 | 28.0 | 24.0 | 26 | 6- | -6 |
| | PIN 24 | 24.74 | 26.0 | 22.0 | 24 | 6- | -4 |
| | PIN 22 | 22.74 | 24.0 | 20.0 | 22 | 6- | -2 |
| | PIN 20 | 20.74 | 22.0 | 18.0 | 20 | 6- | -0 |
| | PIN 18 | 18.74 | 20.0 | 16.0 | 18 | 5- | -8 |
| | PIN 16 | 16.74 | 18.0 | 14.0 | 16 | 5- | -6 |
| | PIN 14 | 14.74 | 16.0 | 12.0 | 14 | 5- | -4 |
| | PIN 12 | 12.74 | 14.0 | 10.0 | 12 | 5- | -2 |
| | PIN 10 | 10.74 | 12.0 | 8.0 | 10 | 5- | -0 |
| | PIN 8 | 8.74 | 10.0 | 6.0 | 8 | 4- | -8 |
| | PIN 6 | 6.74 | 8.0 | 4.0 | 6 | 4- | -6 |
| | | 32.74 | 34.0 | 30.0 | 32 | 3- | -2 |
| | | 30.74 | 32.0 | 28.0 | 30 | 3- | -0 |
| | | 28.74 | 30.0 | 26.0 | 28 | 2- | -8 |
| | | 26.74 | 28.0 | 24.0 | 26 | 2- | -6 |
| | | 24.74 | 26.0 | 22.0 | 24 | 2- | -4 |
| | | 22.74 | 24.0 | 20.0 | 22 | 2- | -2 |
| | | 20.74 | 22.0 | 18.0 | 20 | 2- | -0 |
| | | 18.74 | 20.0 | 16.0 | 18 | 1- | -8 |
| | | 16.74 | 18.0 | 14.0 | 16 | 1- | -6 |
| | | 14.74 | 16.0 | 12.0 | 14 | 1- | -4 |
| | | 12.74 | 14.0 | 10.0 | 12 | 1- | -2 |
| | | 10.74 | 12.0 | 8.0 | 10 | 1- | -0 |
| | | 8.74 | 10.0 | 6.0 | 8 | | -8 |
| | | 6.74 | 8.0 | 4.0 | 6 | | 1470109-6 |
| DIM D | 3 OMITTED PIN | DIM C | DIM B | DIM A | POS. | PART NO. | |

THIS DRAWING IS A CONTROLLED DOCUMENT.

DWN: O. HU 27JUN2007
 CHK: S. HOU 27JUN2007
 APVD: W.J. KE 27JUN2007

TE Connectivity

NAME: 2.0MM PITCH HEADER, DIP, VERTICAL TYPE

PRODUCT SPEC: 108-57217

APPLICATION SPEC: -

WEIGHT: -

FINISH: -

MATERIAL: -

SIZE: A2 CAGE CODE: 00779 DRAWING NO: 1470109 RESTRICTED TO: -

CUSTOMER DRAWING SCALE: 7:1 SHEET: 1 of 2 REV: E2

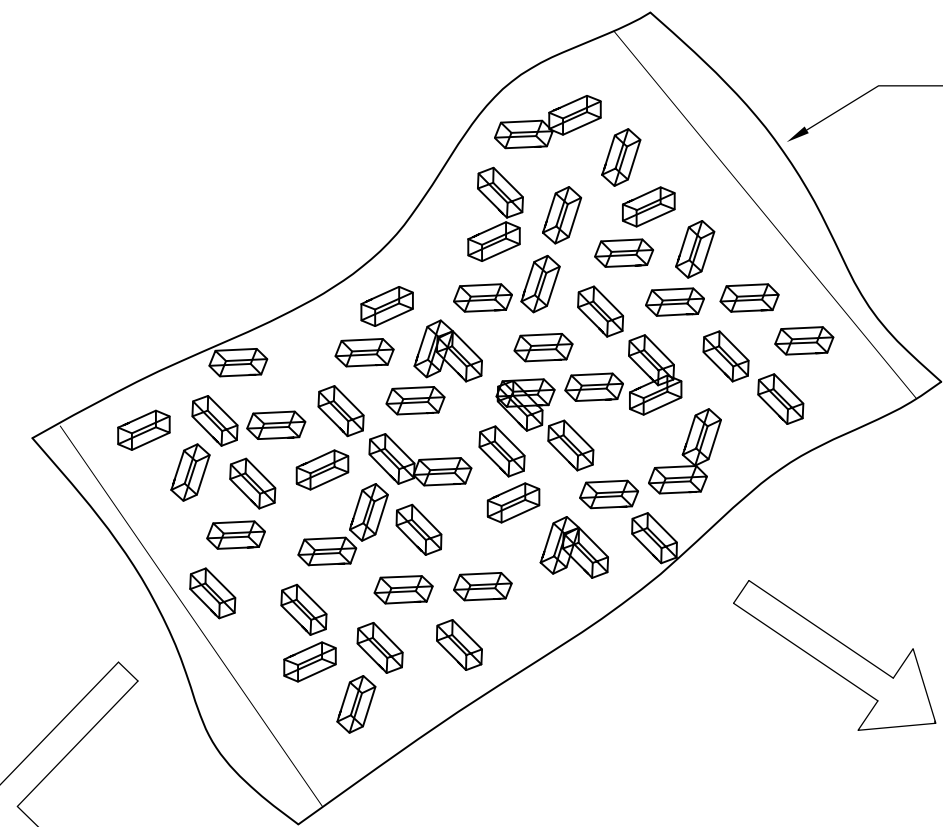
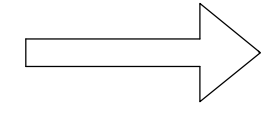
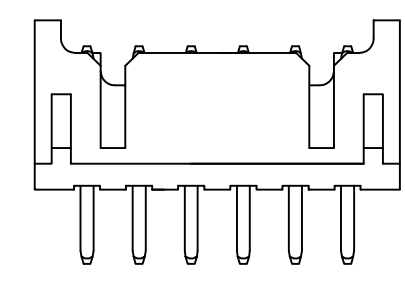
QUALIFICATION TEST REPORT
501-57218

THIS DRAWING IS UNPUBLISHED.
 RELEASED FOR PUBLICATION
 ALL RIGHTS RESERVED.

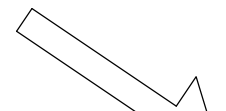
| REVISIONS | | | | | |
|-----------|-----|-------------|------|-----|------|
| P | LTR | DESCRIPTION | DATE | DWN | APVD |
| - | - | SEE SHEET 1 | - | - | - |

D

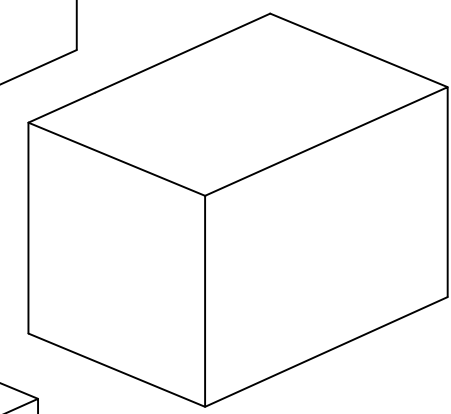
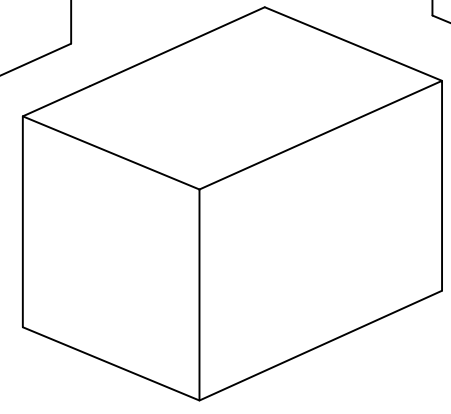
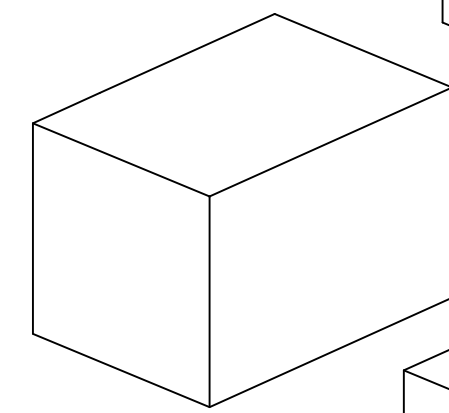
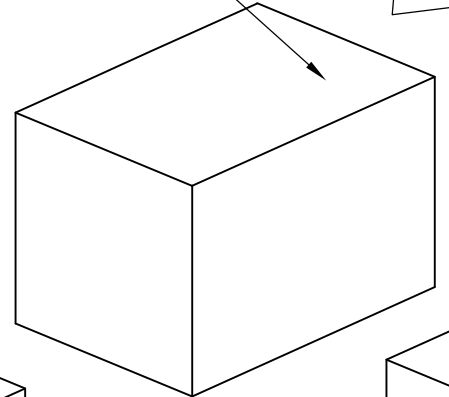
D



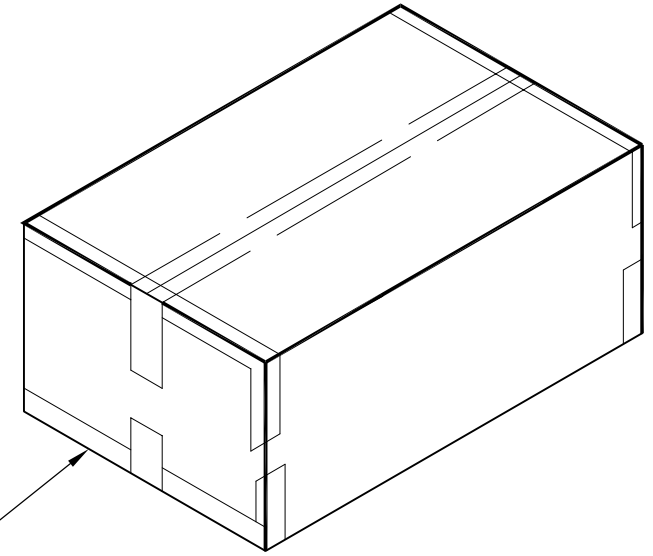
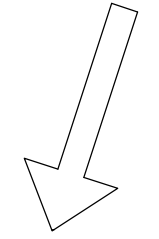
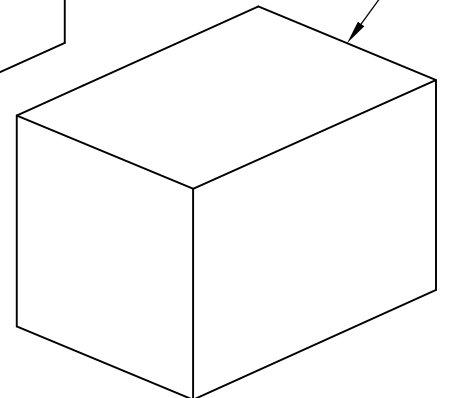
POLY BAG
 127mm(L)X 203mm(W)X0.07mm(H)



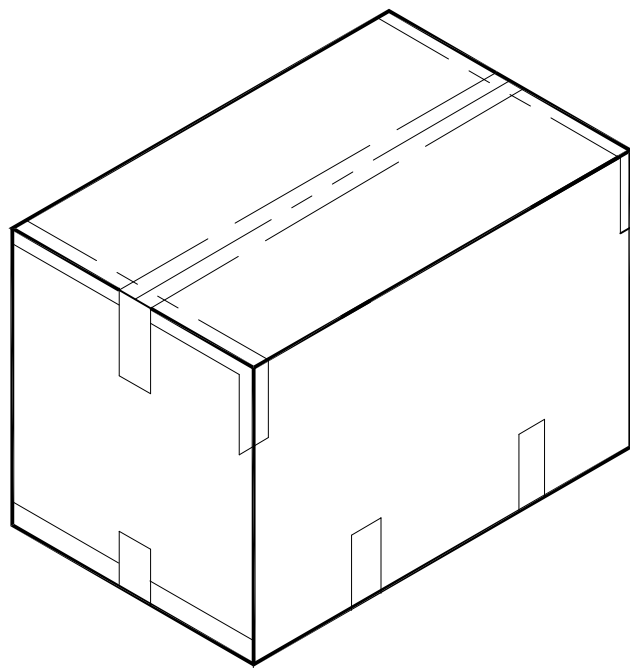
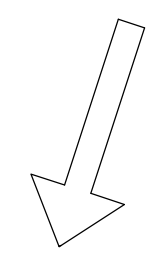
INEER BOX 320mm(L)X220mm
 (W)X155mm(H)



INEER BOX
 320mm(L)X220mm(W)X155mm(H)



CARTON
 340mm(L)X470mm(W)X178mm(H)
 (FOR HEADER 6P~10P ONLY)



CARTON
 340mm(L)X470mm(W)X365mm(H)
 (FOR HEADER 12P~32P ONLY)

| | | | |
|---------------------|------------------|-------------|-------------|
| 23,400 | 650 | | 9-1470109-6 |
| 10,240 | 160 | | 8-1470109-0 |
| 10,240 | 160 | 7-1470109-2 | 3-1470109-2 |
| 10,240 | 160 | 7-1470109-0 | 3-1470109-0 |
| 10,240 | 160 | 6-1470109-8 | 2-1470109-8 |
| 14,400 | 200 | 6-1470109-6 | 2-1470109-6 |
| 14,400 | 200 | 6-1470109-4 | 2-1470109-4 |
| 14,400 | 200 | 6-1470109-2 | 2-1470109-2 |
| 16,000 | 250 | 6-1470109-0 | 2-1470109-0 |
| 19,200 | 300 | 5-1470109-8 | 1-1470109-8 |
| 19,200 | 300 | 5-1470109-6 | 1-1470109-6 |
| 22,400 | 350 | 5-1470109-4 | 1-1470109-4 |
| 25,600 | 400 | 5-1470109-2 | 1-1470109-2 |
| 14,400 | 450 | 5-1470109-0 | 1-1470109-0 |
| 17,600 | 550 | 4-1470109-8 | 1470109-8 |
| 23,400 | 650 | 4-1470109-6 | 1470109-6 |
| APQ (POS/CARTON) | PPQ (POS/BAG) | | PART NO. |

1470109

B

B

A

A

THIS DRAWING IS A CONTROLLED DOCUMENT.

| | | | | |
|--|---------|-----------|---------------------|--|
| DWN | O. HU | 27JUN2007 | TE Connectivity | NAME 2.0MM PITCH HEADER, DIP, VERTICAL TYPE |
| CHK | S. HOU | 27JUN2007 | | |
| APVD | W.J. KE | 27JUN2007 | | |
| DIMENSIONS: | | | PRODUCT SPEC | SIZE |
| mm | | | APPLICATION SPEC | CAGE CODE |
| TOLERANCES UNLESS OTHERWISE SPECIFIED: | | | FINISH | DRAWING NO |
| 0 PLC | ± | - | WEIGHT | A2 00779 |
| 1 PLC | ± | - | CUSTOMER DRAWING | SCALE 7:1 |
| 2 PLC | ± | - | | SHEET 2 OF 2 |
| 3 PLC | ± | - | | REV E2 |
| 4 PLC | ± | - | | |
| ANGLES | ± | - | | |

Mouser Electronics

Authorized Distributor

Click to View Pricing, Inventory, Delivery & Lifecycle Information:

[TE Connectivity:](#)

[1470109-6](#)