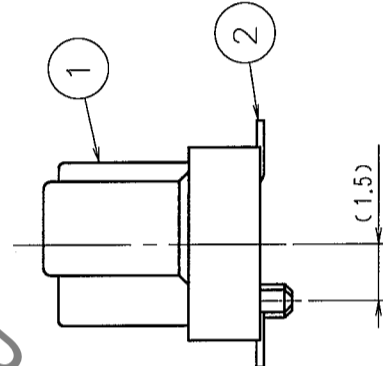
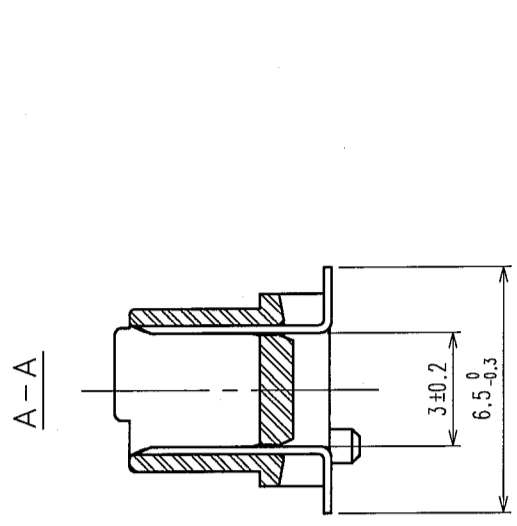
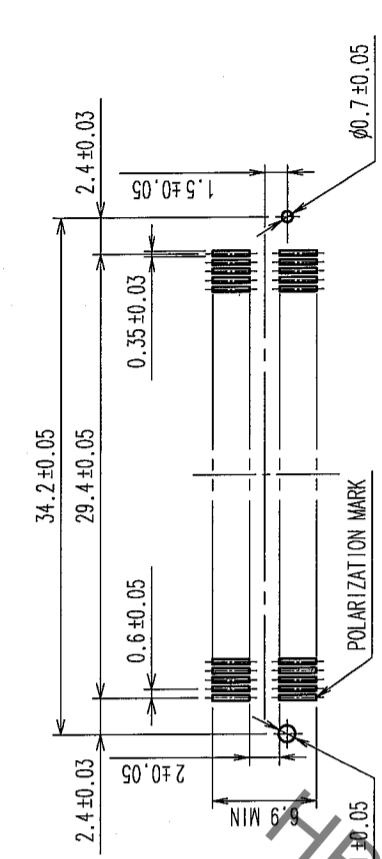
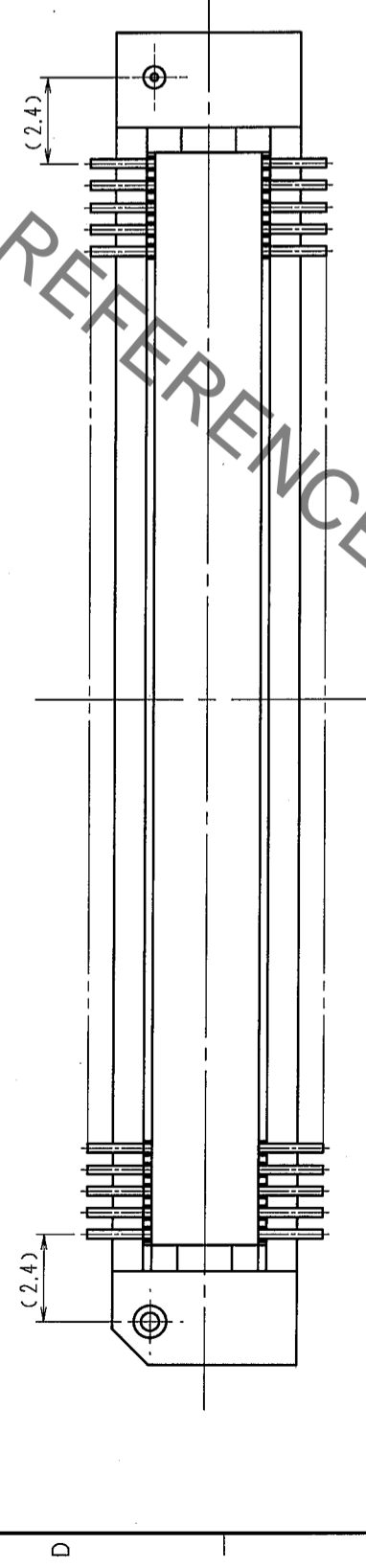
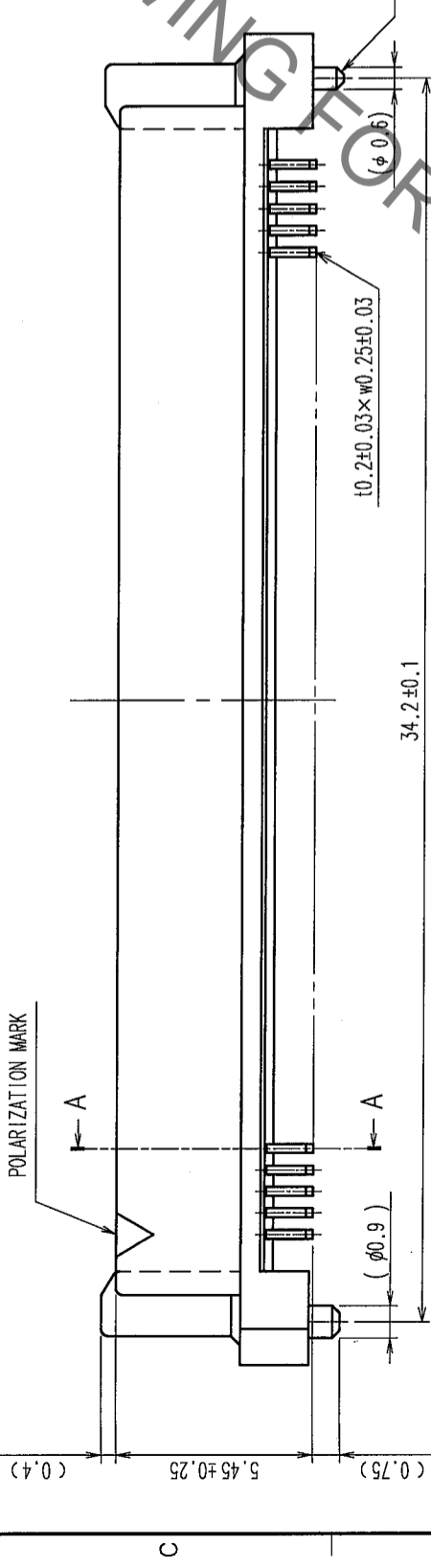
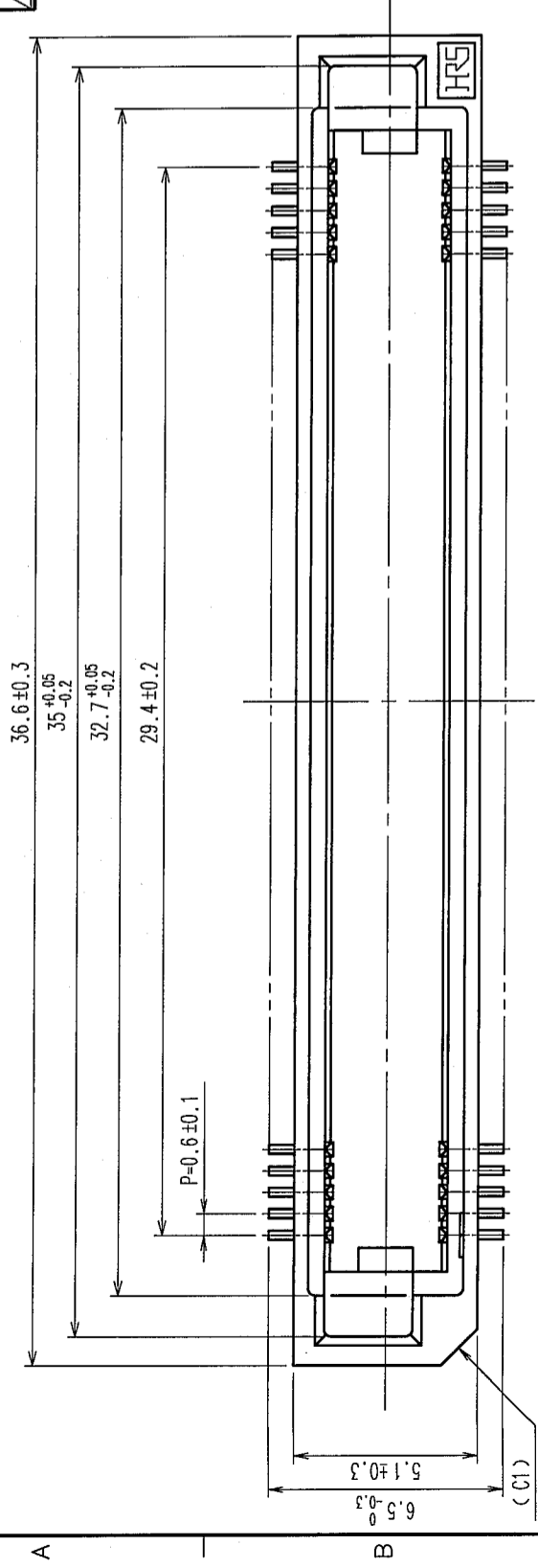


COUNT DESCRIPTION OF REVISIONS	BY	CHKD	DATE	COUNT DESCRIPTION OF REVISIONS	BY	CHKD	DATE
△							
△							
△							

RECOMMENDED LAND PATTERN DIMENSION OF PCB (MOUNTING SIDE) (2:1)



NOTE.  
 1. LEAD CO-PLANARITY SHALL BE 0.1mm MAX.  
 2. TUBE PACKAGING SHALL BE APPLIED FOR THIS PRODUCT.  
 SEE NEXT PAGE FOR DETAILS.  
 3. FOR MODIFICATION, ETC., PREVENTIVE HOLE FOR SINK MARK MAY BE ADDED ACCORDING TO CIRCUMSTANCES.  
 4. THE DIMENSIONS IN PARENTHESES ARE FOR REFERENCE.

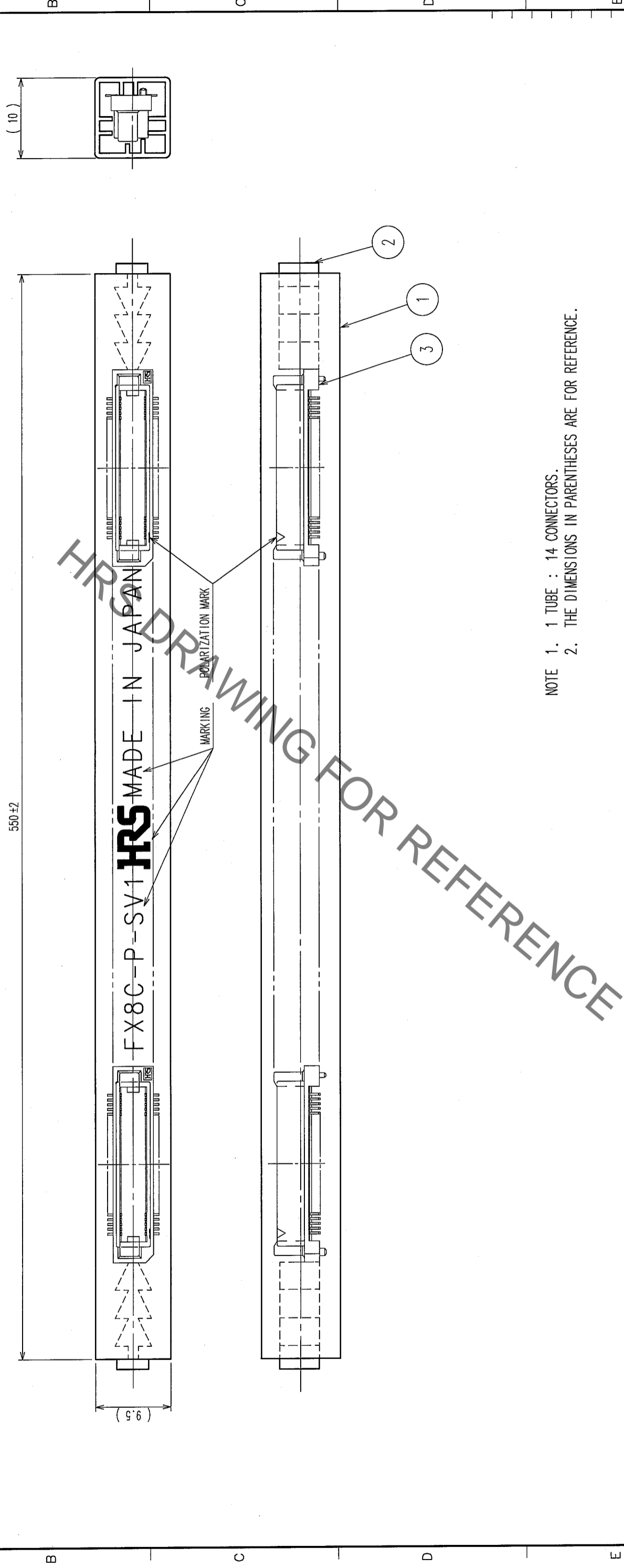


1	PPS	LIGHT BROWN (UL94V-0)	2	PHOSPHOR BRONZE	CONTACT AREA: GOLD 0.1μm min. LEAD AREA: TIN-PLATING 1μm min. UNDER PLATING: NICKEL 1μm min.
NO.	MATERIAL	FINISH, REMARKS	NO.	MATERIAL	FINISH, REMARKS
CODE NO. (COLD) CL			DRAWN K. NAKAMURA	DESIGNED K. NAKAMURA	CHECKED C. Ogawa
			05.12.16	05.12.16	05.12.16
DRAWING NO. EDC3-150833-21		PART NO. FX8C-100P-SV1(91)		APPROVED H. Okawa	
SCALE 5 : 1		CODE NO. CL578-0525-7-91		RELEASED	
UNITS mm		HIROSE ELECTRIC CO., LTD.		FORM NO. 229	

TO	
PCK	

2 In case of consideration for using Automotive equipment, device which demand high reliability, kindly contact our saleswindow correspondents.

COUNT	DESCRIPTION OF REVISIONS	BY	CHKD	DATE	COUNT	DESCRIPTION OF REVISIONS	BY	CHKD	DATE
△					△				
△					△				
△					△				



NOTE 1. 1 TUBE : 14 CONNECTORS.  
 2. THE DIMENSIONS IN PARENTHESES ARE FOR REFERENCE.

2 POLYVINYL CHLORIDE (STOPPER)		3 (CONNECTOR)	
NO.	MATERIAL	FINISH, REMARKS	FINISH, REMARKS
1	POLYVINYL CHLORIDE	(TUBE)	

CODE NO. (OLD)	CL	DRAWN	DESIGNED	CHECKED	APPROVED	RELEASED
		K. NAKAMURA	K. NAKAMURA	J.C. Ogawa	H. Kawa	
		05.12.16	05.12.16	05.12.16	05.12.16	

DRAWING NO.	PART NO.
EDC3-150833-21	FX8C-100P-SV1 (91)

SCALE	UNITS	CODE NO.
FREE	mm	CL578-0525-7-91

TO	
PCK	