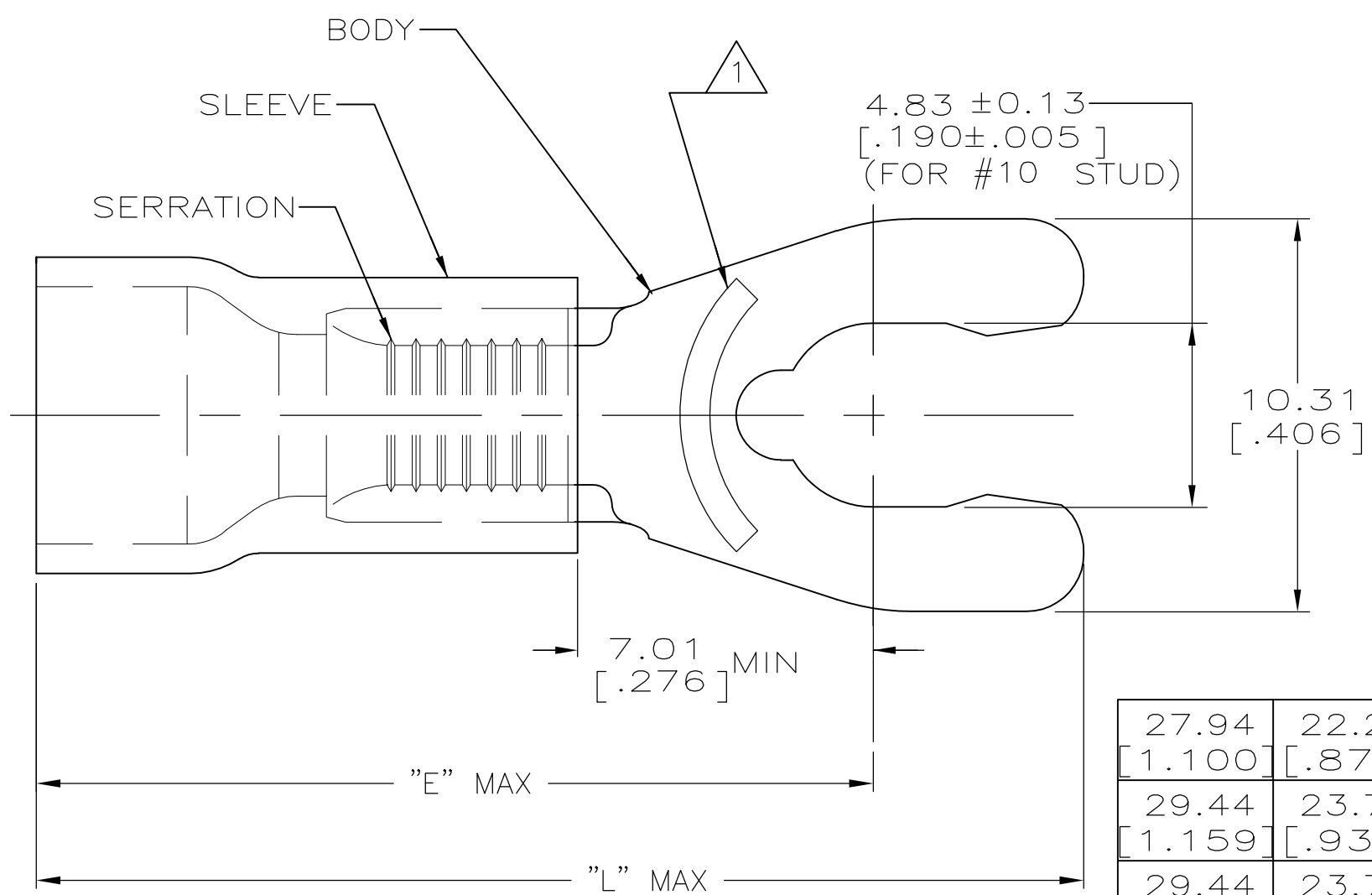


THIS DRAWING IS UNPUBLISHED. RELEASED FOR PUBLICATION
 © COPYRIGHT - By - ALL RIGHTS RESERVED.

| LOC | DIST | REVISIONS | | | | | |
|-----|------|-----------|-----|---------------------------|---------|-----|------|
| G | 14 | P | LTR | DESCRIPTION | DATE | DWN | APVD |
| | | | T3 | REVISED PER ECO-11-004917 | 11MAR11 | RK | HMR |



| | | |
|--------------------------------|-----------------------|--------------------------------|
| AMP WIRE RANGE | Listed FILE E13288 | LR7189 Certified |
| 12-10 AWG SOLID OR STRANDED | 12 AWG STRANDED | 12-10 AWG SOLID OR STRANDED |

- ① STAMP 10S AMP 12-10*APPROX AS SHOWN
- 2. SEE TABLE FOR WIRE INSUL DIA
- 3. TONGUE MATL THK, 1.02±0.05 [.040±.002]
- ④ MATERIAL: BODY - BRASS PER ASTM B36
SLEEVE - PVC, COLOR - YELLOW

| | | | | | |
|------------------|-----------------|--------------------------|------|------------------|-----------|
| 27.94 [1.100] | 22.28 [.877] | 3.81-6.35 [.150-.250] | 50 | LOOSE PIECE, BOX | 8-52963-2 |
| 29.44 [1.159] | 23.77 [.936] | 6.35-7.62 [.250-.300] | 1500 | ON TAPE, REEL | 52963-5 |
| 29.44 [1.159] | 23.77 [.936] | 6.35-7.62 [.250-.300] | 500 | LOOSE PIECE | 52963-4 |
| 27.94 [1.100] | 22.28 [.877] | 3.81-6.35 [.150-.250] | 2500 | ON TAPE, REEL | 52963-3 |
| 27.94 [1.100] | 22.28 [.877] | 3.81-6.35 [.150-.250] | 500 | LOOSE PIECE | 52963-2 |
| 27.94 [1.100] | 22.28 [.877] | 2.67-5.08 [.105-.200] | 2500 | ON TAPE, REEL | 52963-1 |
| 27.94 [1.100] | 22.28 [.877] | 2.67-5.08 [.105-.200] | 500 | LOOSE PIECE | 52963 |
| L | E | WIRE INSUL DIA | QTY | PACKAGE TYPE | PART NO |

| | | | | | | | | | |
|--|--|---|--|---|----------------------------|---|--------------------|-----------------------|--------------------|
| AMP INCORPORATED CUSTOMER SERVICE SYSTEMS | | MAX RECOMMENDED OPERATING TEMPERATURE: 105°C [221°F] | THIS DRAWING IS A CONTROLLED DOCUMENT. | | DWN L OLMEDA 26JUN95 | TE Connectivity | | | |
| FOR ADDITIONAL PRODUCT INFORMATION OR COPIES OF DRAWINGS AND TECHNICAL DOCUMENTS | PRODUCT INFORMATION CENTER 1-800-522-6752 | VOLTAGE RATING: 600V MAX (1000V FIXTURE OR SIGN) | DIMENSIONS: mm [INCHES] | TOLERANCES UNLESS OTHERWISE SPECIFIED: | CHK M ELLIS 26JUN95 | | | NAME | |
| FOR APPLICATION TOOLING INFORMATION | TOOLING ASSISTANCE CENTER 1-800-722-1111 | CIRCULAR MIL AREA: 2.62-6.64mm² [5,180-13,100] SOLID OR STRANDED | | 0 PLC ± - 1 PLC ± - 2 PLC ± 0.20 [.008] 3 PLC ± - 4 PLC ± - ANGLES ± - | APVD G NGO 26JUN95 | TERMINAL, SPRING SPADE, SHORT, PLASTI-GRIP WIRE SIZE: 12-10 AWG | | | |
| FOR ORDER ENTRY | 1-800-526-5142 | THIS DRAWING IS A CONTROLLED DOCUMENT FOR AMP INCORPORATED. IT IS SUBJECT TO CHANGE AND THE CONTROLLING ENGINEERING ORGANIZATION SHOULD BE CONTACTED FOR THE LATEST REVISION. | MATERIAL ④ | FINISH TIN PER ASTM B545 | PRODUCT SPEC UL 486A | SIZE A3 | CAGE CODE 00779 | DRAWING NO C-52963 | RESTRICTED TO - |
| | | | CUSTOMER DRAWING | | WEIGHT - | SCALE 6:1 | SHEET 1 OF 1 | REV T3 | |

Mouser Electronics

Authorized Distributor

Click to View Pricing, Inventory, Delivery & Lifecycle Information:

[TE Connectivity:](#)

[52963-1](#) [52963-5](#)