

4

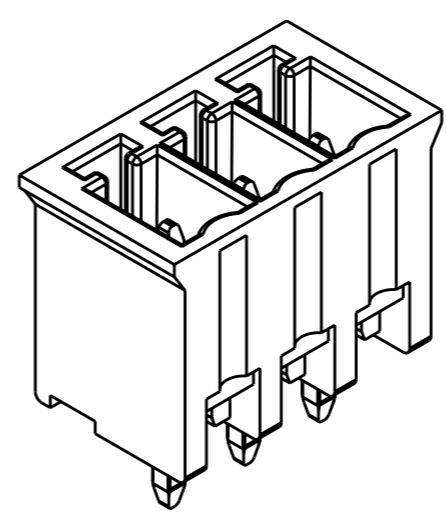
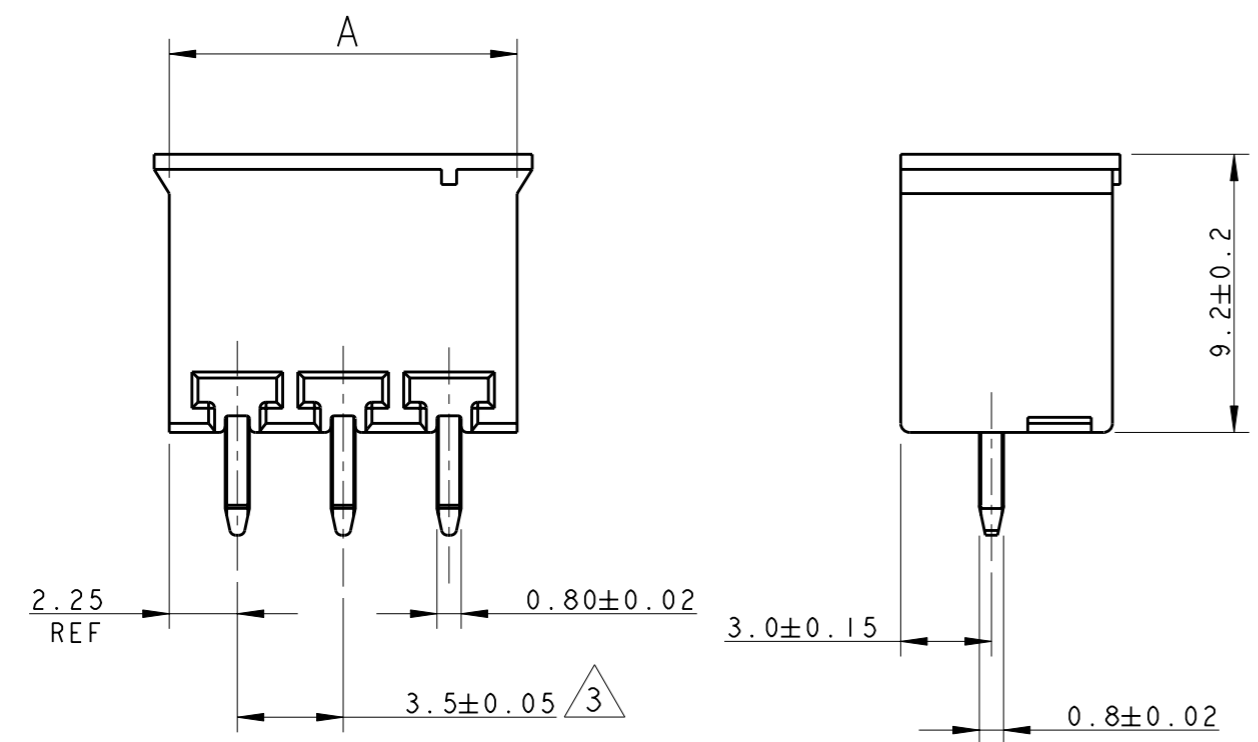
3

2

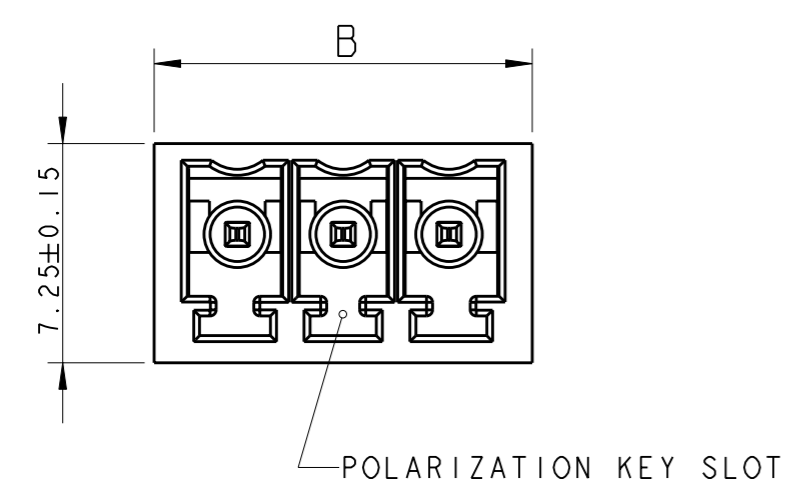
1

THIS DRAWING IS UNPUBLISHED. RELEASED FOR PUBLICATION 20
 © COPYRIGHT 20 BY - ALL RIGHTS RESERVED.

LOC	DIST	REVISIONS			
P	LTR	DESCRIPTION	DATE	DWN	APVD
FT	0	C3	REVISED PER ECO-11-005027	15MAR2011	RK HMR

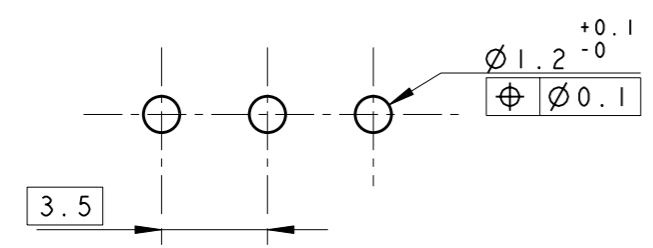


284514-3 AS SHOWN



- 1 MATERIALS AND FINISH
 HOUSING : PA 6.6, UL 94-V0, COLOR GREEN
 TERMINAL : PHOSPHOR BRONZE, SEE TABLE
- 2 SUITABLE FOR 1.6-2.4 mm. PC BOARD THICKNESS
- 3 NOT CUMULATIVE TOLERANCE
- 4 PRELIMINARY PART NUMBER

4	AU	FL				
TIN	89.5	88.5	25	2-284514-5		
TIN	86.0	85.0	24	2-284514-4		
TIN	82.5	81.5	23	2-284514-3		
TIN	79.0	78.0	22	2-284514-2		
TIN	75.5	74.5	21	2-284514-1		
TIN	72.0	71.0	20	2-284514-0		
TIN	68.5	67.5	19	1-284514-9		
TIN	65.0	64.0	18	1-284514-8		
TIN	61.5	60.5	17	1-284514-7		
TIN	58.0	57.0	16	1-284514-6		
TIN	54.5	53.5	15	1-284514-5		
TIN	51.0	50.0	14	1-284514-4		
TIN	47.5	46.5	13	1-284514-3		
TIN	44.0	43.0	12	1-284514-2		
TIN	40.5	39.5	11	1-284514-1		
TIN	37.0	36.0	10	1-284514-0		
TIN	33.5	32.5	9	284514-9		
TIN	30.0	29.0	8	284514-8		
TIN	26.5	25.5	7	284514-7		
TIN	23.0	22.0	6	284514-6		
TIN	19.5	18.5	5	284514-5		
TIN	16.0	15.0	4	284514-4		
TIN	12.5	11.5	3	284514-3		
TIN	9.0	8.0	2	284514-2		
PLATING	B	A	NO OF POSN	PART NUMBER		



RECOMMENDED PC BOARD LAYOUT

THIS DRAWING IS A CONTROLLED DOCUMENT.		DWN E. ZANOLINI 06FEB2002	TE Connectivity	
DIMENSIONS: mm		CHK E. ZANOLINI 06FEB2002		
TOLERANCES UNLESS OTHERWISE SPECIFIED:		APVD D. BIEVENOUR 06FEB2002	NAME	
0 PLC ±-		PRODUCT SPEC 108-20166	TERMINAL BLOCK, HEADER ASSEMBLY	
1 PLC ±.3		APPLICATION SPEC 114-20079	STRAIGHT, CLOSED ENDS	
2 PLC ±.25		WEIGHT -	SIZE A3	CAGE CODE 00779
3 PLC ±-		CUSTOMER DRAWING	DRAWING NO C-284514	RESTRICTED TO -
4 PLC ±-			SCALE 4:1	SHEET 1 OF 1
ANGLES ±2				REV C3
MATERIAL	FINISH			

Mouser Electronics

Authorized Distributor

Click to View Pricing, Inventory, Delivery & Lifecycle Information:

[TE Connectivity:](#)

[284514-8](#)