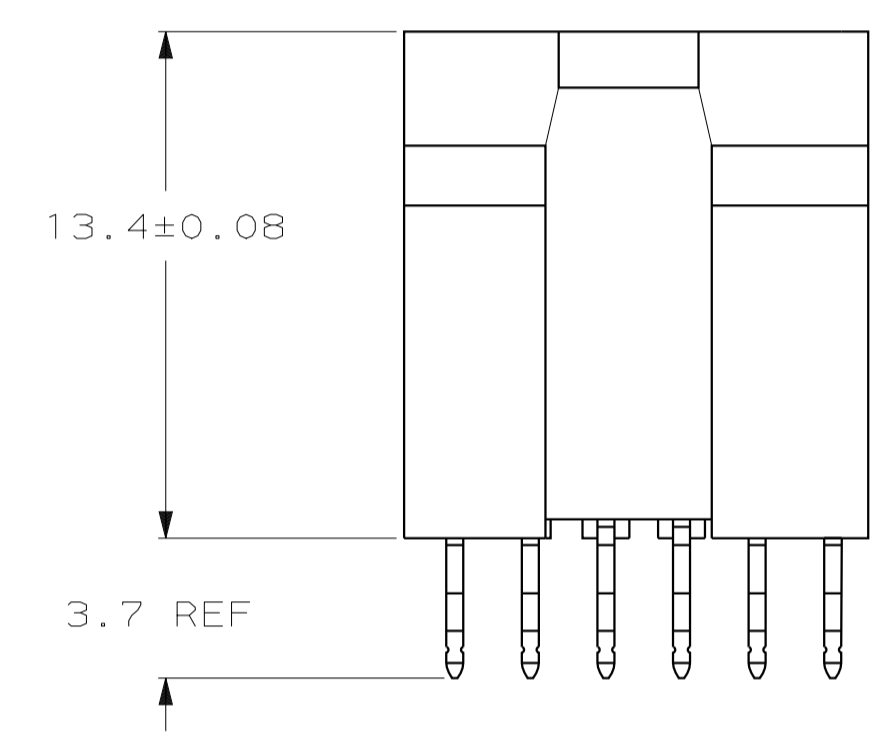
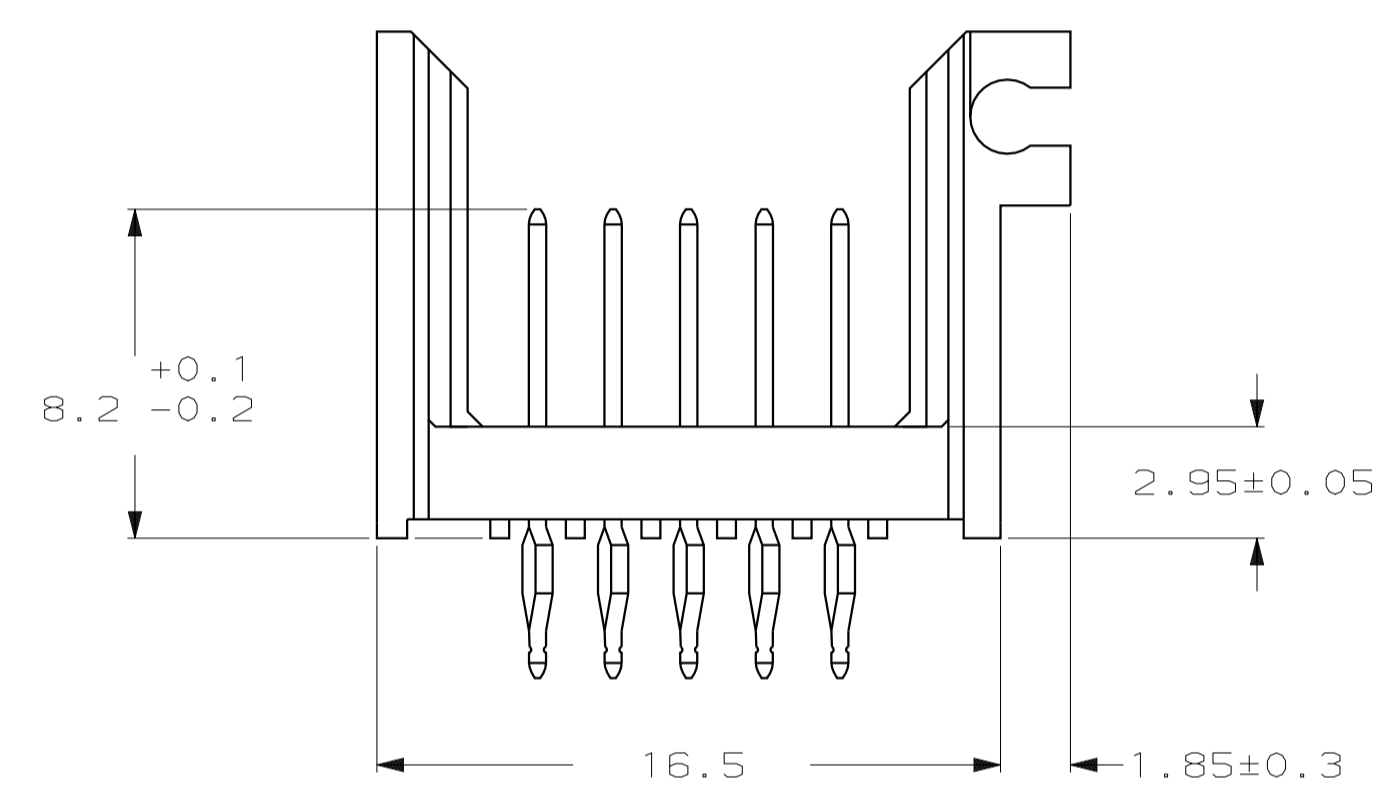
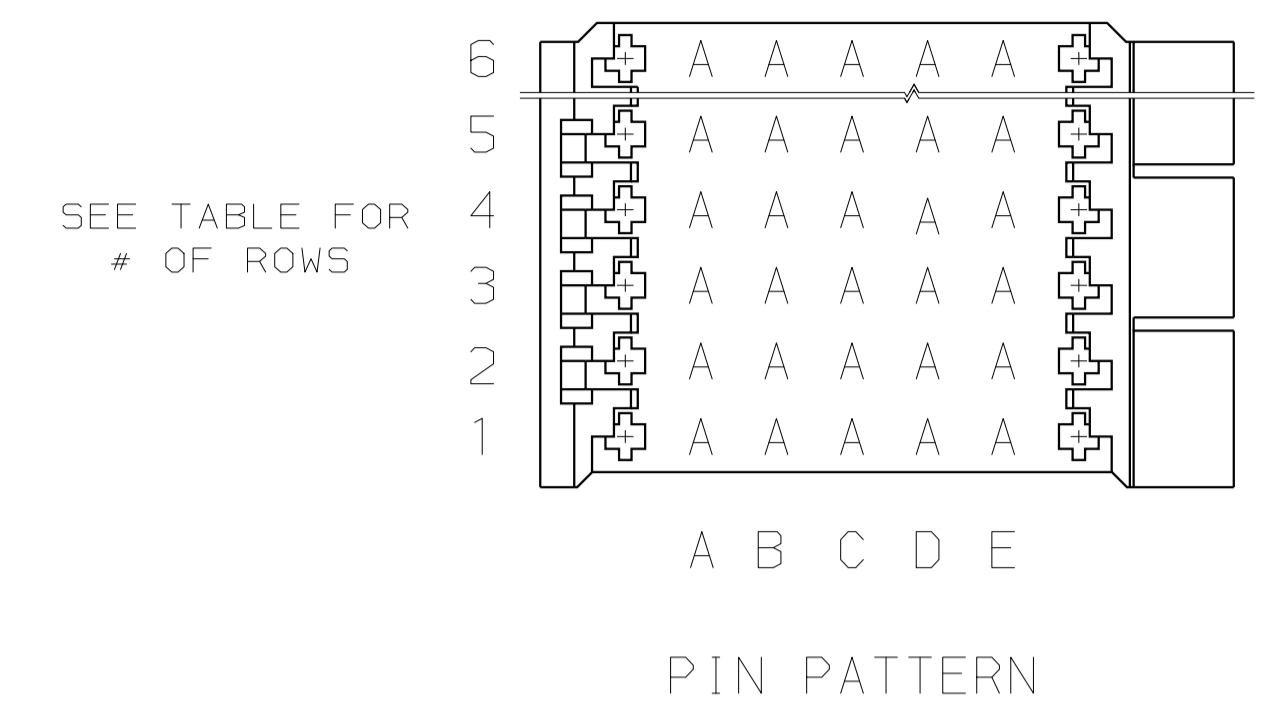
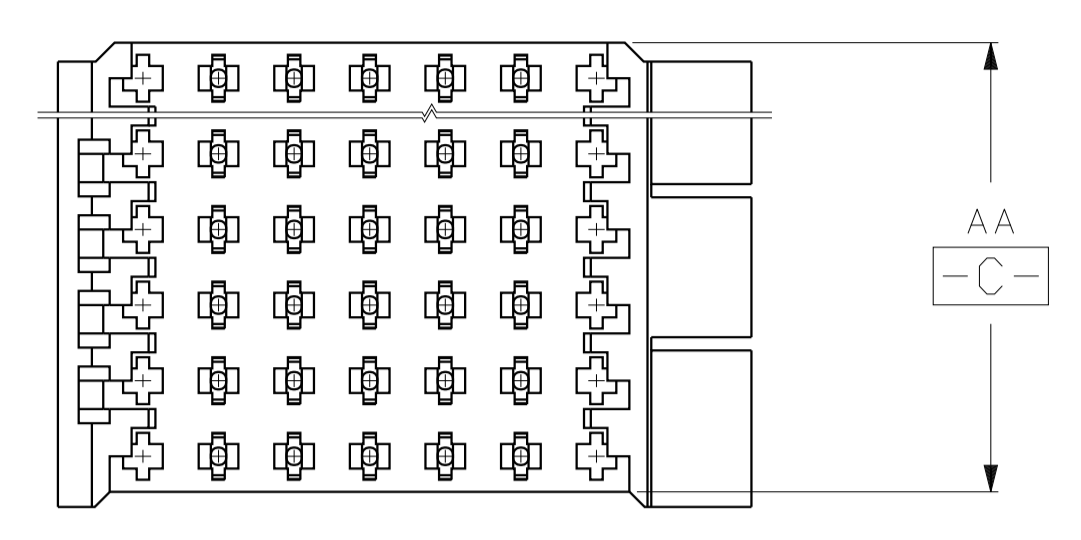
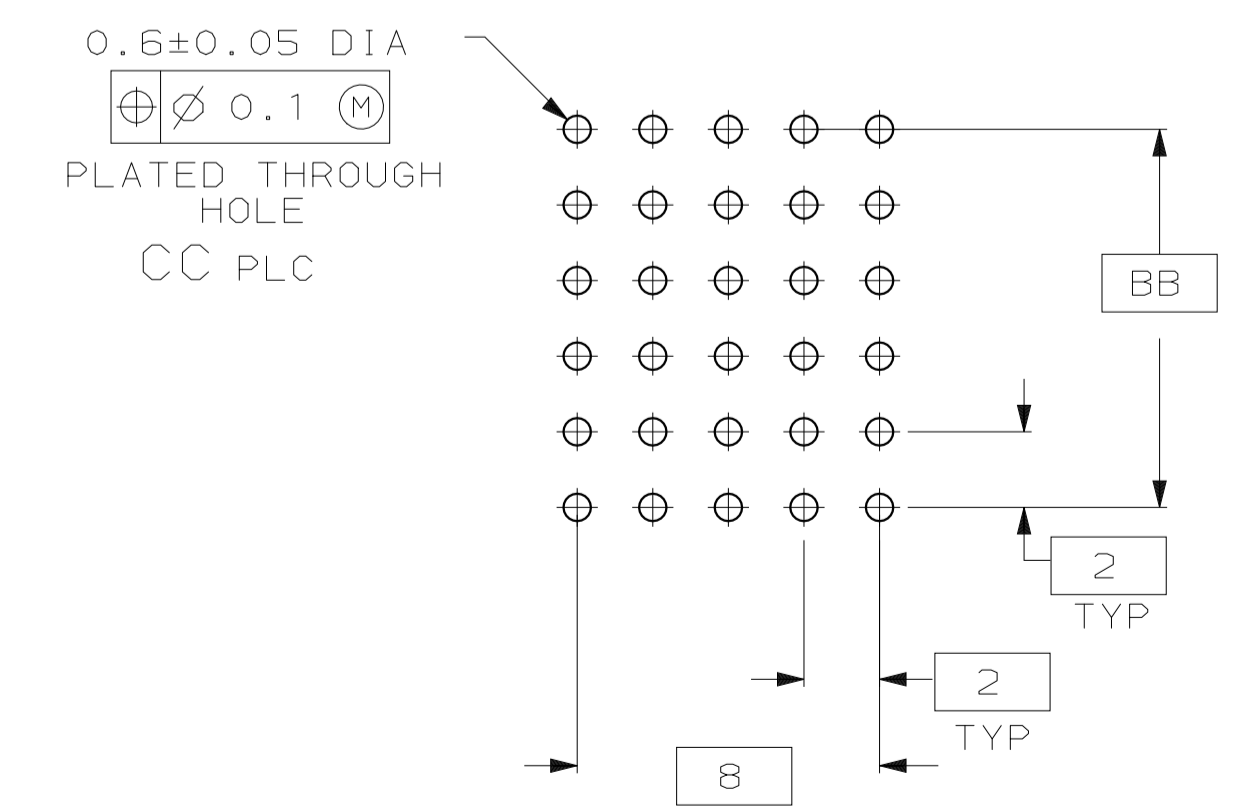
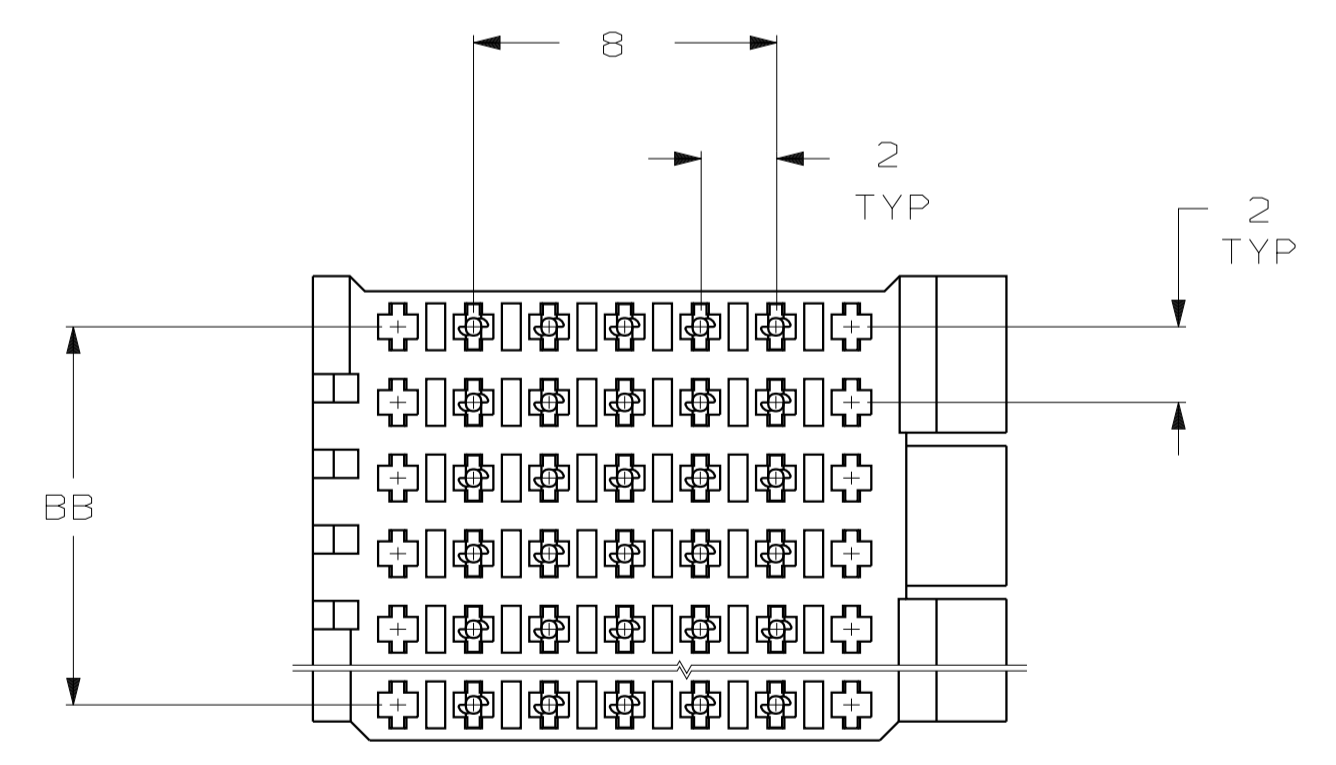


LOC	DIST	REVISIONS					
CF	39	SP	LTR	DESCRIPTION	DATE	DWN	APVD
		A		ADD -4 THRU -22 0B20-0820-97	6-30-97	TS	CA
		B		REV PER 0U30-0177-00	17APROD	TS	CA
		C		REV PER 0S20-0591-05	14APRO5	TS	CA



- 1 HOUSING MATERIAL: POLYESTER PBT, MOLDING COMPOUND, FLM RTD, 20% GLASS FILLED, COLOR: BLACK.
- 2 CONTACT MATERIAL: PHOSPHOR BRONZE PER UNS C51100, TEMPER H04
- 3 CONTACT FINISH: MATING SURFACE- 0.0008 MIN GOLD OVER 0.0013 MIN NICKEL. ON LEADS- 0.0005 MIN TIN-LEAD OVER 0.0013 MIN NICKEL.



125	48	49.88	25	2-636120-2
120	46	47.88	24	2-636120-1
115	44	45.88	23	2-636120-0
110	42	43.88	22	1-636120-9
105	40	41.88	21	1-636120-8
100	38	39.88	20	1-636120-7
95	36	37.88	19	1-636120-6
90	34	35.88	18	1-636120-5
85	32	33.88	17	1-636120-4
80	30	31.88	16	1-636120-3
75	28	29.88	15	1-636120-2
70	26	27.88	14	1-636120-1
65	24	25.88	13	1-636120-0
60	22	23.88	12	636120-9
55	20	21.88	11	636120-8
50	18	19.88	10	636120-7
45	16	17.88	9	636120-6
40	14	15.88	8	636120-5
35	12	13.88	7	636120-4
30	10	11.88	6	636120-3
25	8	9.88	5	636120-2
20	6	7.88	4	636120-1
CC	BB	AA	ROWS	PART NO

THIS DRAWING IS A CONTROLLED DOCUMENT.

DWN: I. SMITH 6-30-97
 CHK: C. ADAMS 6-30-97
 APVD: I. SMITH 6-30-97

AMP Incorporated
 Harrisburg, PA 17105-3608

NAME: HEADER, 2mm HM

SIZE: A1 CAGE CODE: 00779 DRAWING NO: 636120

RESTRICTED TO: -

CUSTOMER DRAWING SCALE: 5:1 SHEET: 1 OF 1 REV: C

Mouser Electronics

Authorized Distributor

Click to View Pricing, Inventory, Delivery & Lifecycle Information:

[TE Connectivity:](#)

[636120-1](#)