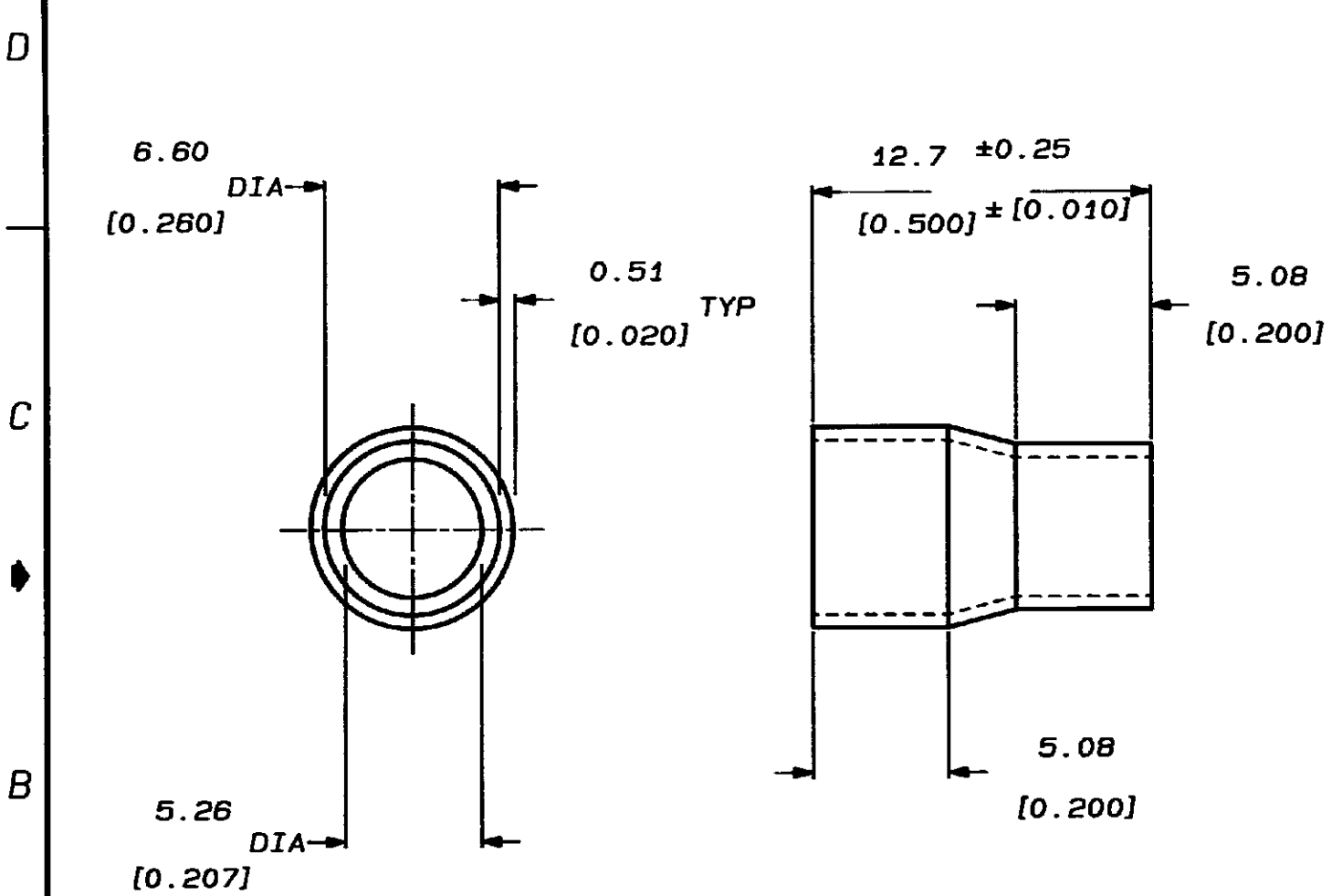


4
DRAWING MADE IN THIRD ANGLE PROJECTION
THIS DRAWING IS UNPUBLISHED. RELEASED FOR PUBLICATION .19
© COPYRIGHT 19 BY AMP INCORPORATED, HARRISBURG, PA. ALL INTERNATIONAL RIGHTS RESERVED. AMP PRODUCTS MAY BE COVERED BY U.S. AND FOREIGN PATENTS AND/OR PATENTS PENDING.

		2		1 LOC 80 DIST 50	
REVISIONS					
P	F	ZONE	LTR	DESCRIPTION	DATE
1	✓		A	REV. PER AF0372 RELEASED PER P.A.R.	7/22/84
			B	REV PER AF 4654	8/25/87



- 1 DIMENSIONS IN BRACKETS ARE IN INCHES
- 2 INSULATION RANGE: 5.11-4.16 [0.201-0.164]

520433-1

PART NO

UNLESS OTHERWISE SPECIFIED DIMENSIONS ARE IN INCHES OR DECIMALS ± 0.00 IN. ANGLES ±		CONTRACT NO		AMP INCORPORATED Harrisburg, Pa.	
MATERIAL		DR <i>S. Schaffner</i> 5/2/84		NAME	
COPPER		CHK <i>G. Patten</i> 5/2/84		SDL FERRULE STYLE B (4 POSITION)	
FINISH		APPD <i>John D. ...</i> 7/25/84		SIZE	
BRIGHT TIN		APPD <i>C. R. ...</i> 7-26-84		B	
		DSGN APPD		FSCN NO	
		OTHER APPD		00779	
				DRAWING NO	
				520433	
				SCALE	
				SHEET	

AMP 1470-15 REV 2-81

CUSTOMER DRAWING

Mouser Electronics

Authorized Distributor

Click to View Pricing, Inventory, Delivery & Lifecycle Information:

[TE Connectivity:](#)

[520433-1](#)