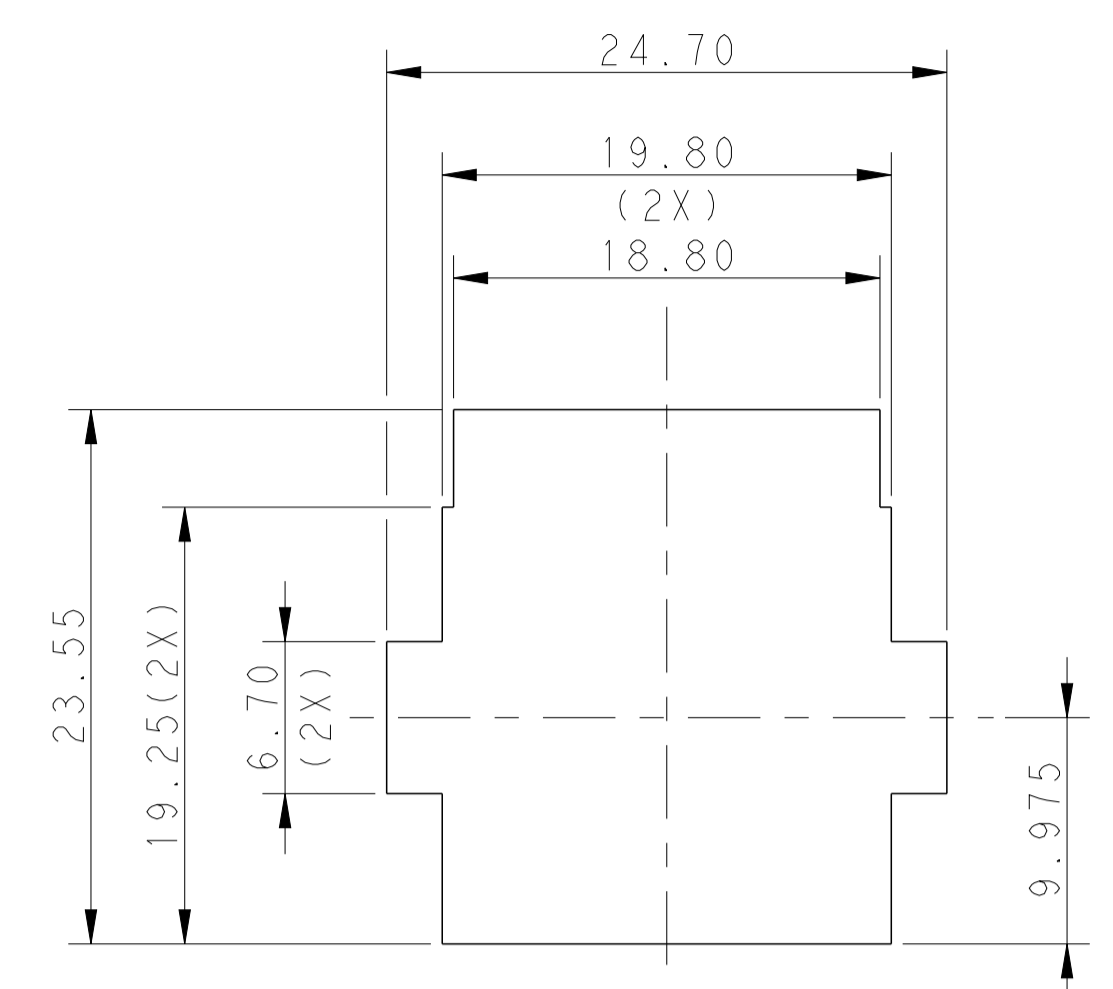
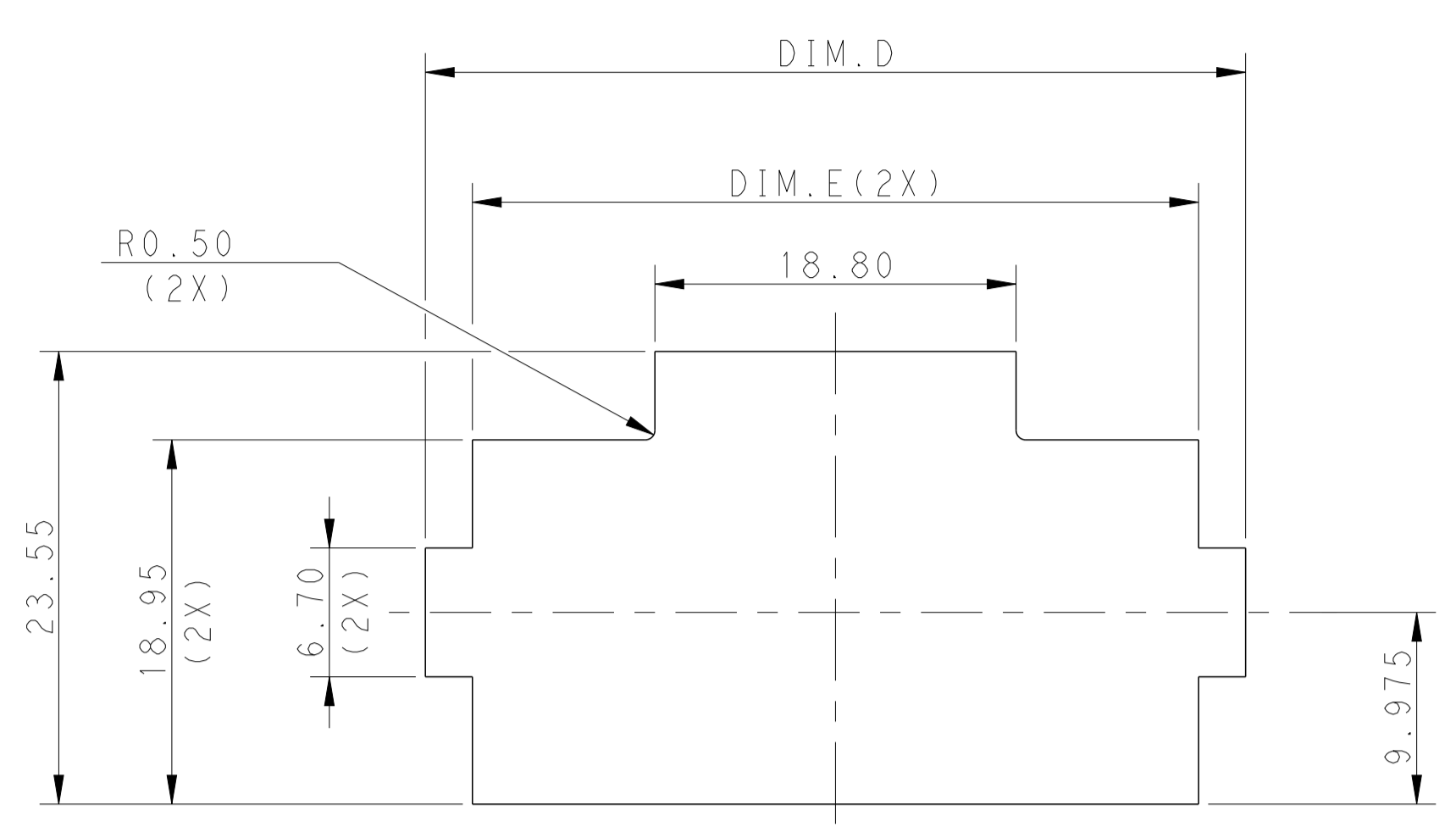
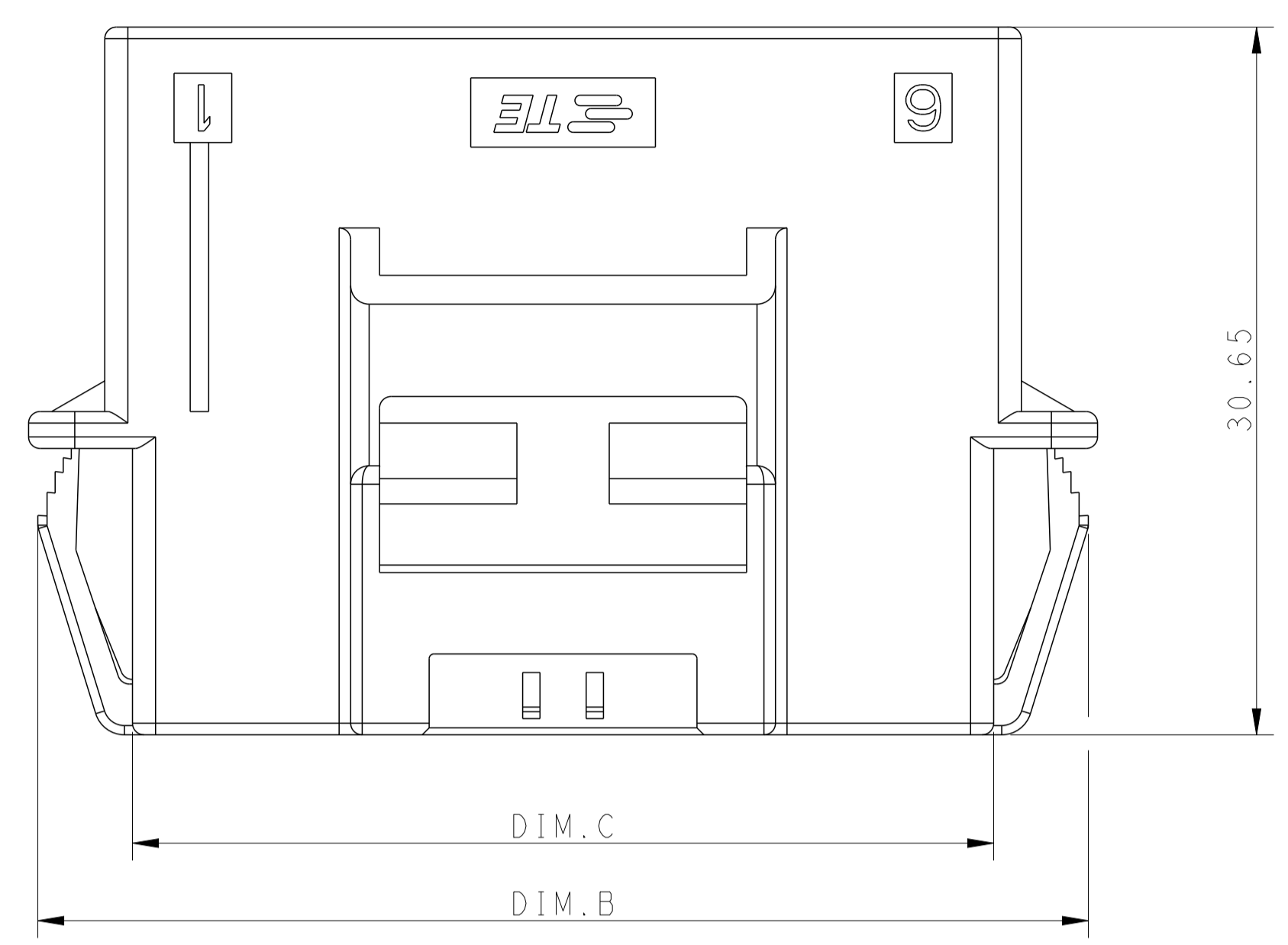
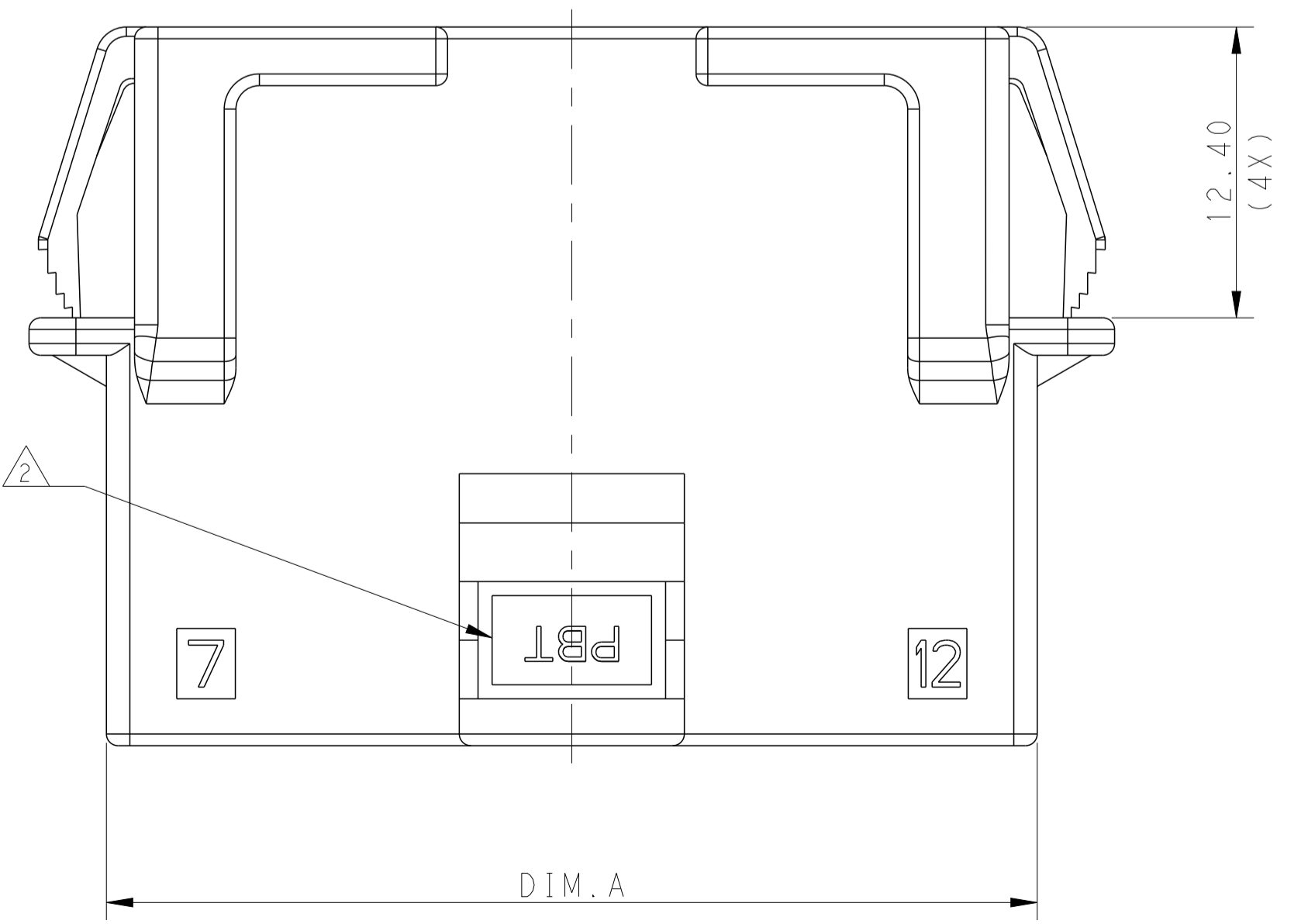
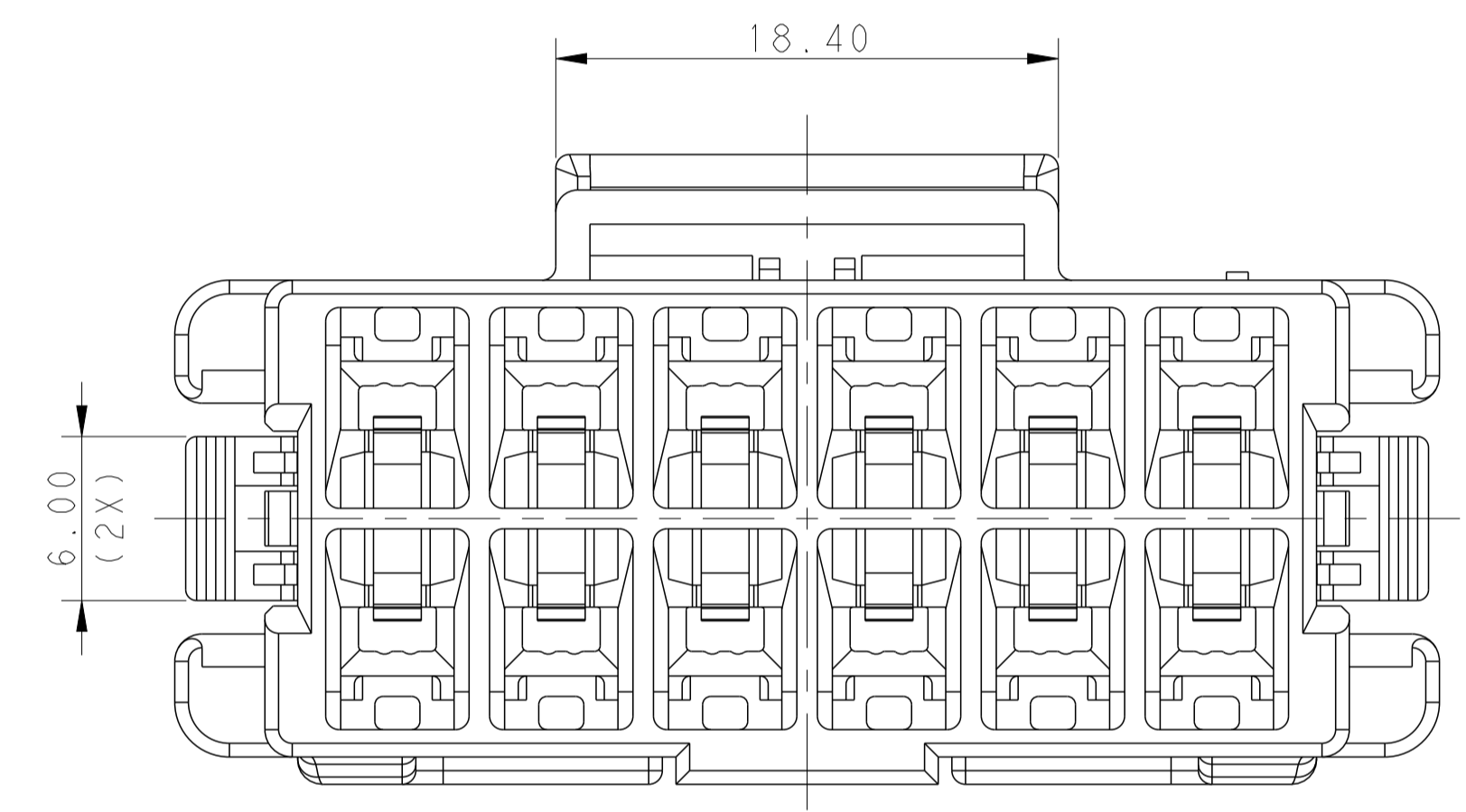
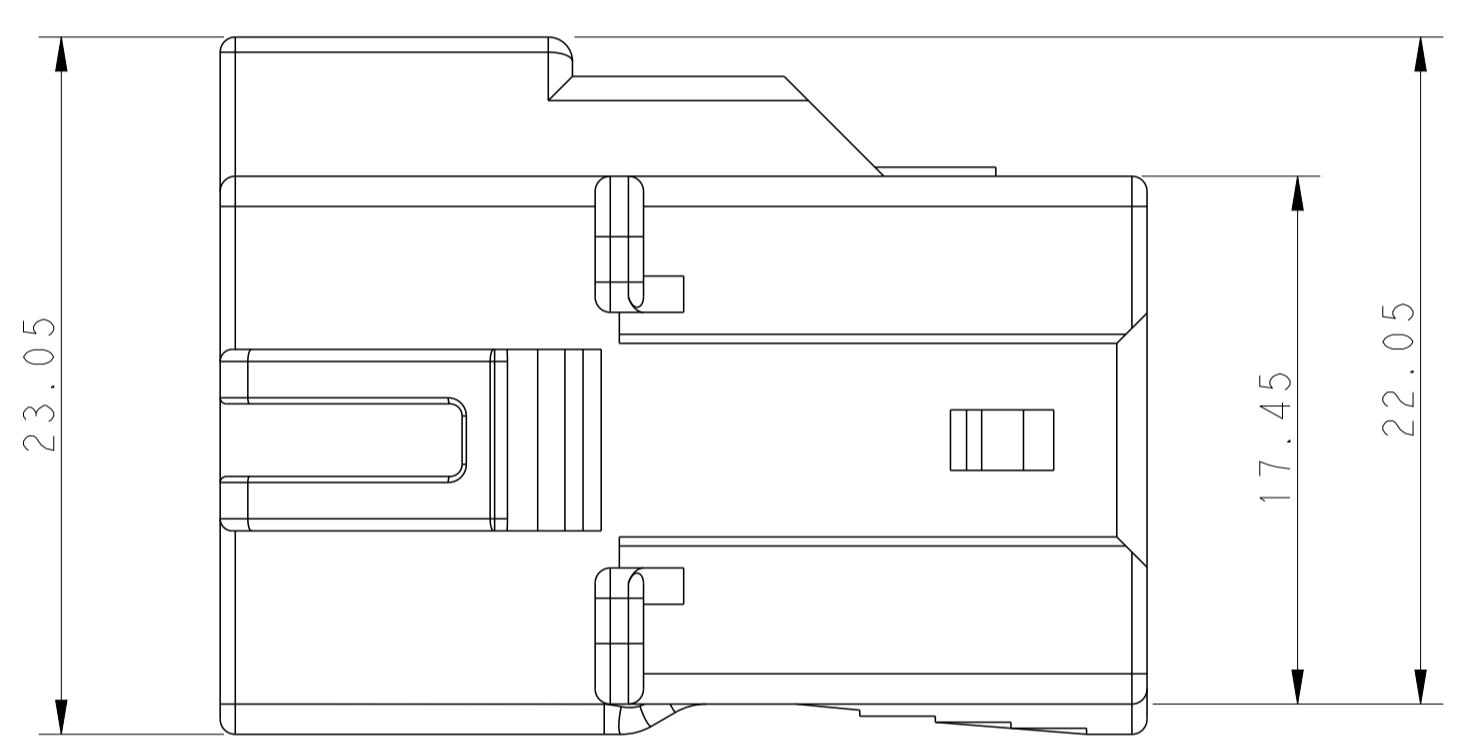
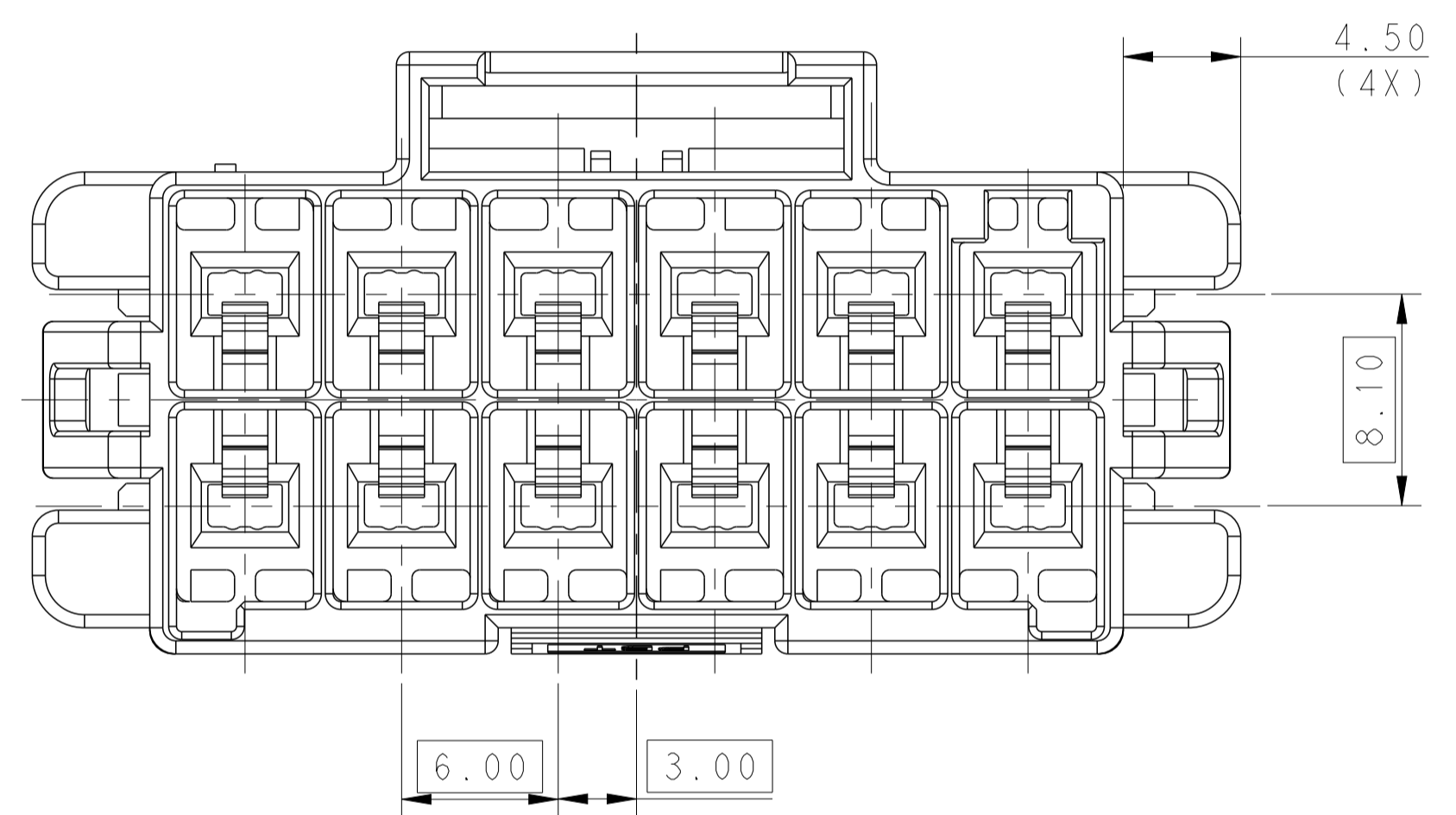


LOC		DIST		REVISIONS			
P	LTN	DESCRIPTION	DATE	DWN	APVD		
C		REVISED PER ECR-16-003314	15JUL2016	BW	GJ		



RECOMMENDED PANEL OPENING DIMENSIONS FOR CAP HOUSING 2\*6 AND 2\*5 AND 2\*4 POSITIONS (TOLERANCE: ±0.15mm)

RECOMMENDED PANEL OPENING DIMENSIONS FOR CAP HOUSING 2\*3 POSITION (TOLERANCE: ±0.15mm)



- 1 MATERIAL:  
LEVEL 1:PBT, STANDARD TEMPERATURE 105°C  
KEY A:NATURAL; KEY B:PURPLE; KEY C:BLUE; KEY D:YELLOW  
  
LEVEL 2:NYLON, HIGH TEMPERATURE 150°C  
KEY A:LIGHT GREY; KEY B:RED; KEY C:BLACK; KEY D:NATURAL
- 2 MATERIAL MARK:  
LEVEL 1:PBT, LEVEL 2:HDT
- 3 APPLICABLE CONTACT P/N  
TAB CONTACT:1971238/1971780/82/84/86/88-\*,2238067-\*
- 4 MATING CONN. P/N  
PLUG HSG: \*-1971776-  
TPA(LOCK PLATE): \*-1971778-\*
- 5 RECOMMENDED PANEL THICKNESS:1.0-2.0mm

6 THIS PRODUCT HAS NOT COMPLETED VALIDATION TESTING

POS	A	B	C	D	E
2*6	39.70	45.5	37.30	42.70	37.80
2*5	33.70	39.5	31.30	36.70	31.80
2*4	27.70	33.5	25.30	30.70	25.80
2*3	21.70	27.5	19.30		

THIS DRAWING IS A CONTROLLED DOCUMENT.

DWN: TOMMY WU 06JUL2012  
CHK: HAPYE WU 06JUL2012  
APVD: YUHONG MAO 06JUL2012

TE Connectivity

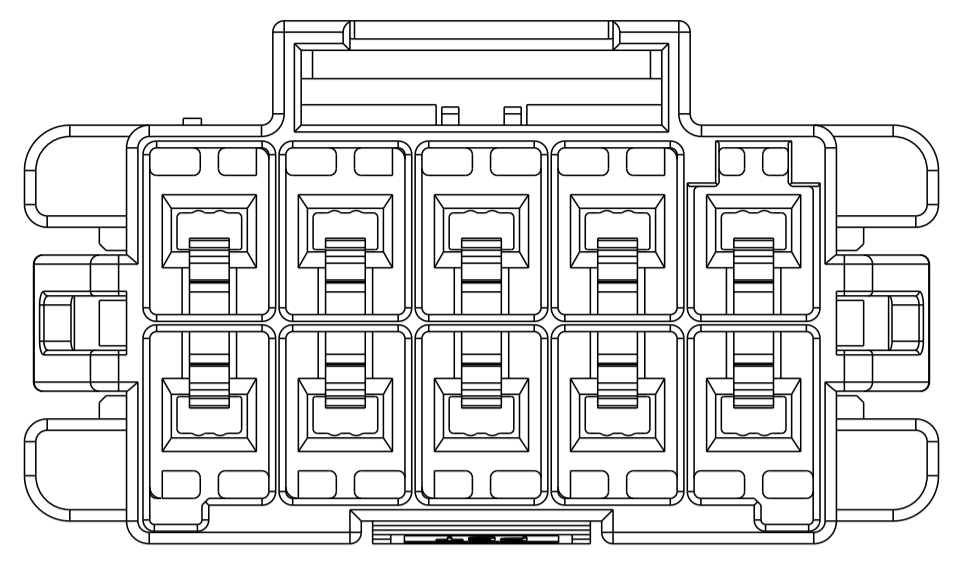
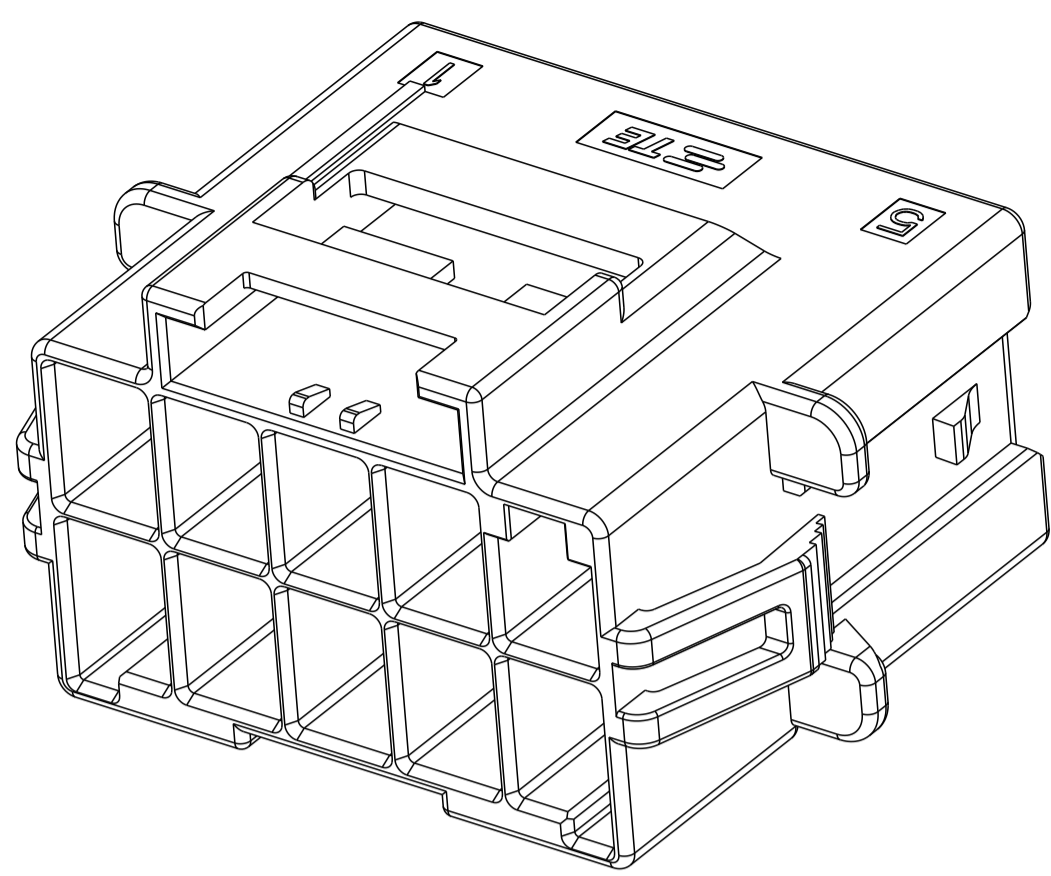
NAME: CAP HOUSING, PANEL MOUNT, DOUBLE ROW POWER TRIPLE LOCK

PRODUCT SPEC: 108-106118  
APPLICATION SPEC: 114-106118

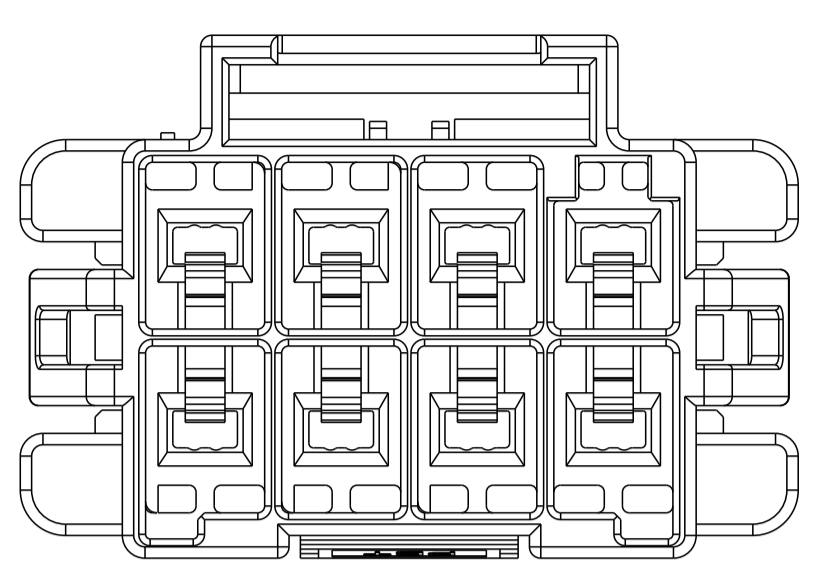
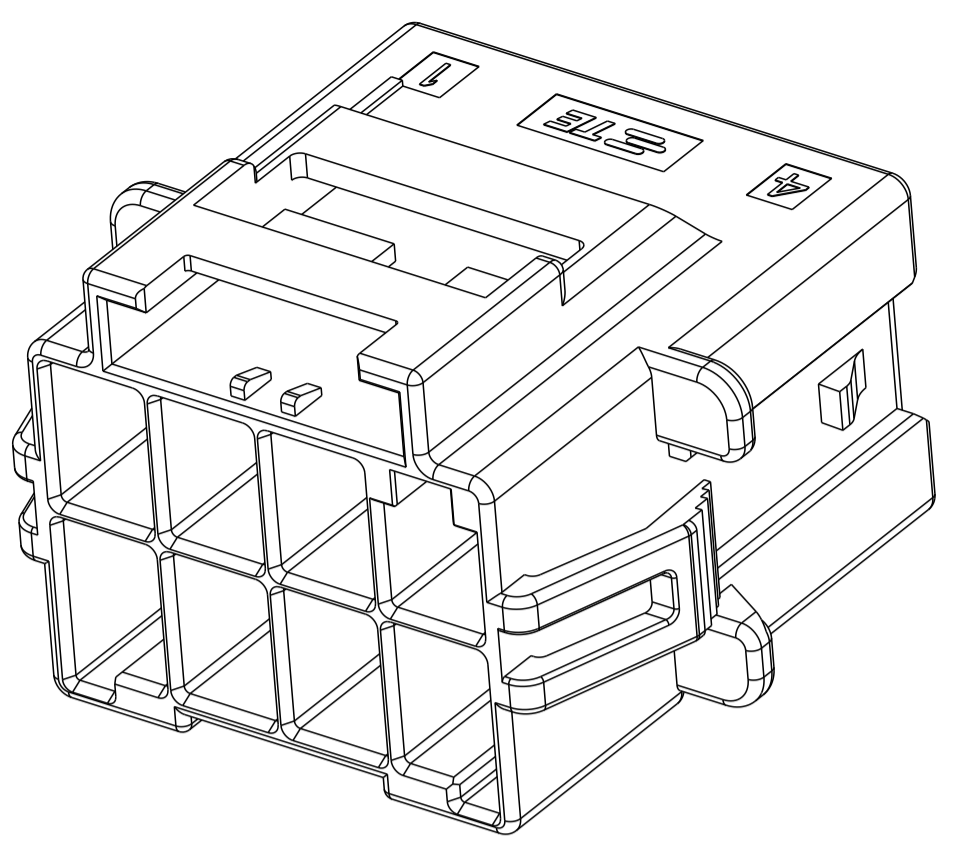
SIZE: A1  
CAGE CODE: 00779  
DRAWING NO: C=1971775

RESTRICTED TO: -  
SCALE: -  
SHEET: 1 OF 2  
REV: C

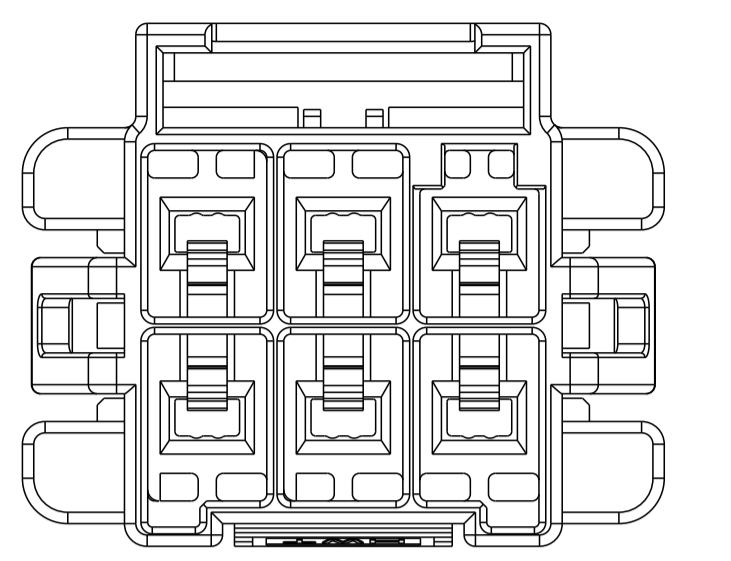
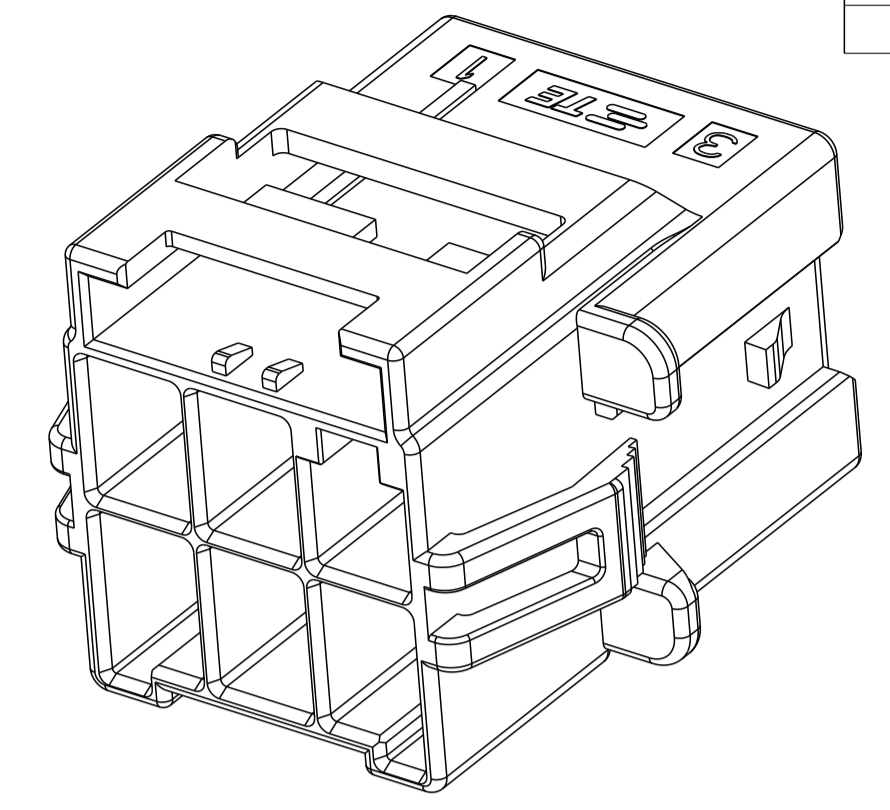
LOC		DIST		REVISIONS			
P	LTN	DESCRIPTION	DATE	OWN	APVD		
-	-	SEE SHEET 1	-	-	-		



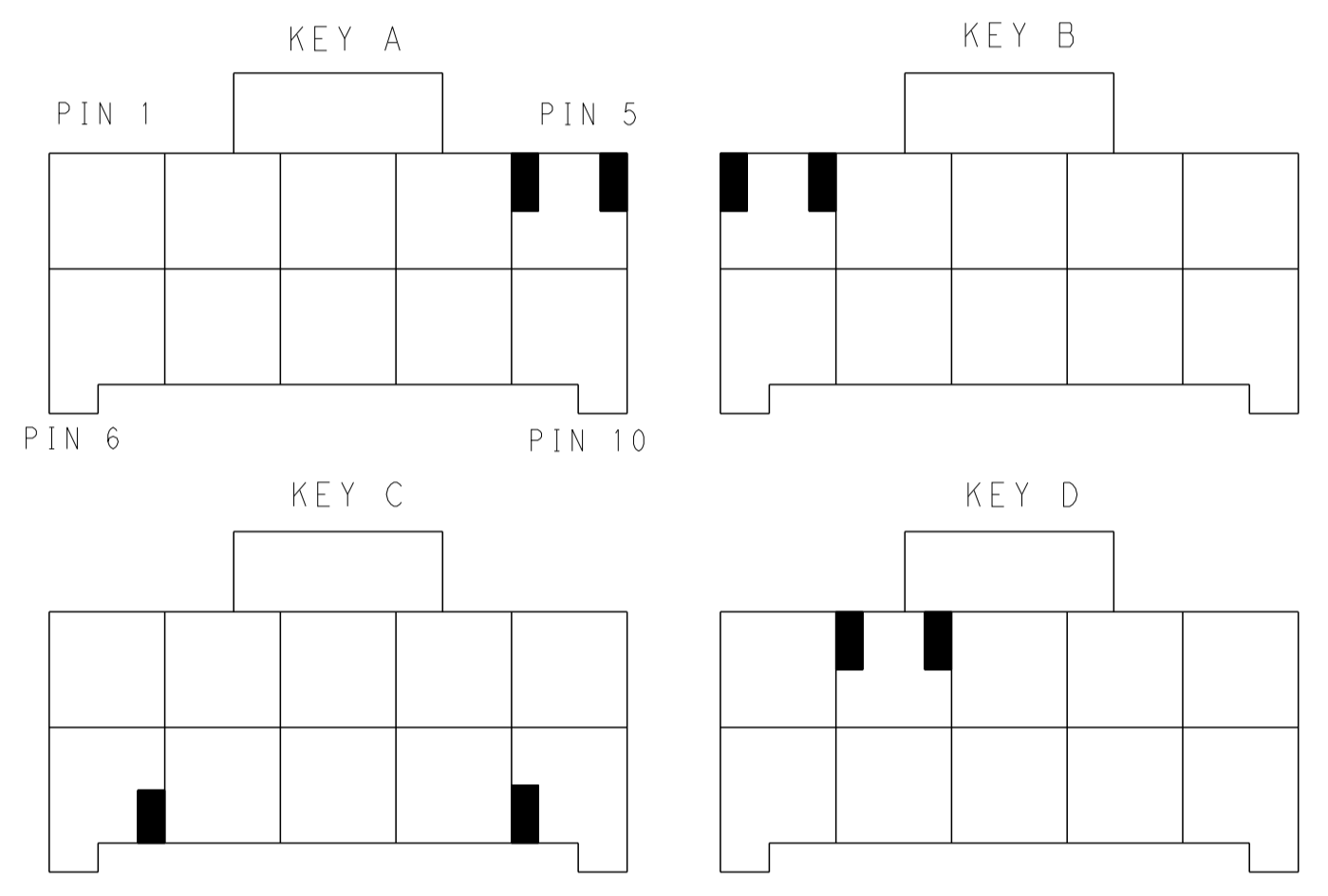
2\*5 POSITIONS



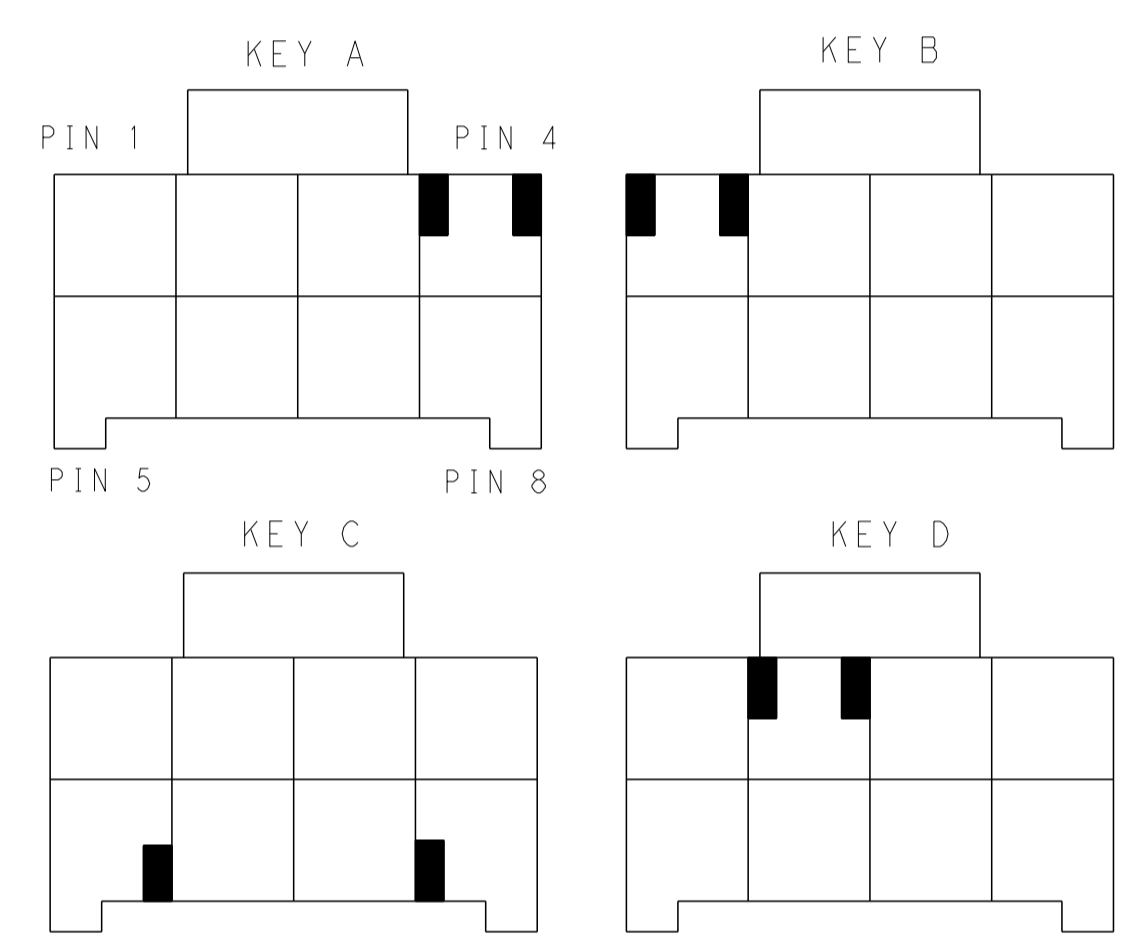
2\*4 POSITIONS



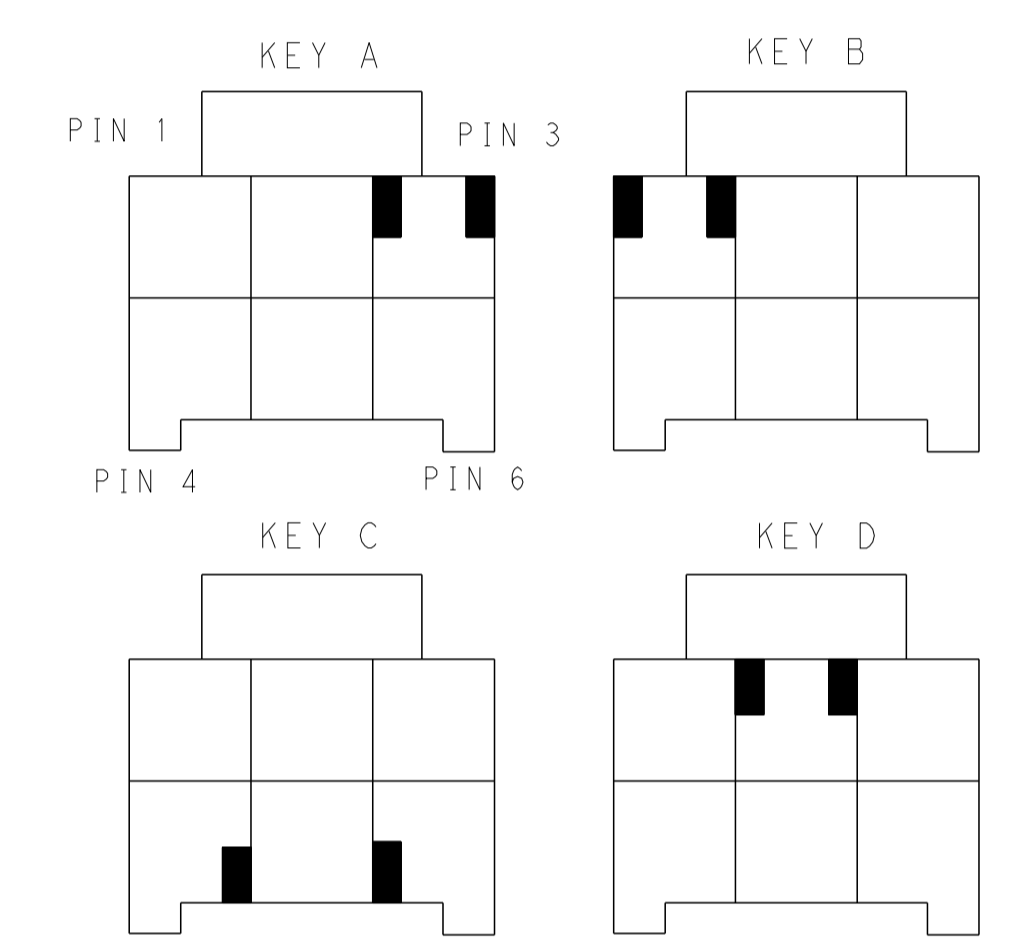
2\*3 POSITIONS



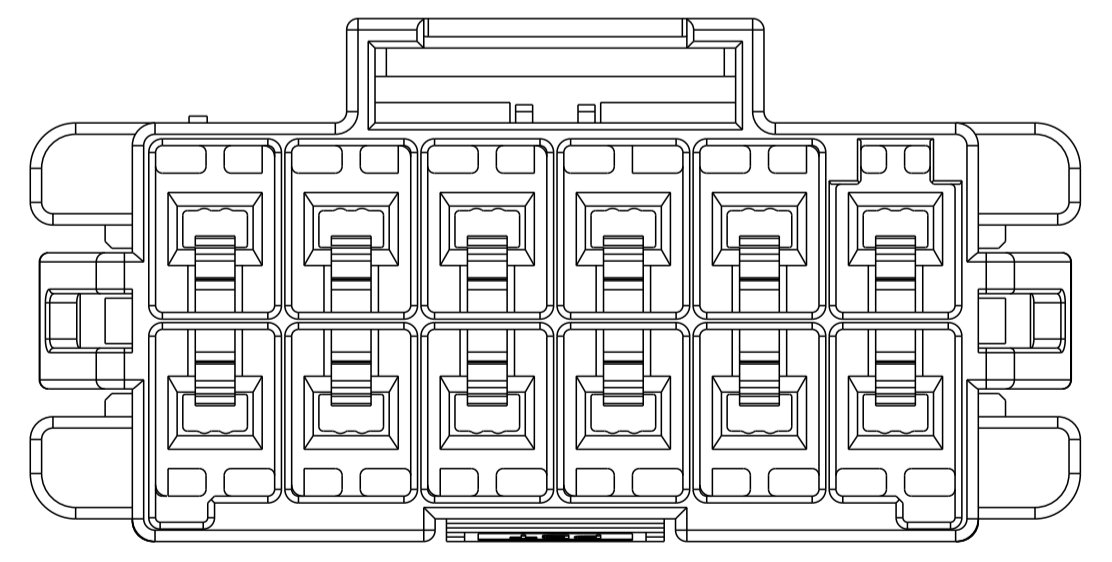
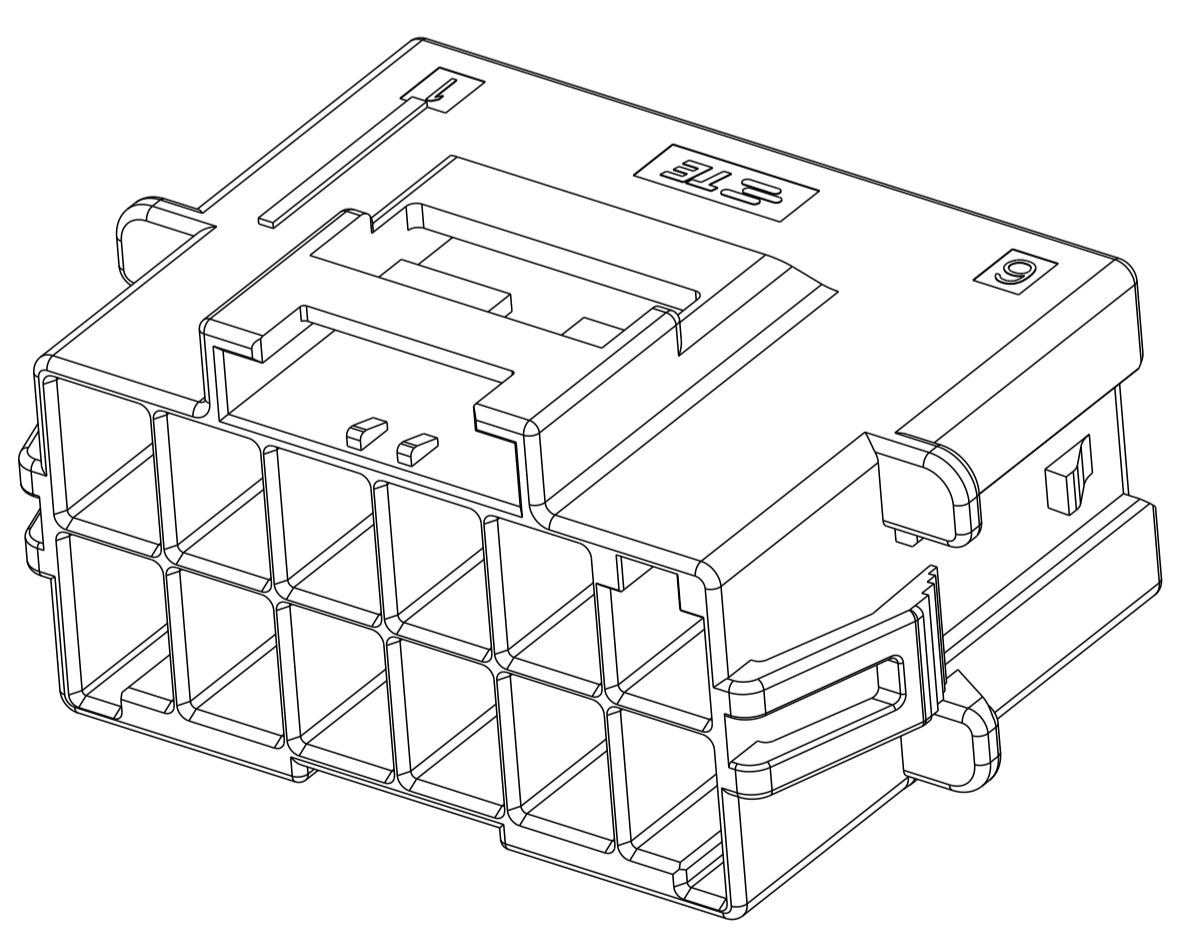
KEYING FOR 2\*5 POS.



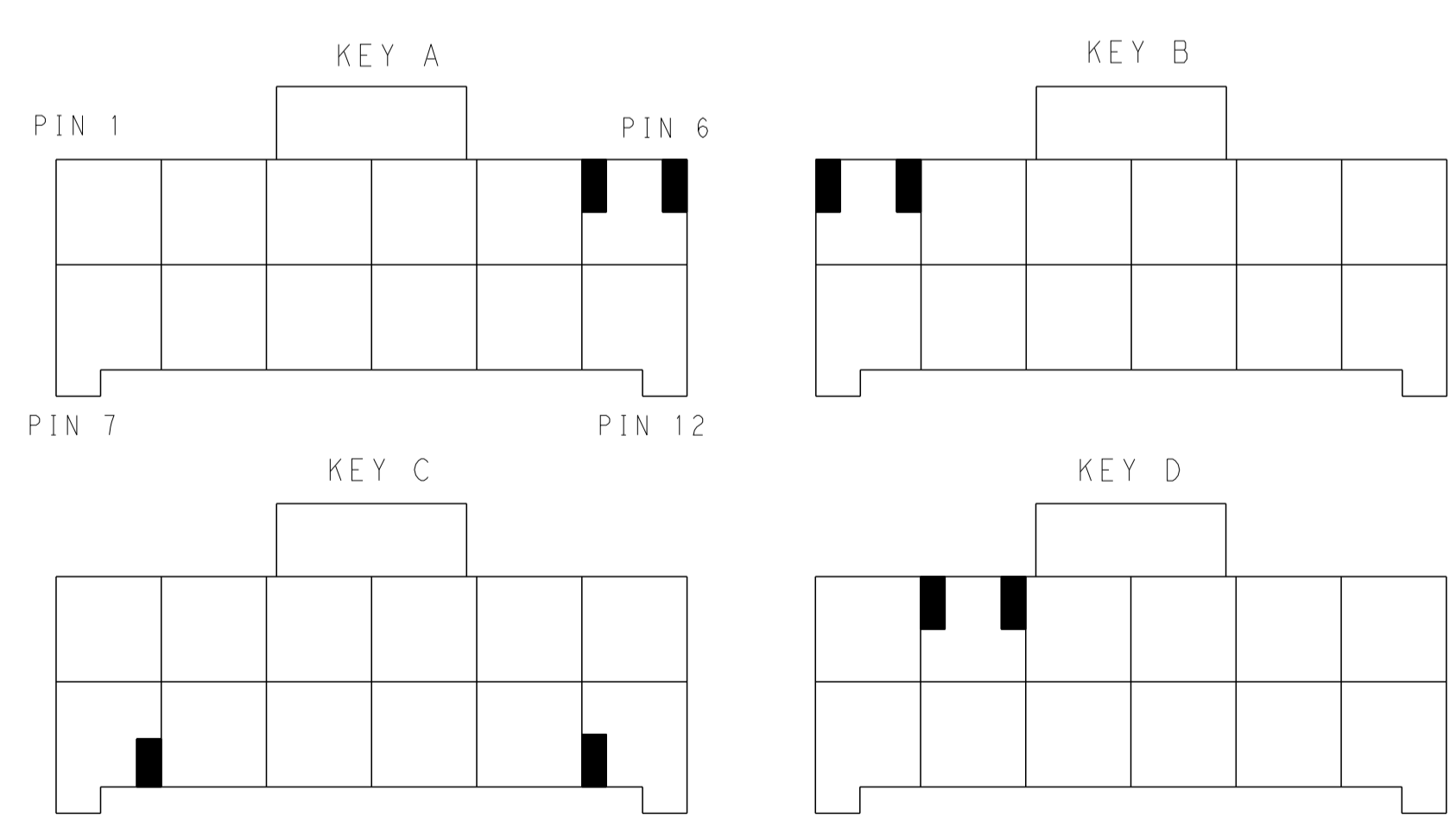
KEYING FOR 2\*4 POS.



KEYING FOR 2\*3 POS.



2\*6 POSITIONS



KEYING FOR 2\*6 POS.

POS.	MATERIAL	KEY	P/N
2*6	LEVEL 1	KEY A	1-1971775-6
		KEY B	2-1971775-6
		KEY C	3-1971775-6
		KEY D	4-1971775-6
LEVEL 2	KEY A	KEY A	5-1971775-6
		KEY B	6-1971775-6
		KEY C	7-1971775-6
		KEY D	8-1971775-6
LEVEL 1	KEY A	KEY A	1-1971775-5
		KEY B	2-1971775-5
		KEY C	3-1971775-5
		KEY D	4-1971775-5
LEVEL 2	KEY A	KEY A	5-1971775-5
		KEY B	6-1971775-5
		KEY C	7-1971775-5
		KEY D	8-1971775-5

POS.	MATERIAL	KEY	P/N
2*4	LEVEL 1	KEY A	1-1971775-4
		KEY B	2-1971775-4
		KEY C	3-1971775-4
		KEY D	4-1971775-4
LEVEL 2	KEY A	KEY A	5-1971775-4
		KEY B	6-1971775-4
		KEY C	7-1971775-4
		KEY D	8-1971775-4
LEVEL 1	KEY A	KEY A	1-1971775-3
		KEY B	2-1971775-3
		KEY C	3-1971775-3
		KEY D	4-1971775-3
LEVEL 2	KEY A	KEY A	5-1971775-3
		KEY B	6-1971775-3
		KEY C	7-1971775-3
		KEY D	8-1971775-3

THIS DRAWING IS A CONTROLLED DOCUMENT.

OWN: TOMMY WU 06JUL2012  
 CHK: TOMMY WU 06JUL2012  
 APVD: HAPYE WU 06JUL2012  
 YUHONG MAO 06JUL2012

TE Connectivity

NAME: CAP HOUSING, PANEL MOUNT, DOUBLE ROW POWER TRIPLE LOCK

SIZE: A1 CAGE CODE: 00779 DRAWING NO: 1971775

SCALE: SHEET 2 OF 2 REV C

Customer Drawing

4805 (3/11)

# Mouser Electronics

Authorized Distributor

Click to View Pricing, Inventory, Delivery & Lifecycle Information:

[TE Connectivity:](#)

[1-1971775-5](#)