

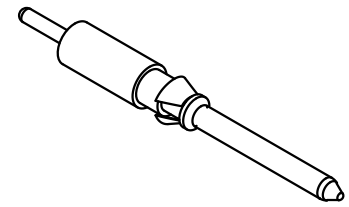
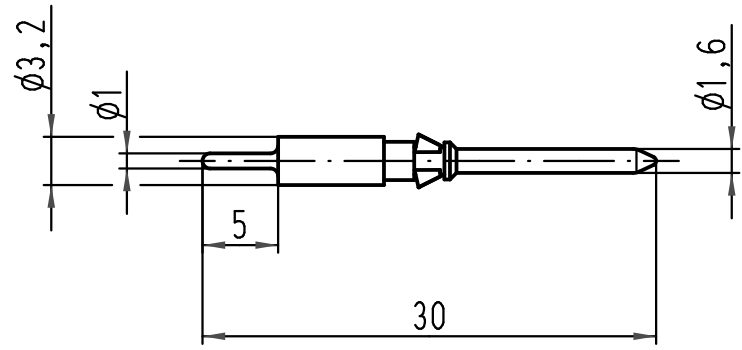
1 2 3 4 5 6

A

B

C

D



All Dimensions in mm Original Size DIN A 4			Techn. Character.			Nicht tolerierte Maße/ Free size tolerances				
				Dat.	Name	Maßstab/ Scale  <b>2:1</b>	<b>Stiftkontakt für Leiterplatten</b> <i>male contact for printed circuit board</i> versilbert / silver plated			
			Detail.	19.08.10	Spr					
			Insp.		Sch					
			Stand.							
A			HARTING Electric GmbH & Co. KG D-32339 Espelkamp				<b>TB 09 15 000 6191</b>			Blatt/ page /
Mod.	Dat.	Name					Sub. TB 09 15 000 6191 v. 22.03.99			

# Mouser Electronics

Authorized Distributor

Click to View Pricing, Inventory, Delivery & Lifecycle Information:

[HARTING:](#)

[09150006191](#)