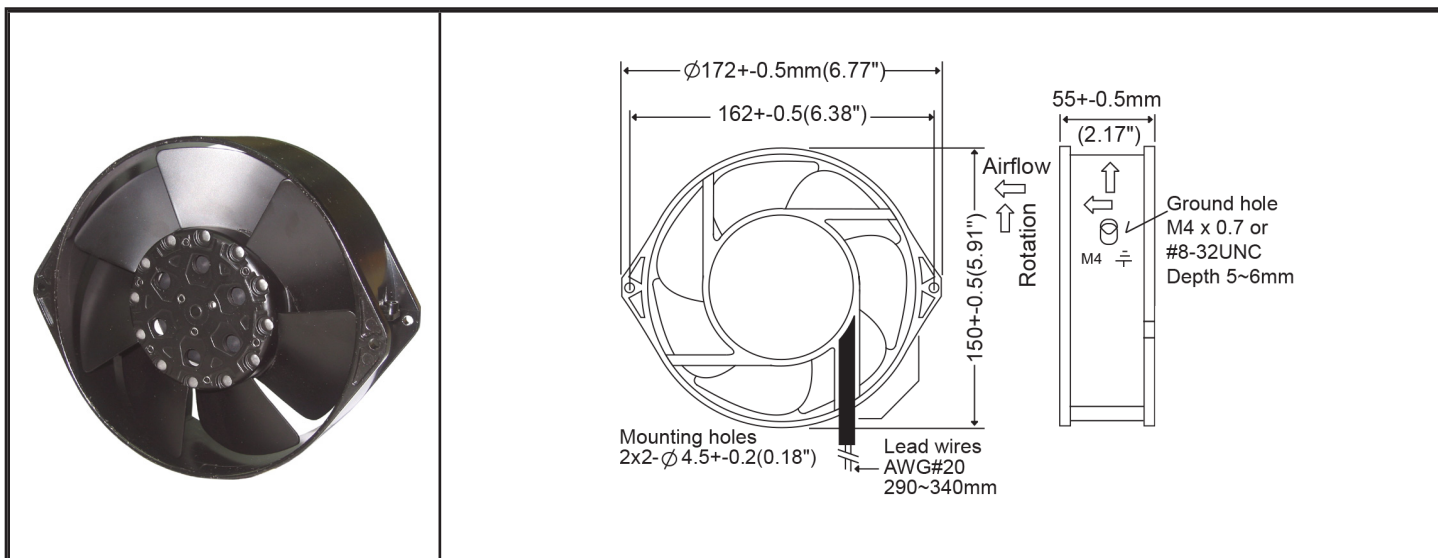


OA162AP Metal Series



AC - Harsh Environment
172 x 55mm (6.7" x 2.17")



| | | | |
|-----------------------|------------------------------------|--|--|
| Frame | Aluminum Die-cast | Notes | |
| Impeller | Metal alloy | Date: 050113 | |
| Connection | 2x Lead wires | Environmental Protection: IP55 | |
| Motor | AC Shaded pole, Thermal protection | Storage Temp: -40C ~ +100C | |
| Bearing System | Dual Ball bearing | Weight: 1200g (2.7 lbs) | |
| Insulation Resistance | >100MOhm at 500VDC | Available AC voltages by special order: 12, 24, 28, 38, 42, 48, 440, 480. Dual speed also available. Call for information. | |
| Dielectric Strength | > 60 seconds at 1500VAC | | |
| Operating Temp Range | -30C ~ +80C (non-condensing) | | |
| Life Expectancy | 50000 hours (55C) | | |

| Model No. | Speed (RPM) | Airflow (CFM) | Noise | Volts AC | Voltage Range AC | Watts | Max. Static Pressure ("H ₂ O) | Curves |
|---------------------|--------------|---------------|-------|----------|------------------|----------|--|----------------------|
| OA162AP-11-1WB 1855 | 2750 3200 | 183 210 | 54 | 115 | 100 ~ 120 | 47 42 | 0.49 0.42 | 2 (50Hz) 1 (60Hz) |
| OA162AP-11-2WB 1855 | 2400 2500 | 160 165 | 46 | 115 | 100 ~ 120 | 35 32 | 0.42 0.35 | 4 (50Hz) 3 (60Hz) |
| OA162AP-11-3WB 1855 | 1500 1600 | 100 110 | 35 | 115 | 100 ~ 120 | 23 20 | 0.28 0.22 | 6 (50Hz) 5 (60Hz) |
| OA162AP-22-1WB 1855 | 2750 3200 | 183 210 | 54 | 230 | 200 ~ 240 | 47 42 | 0.49 0.42 | 2 (50Hz) 1 (60Hz) |
| OA162AP-22-2WB 1855 | 2400 2500 | 160 165 | 46 | 230 | 200 ~ 240 | 35 32 | 0.42 0.35 | 4 (50Hz) 3 (60Hz) |
| OA162AP-22-3WB 1855 | 1500 1600 | 100 110 | 35 | 230 | 200 ~ 240 | 23 20 | 0.28 0.22 | 6 (50Hz) 5 (60Hz) |

Mouser Electronics

Authorized Distributor

Click to View Pricing, Inventory, Delivery & Lifecycle Information:

Orion Fans:

[OA162AP-11-1WB1855](#) [OA162AP-22-1WB1855](#) [OA162AP-11-1TB1855](#) [OA162AP-22-1TB1855](#) [OA162AP-22-2WB1855](#) [OA162AP-11-3WB1855](#) [OA162AP-22-3WB1855](#) [OA162AP-11-2WB1855](#)