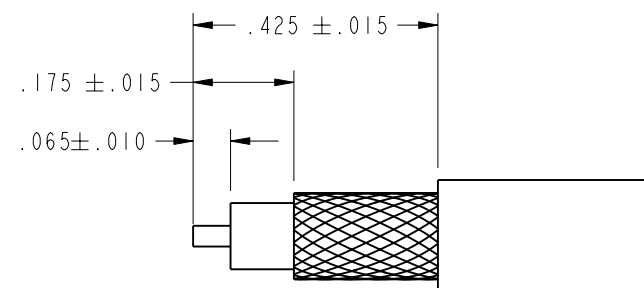
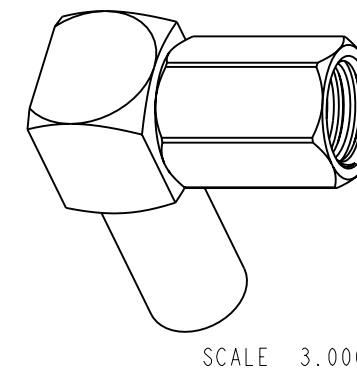
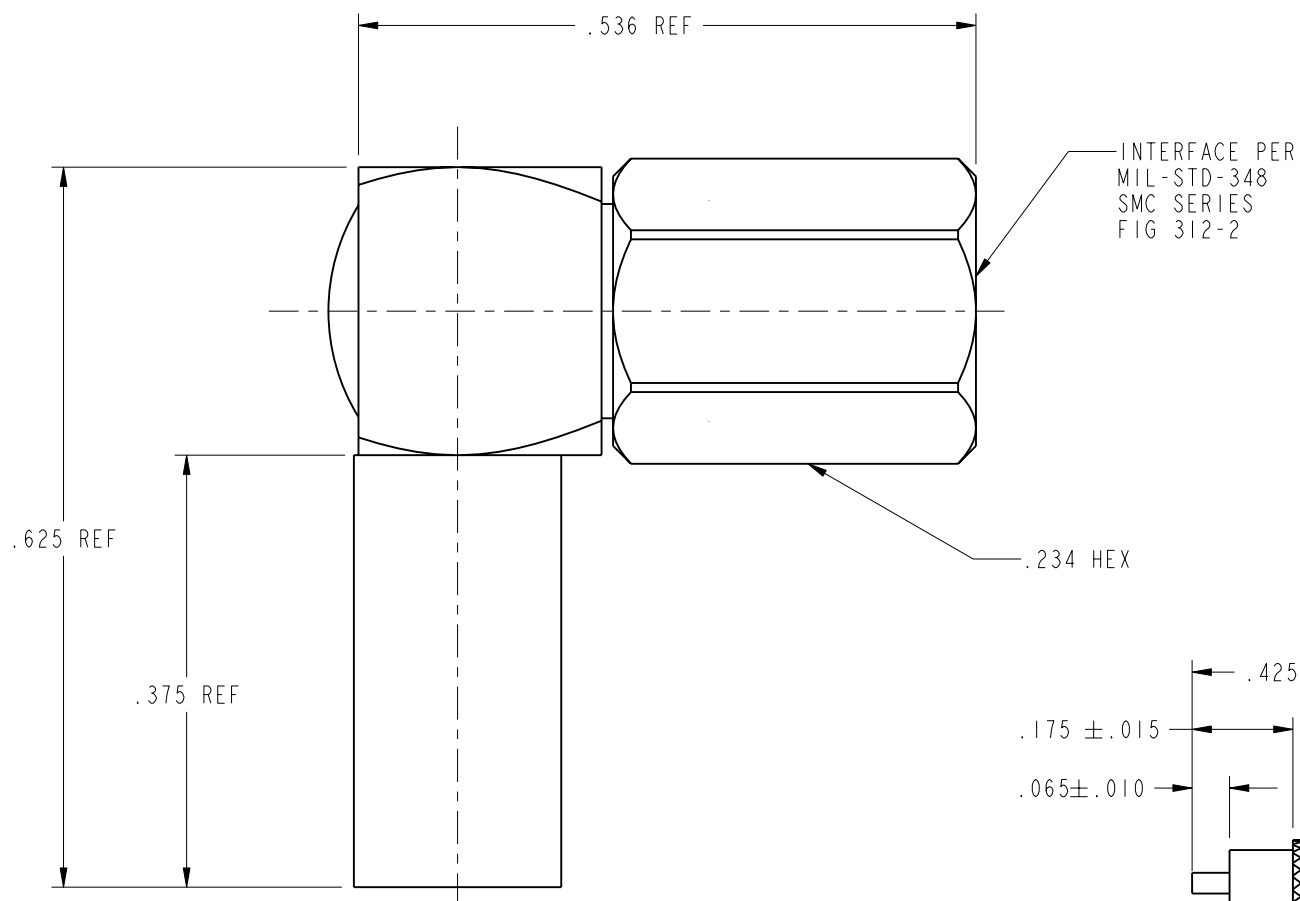
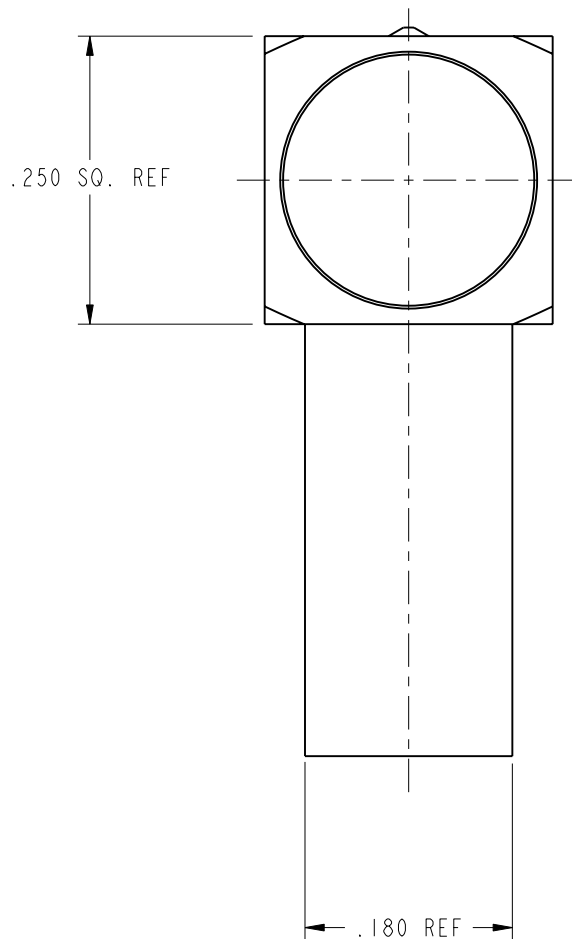


NOTES:

1. MATERIALS AND FINISHES:
 BODY - BRASS, NICKEL PLATING
 CONTACT - BERYLLIUM COPPER, GOLD PLATING
 INSULATOR - PTFE
2. ELECTRICAL:
 A. IMPEDANCE: 50 OHM
 B. FREQUENCY RANGE: DC - 10 GHz
 C. VSWR(RETURN LOSS): 1.30 + .04F MAX.
 D. DIELECTRIC WITHSTANDING VOLTAGE: 1,000 VRMS, MIN.
3. MECHANICAL:
 A. DURABILITY: 500 CYCLES MIN.
 B. TEMPERATURE RANGE: -65° C TO 165° C
4. PACKAGING:
 A. QUANTITY: SINGLE PACK
 B. MARKING: BAG TO BE MARKED
 "AMPHENOL, 903-514P-52A3, QUANTITY 50, AND DATE CODE"
5. CRIMP USING AMPHENOL 227-1221-03, Y196 CAVITY 'A'

903-514P-52A3		REVISIONS			
DRAWING NO.	REV	DESCRIPTION	DATE	ECO	APPR
THIRD ANGLE PROJ.	A	RELEASE TO MFG.	10/31/95	41019	PB/RV
	H	903-10538 WAS 903-10497 AND 903-10495	9/19/01	43845	MH
	J	SEE SHEET 1	1/31/05	45336	CPM
	K	ADD STRIPIING DIM'S & NOTE 5	8/23/05	45679	CPM
	L	SEE SHEET 1	11/8/05	45792	CPM



RECOMMENDED CABLE STRIPPING DIMENSIONS
SCALE 3.000

CUSTOMER OUTLINE DRAWING
ALL OTHER SHEETS ARE FOR INTERNAL USE ONLY

UNLESS OTHERWISE SPECIFIED, DIMENSIONS ARE IN INCHES AND TOLERANCES ARE: 2 PLACE DECIMAL ±.015 (0,381 mm) 3 PLACE DECIMAL ±.005 (0,127 mm) ANGLES ± 1°	MATERIAL	DRAWN MIKE HOYACK	DATE 22-Aug-01	TITLE SMC R/A PLUG		Amphenol RF Danbury, CT, USA Tainan, Taiwan Shenzhen, China www.amphenolrf.com
	REFERENCE EAR# 344.1 GEN# ASSYF2-SMC	ENGINEER MIKE HOYACK	DATE 22-Aug-01			
NOTICE - These drawings, specifications, or other data (1) are, and remain the property of Amphenol Corp. (2) must be returned upon request; and (3) are confidential and not to be disclosed to any person other than those to whom they are given by Amphenol Corp. The furnishing of these drawings, specifications, or other data by Amphenol Corp., or to any other person to anyone for any purpose is not to be regarded by implication or otherwise in any manner licensing, granting rights or permitting such holder or any other person to manufacture, use or sell any product, process or design, patented or otherwise, that may in any way be related to or disclosed by said drawings, specifications, or other data.		APPROVED O. BARTHELMES	DATE 29-Aug-01	CODE ID 74868	DWG SIZE B	DRAWING NO. 903-514P-52A3
		CAD FILE I:\SMC\903-514P-52A3				REV L

Mouser Electronics

Authorized Distributor

Click to View Pricing, Inventory, Delivery & Lifecycle Information:

[Amphenol:](#)

[903-514P-52A3](#)