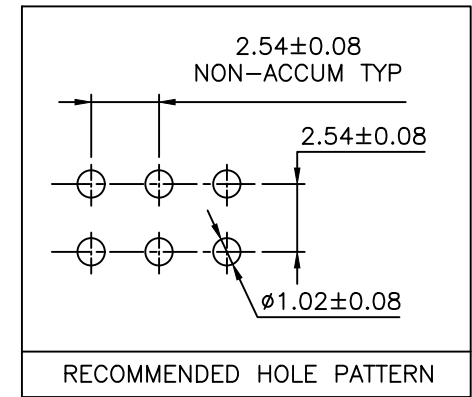
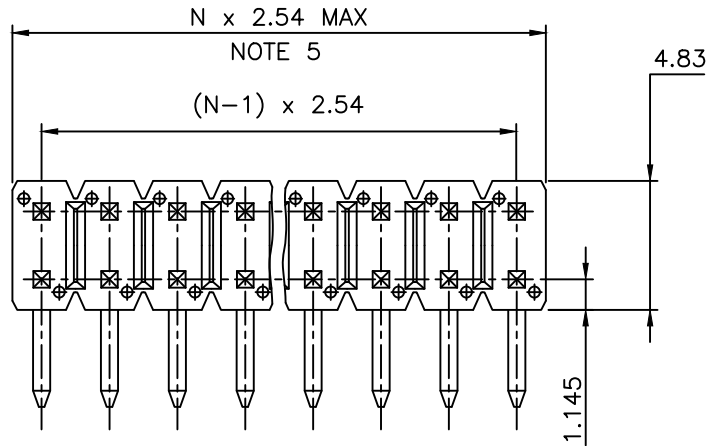


PRODUCT NUMBER

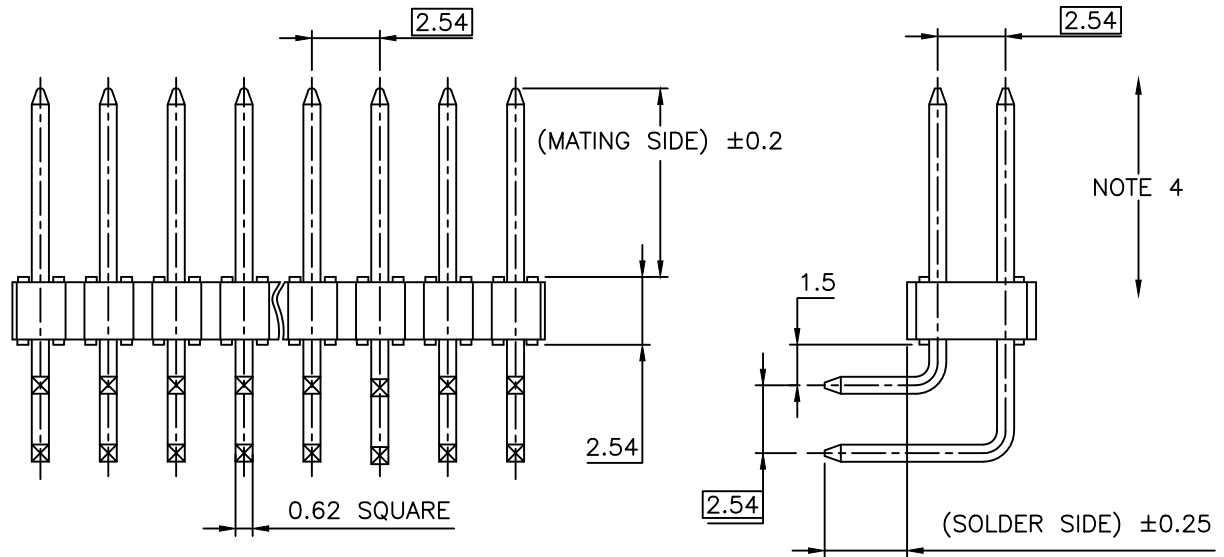
77317-YXX-XXLF

- RoHS COMPATIBLE  
SEE NOTE 7
- TOTAL NB OF POSITIONS 02 TO 72
- PACKAGING, NOTE 3
- PIN STYLE SEE SHEET 2
- PLATING SEE SHEET 2



NOTES:

1. HOUSING MAT'L : HIGH TEMPERATURE THERMOPLASTIC. UL94V-0 COLOR: BLACK
2. PIN MATERIAL : PHOSPHOR BRONZE
3. PACKAGING:
  - PACKAGING POLYBAG OR BLIBOX
  - "V" BLIBOX PACK FOR CUSTOMER DEDICATED PART
4. 9N MIN RETENTION IN EITHER DIRECTION
5. TO DETERMINE DIMENSIONS :  
N = NUMBER OF POSITIONS PER ROW  
EXAMPLE : 8 POS N x 2.54 = 20.32mm
6. UNDERPLATING : 1.27µm Ni MIN
7. RoHS COMPATIBLE PRODUCT SPECIFICATIONS
  - a - PLATING:
    - "LF" MEANS THE PRODUCT IS LEAD-FREE, 2µm MINIMUM MATTE TIN OVER 1.27µm MINIMUM NICKEL UNDERPLATE.
  - b - MANUFACTURING PROCESS COMPATIBILITY
    - THE HOUSING WILL WITHSTAND EXPOSURE TO 260°C ±5°C SOLDER BATH TEMPERATURE FOR 5 SECONDS IN A WAVE SOLDER APPLICATION WITH A 1.6mm MIN THICK CIRCUIT BOARD.
  - c - LABELING:
    - MEETS PACKAGING SPECS AS PER GS-14-920
  - d - LEGAL STATEMENT: SEE GS-47-0004



mat'l. code SEE NOTES		surface ISO 1302	tolerance ISO 406 ISO 1101	projection	product family BERGSTIK	
ltr	ecn no	dr	date	tolerances unless otherwise specified	title UNSHR.HEADER RA DR TMT	
AR	F-47094	DDE	23.01.23	.X ±0.3	mm	
AS	F-50791	LMU	24.02.21	.XX ±0.15		
				.XXX ±0.05		
AL	F-23305	AMA	16.02.19	dr	D.LE	01.01.24
AM	F-27765	DDE	17.08.21	enfr	JM.C	01.01.24
AN	F-29937	DDE	18.04.20	chr	JM.C	01.01.24
AP	F-38414	DDE	20.09.18	appd	JF.N	01.01.24
sheet	revision	AS	AM			
index	sheet	1	2			



PLATING

- 1 = 0.76µm GOLD/GXT ON CONTACT AREA, 2µm TIN MIN ON TAIL
- 4 = 2µm TIN MIN FULL PLATED
- 5 = 0.25µm GOLD/GXT ON CONTACT AREA, 2µm TIN MIN ON TAIL ONLY AVAILABLE UPON REQUEST
- 8 = 0.38µm GOLD/GXT ON CONTACT AREA, 2µm TIN MIN ON TAIL
- G = 0.76µm FULL GXT
- S = 0.38µm FULL GXT
- 1.27µm NICKEL MIN UNDERLAYER FOR ALL PLATING VERSIONS

PRODUCTS SPECIFICATIONS		
PIN STYLE	MATING	SOLDER
01	5.72	2.57
03	5.84	2.41
04	5.84	3.05
10	8.07	3.05
12	6.80	3.05
14	10.00	2.70
15	7.00	16.40
16	7.80	13.50
17	7.48	1.60
18	8.80	2.90
19	2.60	2.60
20	N/A	
21	10.89	3.05
22	3.51	3.51
23	7.20	3.05
24	3.10	3.10
25	8.08	3.81
26	6.00	7.20

A

A

B

B

C

C

D

D



Copyright FCI

mat'l. code SEE NOTES				surface ISO 1302	tolerance ISO 406 ISO 1101	projection 	product family BERGSTIK
ltr	ecn no	dr	date	tolerances unless otherwise specified	linear	mm	title UNSHR.HEADER RA DR TMT
AG	B-21242	AMA	15.06.25	.X ±0.3			dwg no 77317 sheet 2 of size A3
AH	F-23305	AMA	16.02.19	.XX ±0.15			
AJ	F-27765	DDE	17.08.21	.XXX ±0.05		scale 5:1	type CUSTOMER Drawing
AK	F-29937	DDE	18.04.20	dr	D.LE	01.01.24	
AL	F-47094	DDE	23.01.23	enfr	JM.C	01.01.24	
AM	F-50791	LMU	24.02.21	chr	JM.C	01.01.24	
				appd	JF.N	01.01.24	
sheet index	revision sheet						