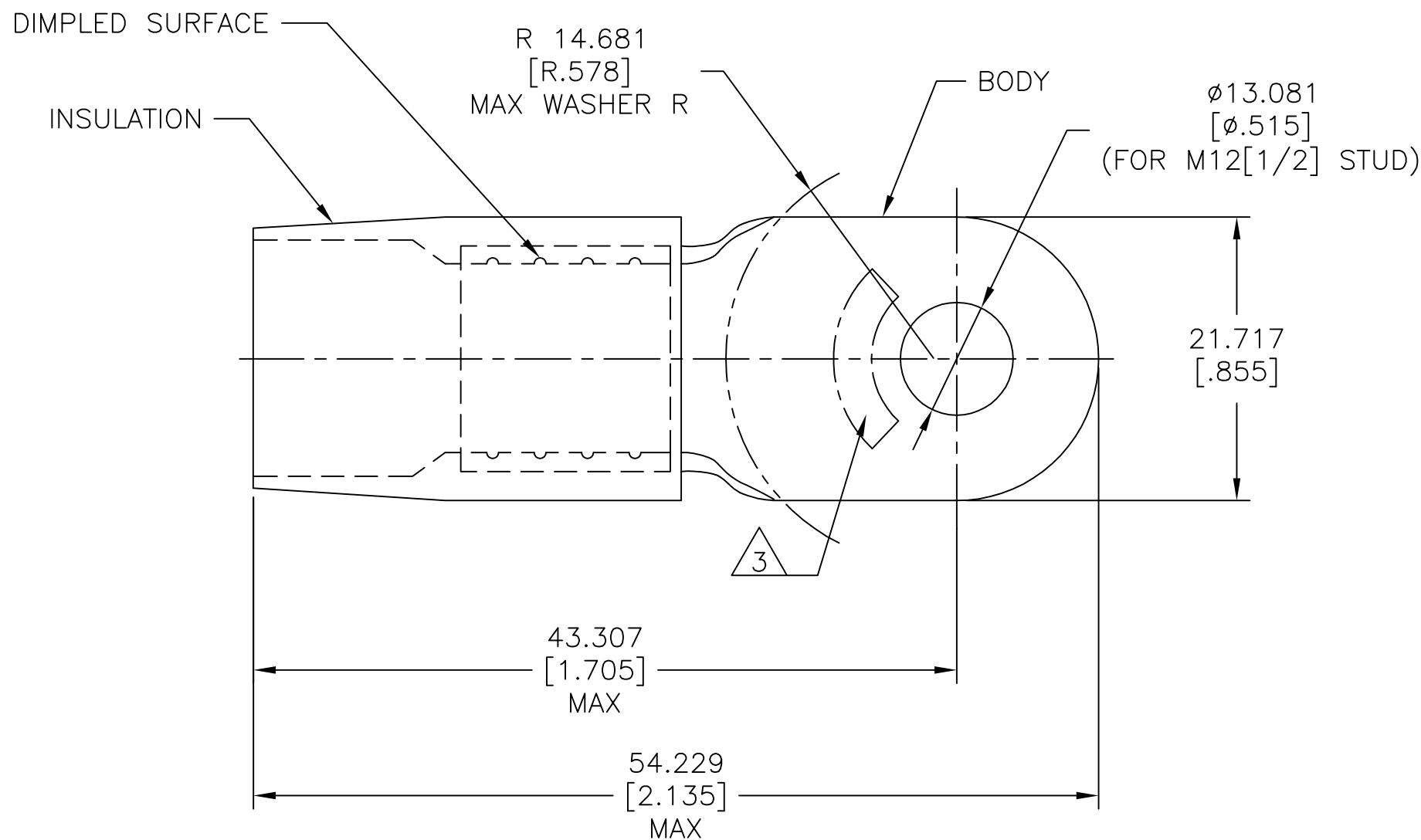
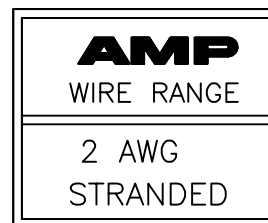


REVISIONS					
P	LTR	DESCRIPTION	DATE	DWN	APVD
	E	EC 0720-0279-93	6-21-93	SSG	BB
	E1	REVISED PER ECO-17-014333	17OCT2017	RS	DR



- 1 BODY MATERIAL THK 1.448±0.051[.057±.002]
- 2 FOR Ø11.887[Ø.468] MAX WIRE INS.
- △ 3 STAMP AMP 2* APPROX AS SHOWN.

MS25036-128 CLASS 2	50	LOOSE PC	324055
MILITARY P/N AND CLASS	QTY	PACKAGE TYPE	PART NO

AMP INCORPORATED CUSTOMER SERVICE SYSTEMS		MAX RECOMMENDED OPERATING TEMPERATURE: 105°C[221°F]	THIS DRAWING IS A CONTROLLED DOCUMENT.		DWN S.S. GOULDEN 6-21-93	TE Connectivity NAME TERMINAL, RING TONGUE, TERMINYL WIRE SIZE: 2 AWG			
FOR ADDITIONAL PRODUCT INFORMATION OR COPIES OF DRAWINGS AND TECHNICAL DOCUMENTS	PRODUCT INFORMATION CENTER 1-800-522-6752	VOLTAGE RATING: -	DIMENSIONS: mm [INCHES]	TOLERANCES UNLESS OTHERWISE SPECIFIED:	CHK R. HERSEY 6-21-93				
FOR APPLICATION TOOLING INFORMATION	TOOLING ASSISTANCE CENTER 1-800-722-1111	CIRCULAR MIL AREA: 26.7-42.4mm²[52,600-83,700] STRANDED		0 PLC ± -	APVD B. BARE 6-21-93	DRAWING NO			
FOR ORDER ENTRY	1-800-526-5142	THIS DRAWING IS A CONTROLLED DOCUMENT FOR AMP INCORPORATED. IT IS SUBJECT TO CHANGE AND THE CONTROLLING ENGINEERING ORGANIZATION SHOULD BE CONTACTED FOR THE LATEST REVISION.		MATERIAL BODY: COPPER PER ASTM B-152 INSULATION: NYLON ASTM D4066 TYPE I	1 PLC ± -	PRODUCT SPEC SAE AS7928	RESTRICTED TO		
				2 PLC ± -	APPLICATION SPEC	CAGE CODE			
				3 PLC ± 0.127[.005]	FINISH BODY: TIN PLATE PER ASTM B545 INSULATION: COLOR-RED	DRAWING NO			
				4 PLC ± -	WEIGHT	DRAWING NO			
				ANGLES ± -	A300779		C-324055		RESTRICTED TO
					CUSTOMER DRAWING		SCALE	SHEET	REV
							NTS	1 OF 1	E1

Mouser Electronics

Authorized Distributor

Click to View Pricing, Inventory, Delivery & Lifecycle Information:

[TE Connectivity:](#)

[324055](#)