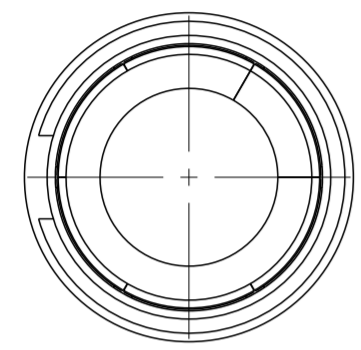


THIS DRAWING IS UNPUBLISHED. RELEASED FOR PUBLICATION 2006  
 © COPYRIGHT 2006 ALL RIGHTS RESERVED.

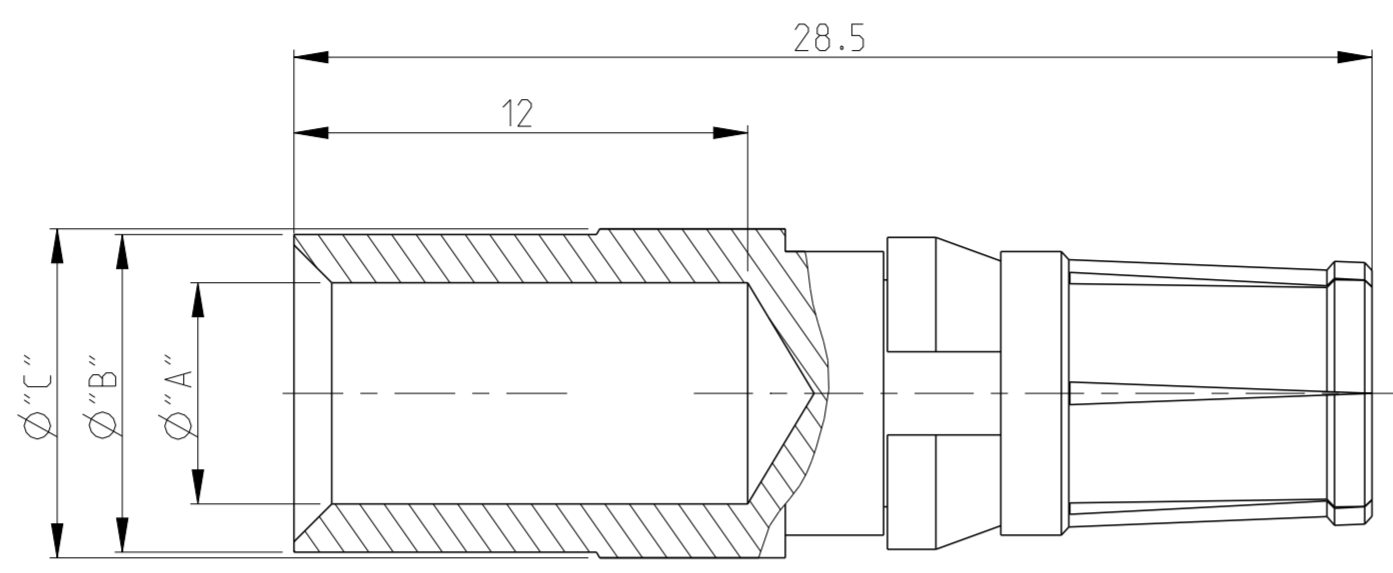
LOC	DIST	REVISIONS					
		P	LTR	DESCRIPTION	DATE	DWN	APVD
B1	-	C3		REVISED PER ECO-11-005150	31MAR2011	RK	HMR
		C4		ECR-11-021594	11NOV2011	RK	MKO
		C5		ECR-14-007793	25AUG2014	RK	MKO
		C6		REVISED PER ECR-16-016780	19AUG2017	NG	MKO

Notes

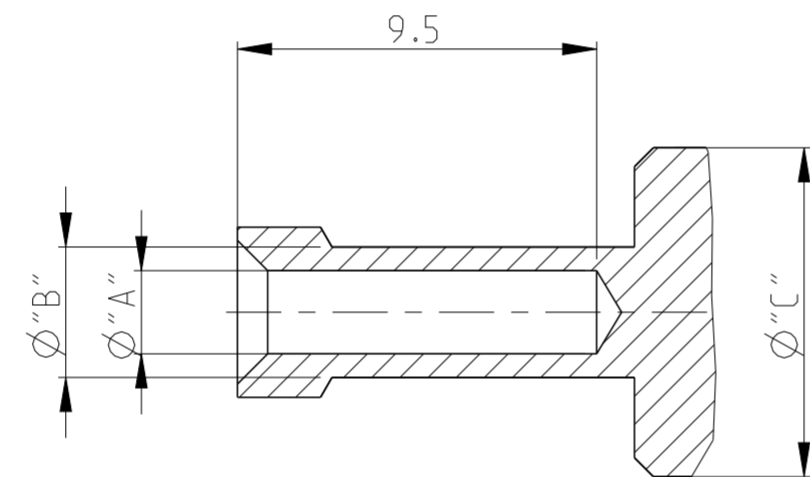
- 1 MATERIAL: BRASS
- 2 FINISH SILVER PLATING: 2 µm Ag MIN. OVER Cu
- 3 FINISH GOLD PLATING: 0.75 µm Au MIN. OVER Ni
- 4 WEIGHT (MAX.): 6.44 g, VOLUME (MAX.): 795mm<sup>3</sup> (APPROX.)
- 5 SUITABLE PIN CONTACT: CUSTOMER DRAWING 1105150
- 6 SUITABLE INSERTS: SERIES HSS, CUSTOMER DRAWING
- 7 SUITABLE CRIMP TOOL: PN 1-1105850-8
- 8 SUITABLE INSERTION TOOL: -
- 9 SUITABLE EXTRACTION TOOL: PN 0-1102855-5
- 10 FINE WIRE DIA. MAX. Ø4.5
- 11 STANDARDS: DIN EN 61984, DIN EN 60664-1
- 12 PACKAGING: 25 PIECES IN A POLY-BAG
- 13 PACKAGING: 1 PIECE LOOSE



WIRE CROSS-SECTION:  
 Ø6mm<sup>2</sup> - 16mm<sup>2</sup>



WIRE CROSS-SECTION:  
 Ø2.5mm<sup>2</sup> / 4mm<sup>2</sup>



OBSELETE										
	HSS-C-Bu.Au.16.0 mm <sup>2</sup>	GOLD	16.0	5.85	8.4	8.7	12	5-2	9-3	
	HSS-C-Bu.Au.10.0 mm <sup>2</sup>		10.0	4.35	5.9	8.7	12	4-2	9-2	
	HSS-C-Bu.Au.6.0 mm <sup>2</sup>		6.0	3.5	4.9	8.7	12	3-2	9-1	
	HSS-C-Bu.Ag.25.0 mm <sup>2</sup>	SILVER	25.0	7.0	9.45	9.6	12	6-1	8-7	
	HSS-C-Bu.Ag.16.0 mm <sup>2</sup>		16.0	5.85	8.4	8.7	12	5-1	8-6	
10	HSS-C-Bu.Ag.10.0 mm <sup>2</sup> -fine		10.0	4.6	5.9	8.7	12	4-3	8-5	
	HSS-C-Bu.Ag.10.0 mm <sup>2</sup>		10.0	4.35	5.9	8.7	12	4-1	8-4	
	HSS-C-Bu.Ag.6.0 mm <sup>2</sup>		6.0	3.5	4.9	8.7	12	3-1	8-3	
	HSS-C-Bu.Ag.4.0 mm <sup>2</sup>		4.0	2.8	3.9	8.7	12	2-1	8-2	
	HSS-C-Bu.Ag.2.5 mm <sup>2</sup>		2.5	2.2	3.45	8.7	12	1-1	8-1	
			[MM <sup>2</sup> ]	"A"	"B"	"C"	[MM]	PN	PN	
	ORDERING TEXT	PLATING	CROSS SECTION	DIMENSIONS			STRIPPING-LENGTH	WITH CLIP		

PARTS LIST

THIS DRAWING IS A CONTROLLED DOCUMENT.

DWN: K. SCHROEDER 10APR2008  
 CHK: H. BRAUN 10APR2008  
 APVD: T. SCHNURPFEL 10APR2008

**STE** TE Connectivity

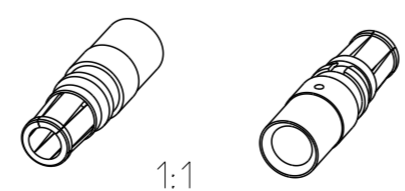
NAME: SOCKET CONTACT SERIES HSS

PRODUCT SPEC: 108-74016  
 APPLICATION SPEC: 114-74028

SIZE: A2 CAGE CODE: 00779 DRAWING NO: 1105151 RESTRICTED TO: -

WEIGHT: - SCALE: 5:1 SHEET 1 OF 1 REV: C6

Customer Drawing



1:1

# Mouser Electronics

Authorized Distributor

Click to View Pricing, Inventory, Delivery & Lifecycle Information:

[TE Connectivity:](#)

[2-1105151-1](#)