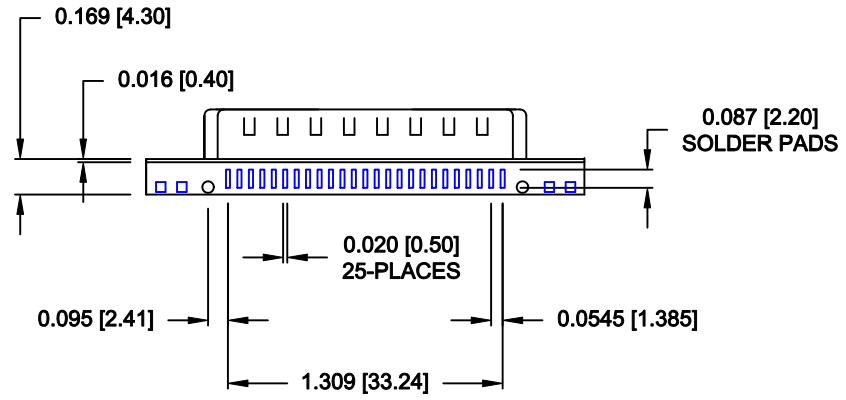
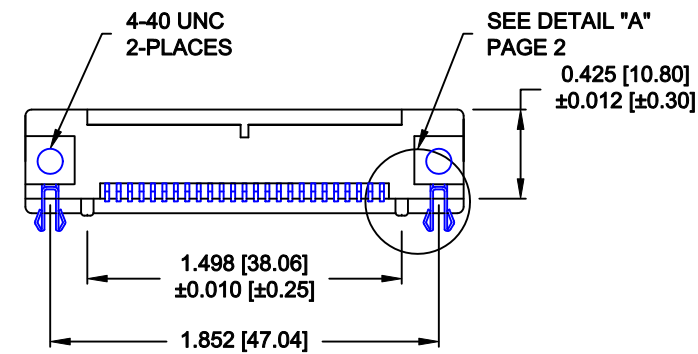
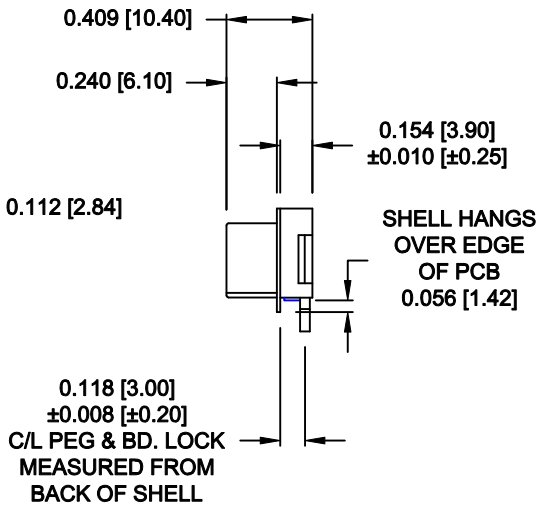
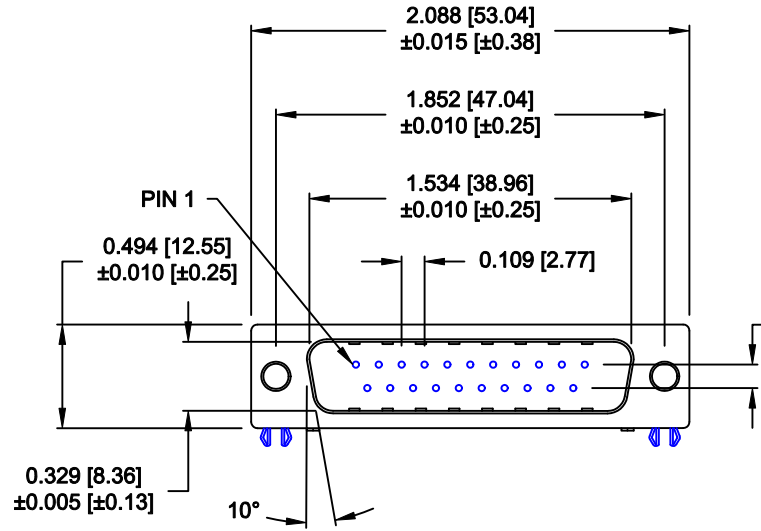


DESCRIPTION: 25 POS - MALE - SURFACE MOUNT

MATERIAL/FINISH:

- SHELL: STEEL, NICKEL PLATED
- BRACKET: BRASS, NICKEL PLATED
- INSULATOR: NYLON 6T-UL 94V-0, BLACK, (TEMP. RESISTANCE 250° C FOR 60 SEC.)
- INSULATOR: PATONE #322C, COLOR = Pc99
- CONTACT: PHOSPHOR BRONZE, TIN PLATED
- GOLD FLASH - MATING AREA
- TIN - TERMINATING AREA



ELECTRICAL:

- RATED CURRENT: 5 AMPS
- RATED VOLTAGE: 300VDC
- WITHSTANDING VOLTAGE: 500VAC (rms) FOR 1 Min.
- INSULATION RESISTANCE: > 1,000mOhms AT 500VDC
- CONTACT RESISTANCE: 13mOhms Max.
- DIELECTRIC STRENGTH: 1,000VAC FOR 1 MINUTE
- OPERATING TEMPERATURE: -55° ~ +105° C

DO NOT SCALE FROM DRAWING



THESE DRAWINGS AND SPECIFICATIONS ARE THE PROPERTY OF NorComp AND SHALL NOT BE REPRODUCED, COPIED OR USED AS THE BASIS FOR THE MANUFACTURE OR SALE OF APPARATUS WITHOUT WRITTEN PERMISSION.

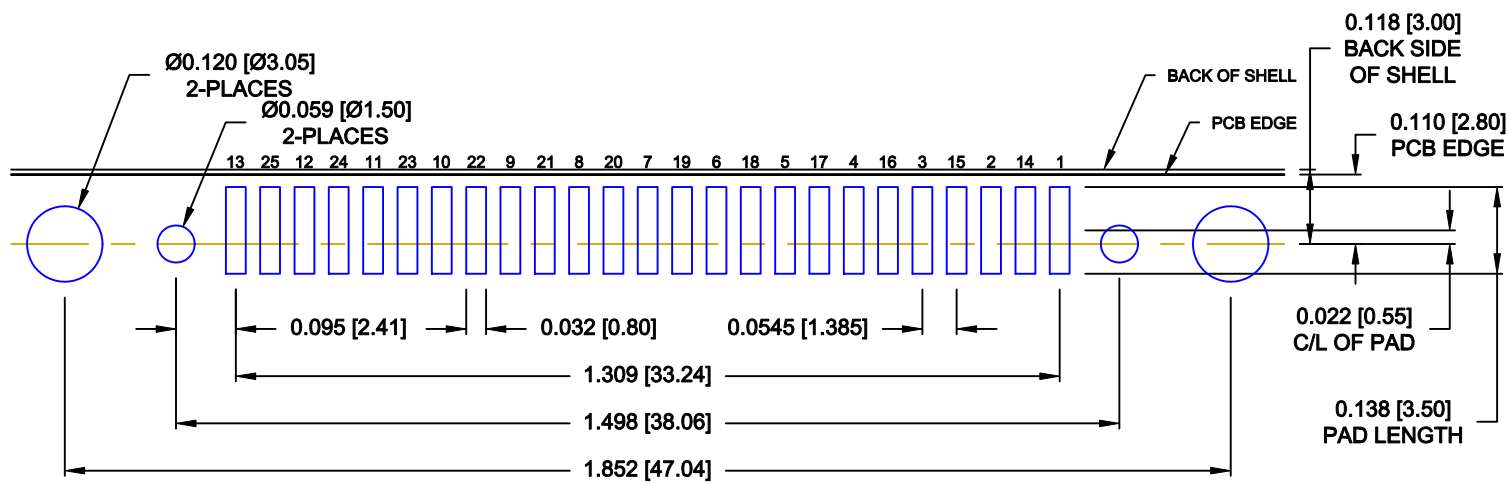
DRAWN: C. SMITH	DATE: 04-14-09
CHECKED:	DATE:

NorComp

SCALE: 1.5 : 1	SHEET 1	OF 2	REV 10
--------------------------	-------------------	----------------	------------------

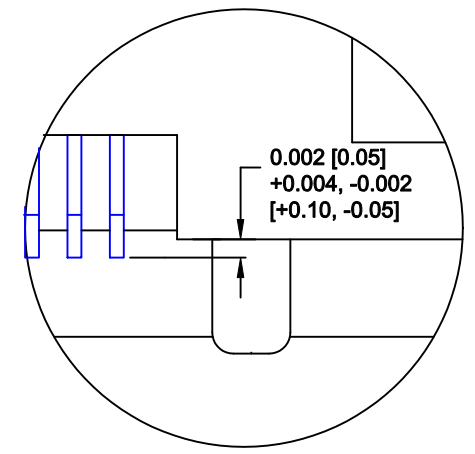
DWG NO. **190-025-163R001**

RoHS COMPLIANT



RECOMMENDED PCB LAYOUT

SCALE = 3 : 1

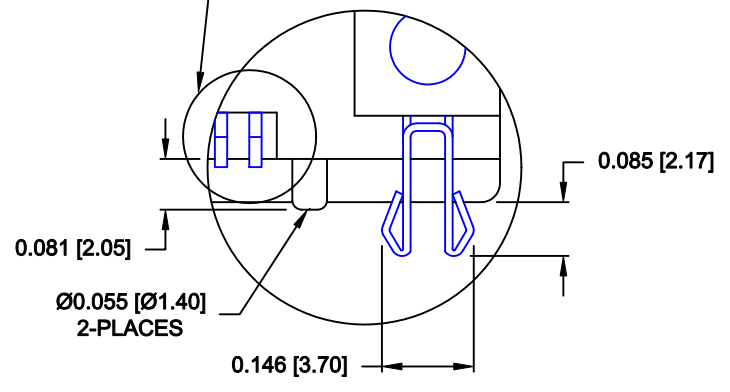


DETAIL "B"
CONTACT COPLANARITY

CONTACT ARRANGEMENT

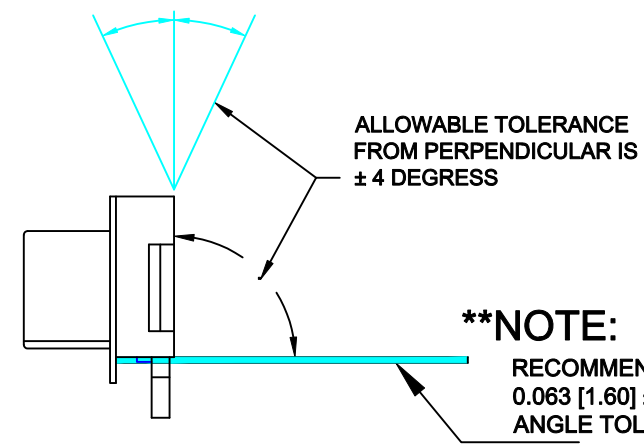
13 25 12 24 11 23 10 22 9 21 8 20 7 19 6 18 5 17 4 16 3 15 2 14 1

SEE DETAIL "B" FOR CONTACT COPLANARITY



DETAIL "A"

SCALE = 3 : 1



DO NOT SCALE FROM DRAWING

	THESE DRAWINGS AND SPECIFICATIONS ARE THE PROPERTY OF NorComp AND SHALL NOT BE REPRODUCED, COPIED OR USED AS THE BASIS FOR THE MANUFACTURE OR SALE OF APPARATUS WITHOUT WRITTEN PERMISSION.		DRAWN: C. SMITH	DATE: 04-14-09
			CHECKED:	DATE:
NorComp		SCALE: AS NOTED	SHEET 2 OF 2	REV 10
		DWG NO. 190-025-163R001		

Mouser Electronics

Authorized Distributor

Click to View Pricing, Inventory, Delivery & Lifecycle Information:

[NorComp:](#)

[190-025-163R001](#)