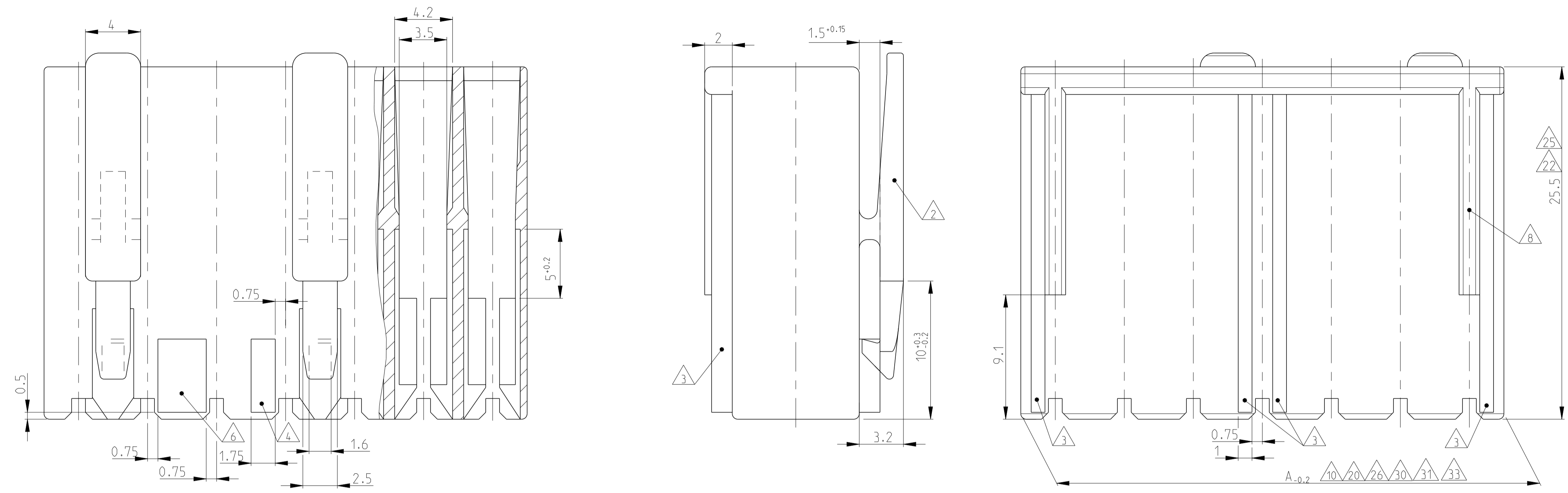
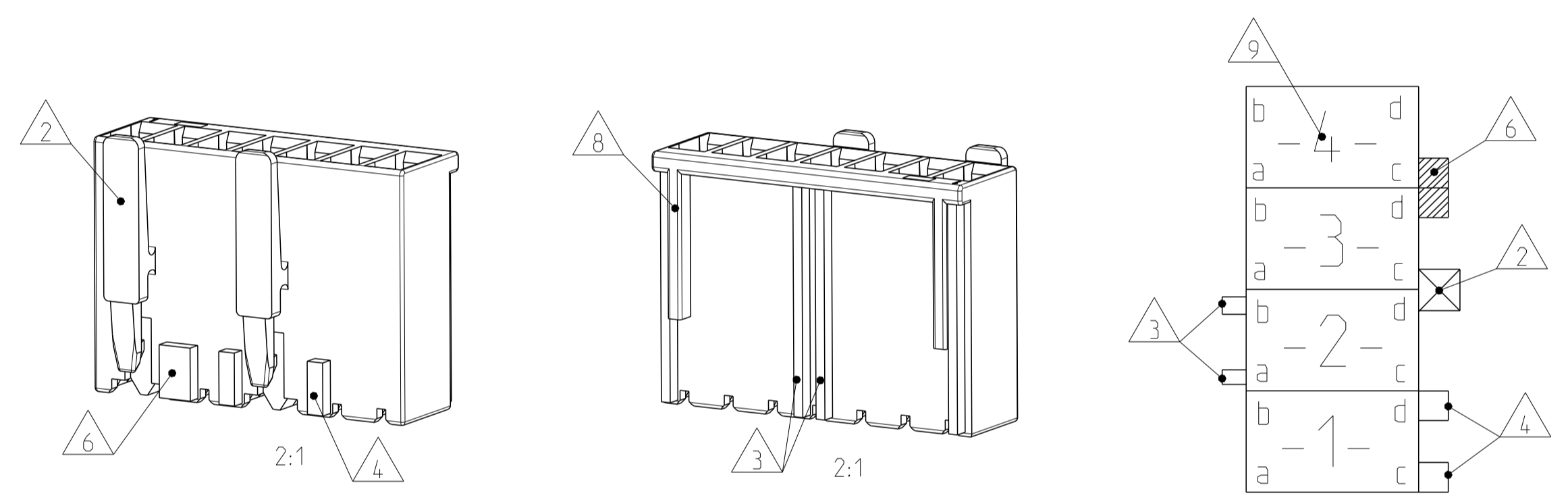


LOC	DIST	REV	DESCRIPTION	DATE	DMN	APVD
A1	-	P	LTN			
B43			ECR-19-018152	25NOV2019	SM	FL
B44			REVISED PER ECR-19-019212	12DEC2019	BDA	DC
B45			ECR-20-001343	13FEB2020	DC	FL
B46			ECR-20-003380	10MAR2020	SM	FL



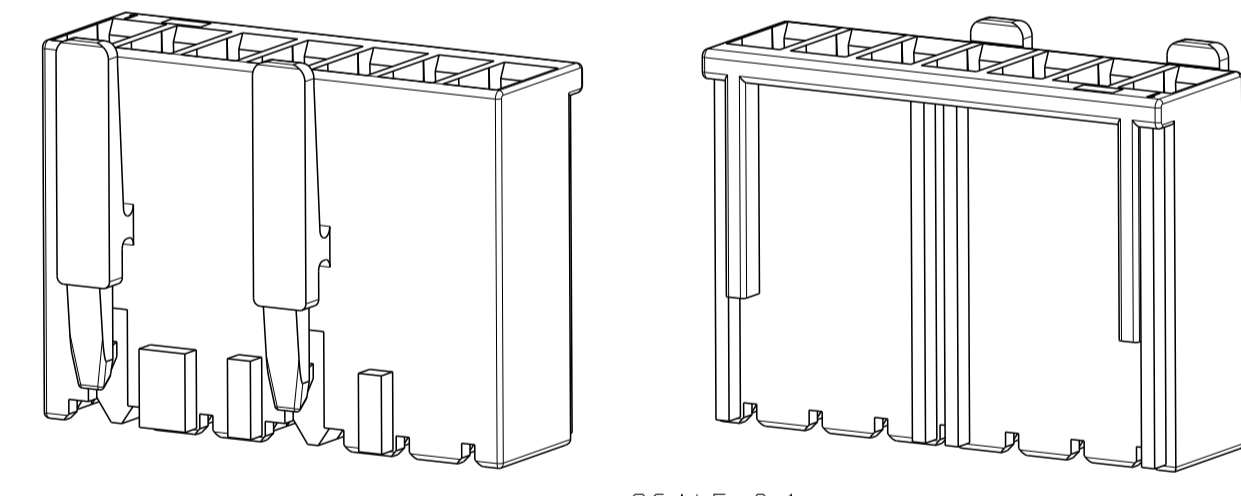
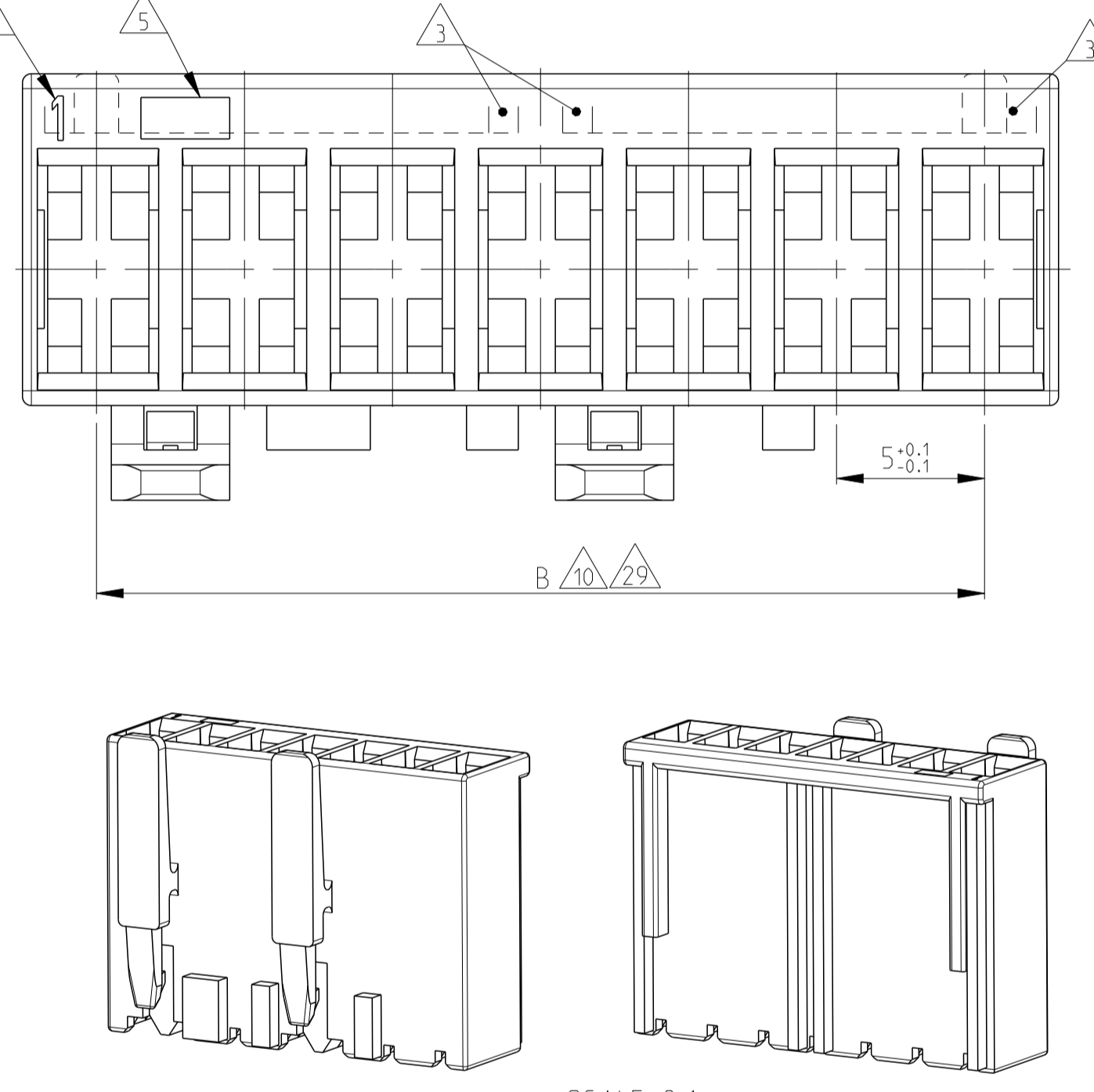
- 1 CAVITY SUITABLE TO STANDARD TIMER CONTACTS LISTED IN PROD: SPEC: 108-18049, ITEM 3.3.2  
Kammer geeignet für Standard Timer Kontakte gelistet in Prod. Spec. 108-18049, Punkt 3.3.2
- 2 LOCKING LATCH BETWEEN CAVITY NO. Rasthaken zwischen Kammernummer
- 3 POLARIZATION RIB POSITION "a" OR POSITION "b", AT CAVITY NO..  
Polarisierungsrippen (Lage "a") oder (Lage "b") versetzt bei Kammer Nr
- 4 KEYING RIB POSITION "c" OR POSITION "d", AT CAVITY NO..  
Kodierungsrippen nach unten (Lage "c") oder oben (Lage "d") versetzt bei Kammernummer
- 5 AREA FOR TE LOGO ACC. TO SPEC 202-36  
Bereich für TE Logo nach Spec. 202-36
- 6 WIDTH KEYING RIB BETWEEN CAVITY NO. Breite Kodierrippe zwischen Kammer Nr.
- 7 SUITABLE TO TAB 6.3x0.8mm AND 4.8x0.8mm ACCORDING TO DIN 46244  
Geeignet für Flachstecker 6.3x0.8mm und 4.8x0.8mm nach DIN 46244
- 8 MATING STOP BETWEEN CAVITY NO.1 AND 2, ALSO BETWEEN THE LAST AND THE LAST BUT ONE CAVITY  
Tiefenanschlag zwischen Kammer Nr.1 und 2, ebenfalls zwischen der letzten und vorletzten Kammer
- 9 CONTACT CAVITY NO. Kammernummer
- 10 DIMENSION A AND DIMENSION B SEE SHEET 2 OF 3  
Maß A und Maß B siehe Blatt 2 von 3
- 11 MATED WITH TE CONNECTOR: SEE TABLE, SHEET 2 OF 3  
Passender TE Gegenstecker: siehe Tabelle, Seite 2 von 3
- 12 GENERAL SUITABLE TAB HEADER HOUSING SEE RAST 5 PERFORMANCE  
Generell passende Flachsteckerwanne, siehe RAST 5 Vorgabe
- 13 CONNECTION TO THE PC BOARD SEE DRAWING 88-9935-4  
Leiterplattenanschluß siehe Zeichnung 88-9935-4
- 14 SEE TABLE, SHEET 2 OF 3  
Siehe Tabelle, Blatt 2 von 3
- 15 MATERIAL CORRESPONDS TO THE REQUIREMENT EN 60335 (INCL. GLOW WIRE TEST 750°C WITHOUT FLAME)
- 16 WIRE TANGLING PROTECTION
- 17 WIRE TANGLING PROTECTION IN COMBINATION WITH CODING RIBS, ONLY VALID FOR VERSIONS 5-964702-3, 0-964702-3, 0-964702-1
- 18 KEYING ACC. TO RAST-5 STANDARD; COLOUR IS DIFFERENT
- 19 8 POS. SPECIAL VERSION WITH SWAGED KEYING RIB
- 20 SPECIAL MATERIAL PA66, UL 94 V0
- 21 DIMENSION "A" IS ACCEPTED WITHIN TOLERANCE +0.05/-0.20.
- 22 PRELIMINARY PART- NOT YET RELEASED FOR PRODUCTION
- 23 ONLY FOR PN 2178600-2, 3-2178600-2, 4-2178600-2, 5-2178600-2, TOLERANCE IS +0.4 -0.2, WORST CASE CAN BE OUT OF RAST STANDARD.
- 24 ONLY FOR PN 2178600-2, 3-2178600-2, 4-2178600-2, 5-2178600-2, TOLERANCE IS ±4°
- 25 ONLY FOR PN 3-1241965-5, 3-1241965-7 TOLERANCE IS +0.3 -0.2
- 26 ONLY FOR PN 3-1241965-5, 3-1241965-7 TOLERANCE IS +0.2 -0.2
- 27 ONLY FOR PN 3-1241965-5, 3-1241965-7 TOLERANCE IS +0.05 -0.2
- 28 OBSOLETE PART
- 29 ONLY FOR 4-1241965-7, TOLERANCE IS -0.3
- 30 ONLY FOR 4-1241965-7, TOLERANCE IS +0.2/-0.25
- 31 ONLY FOR 1-2178029-3, TOLERANCE IS +0.15/-0.2

DESCRIPTION  
 POSITION OF THE KEYING RIBS, POLARISATION RIBS AND THE LOCKING LATCH

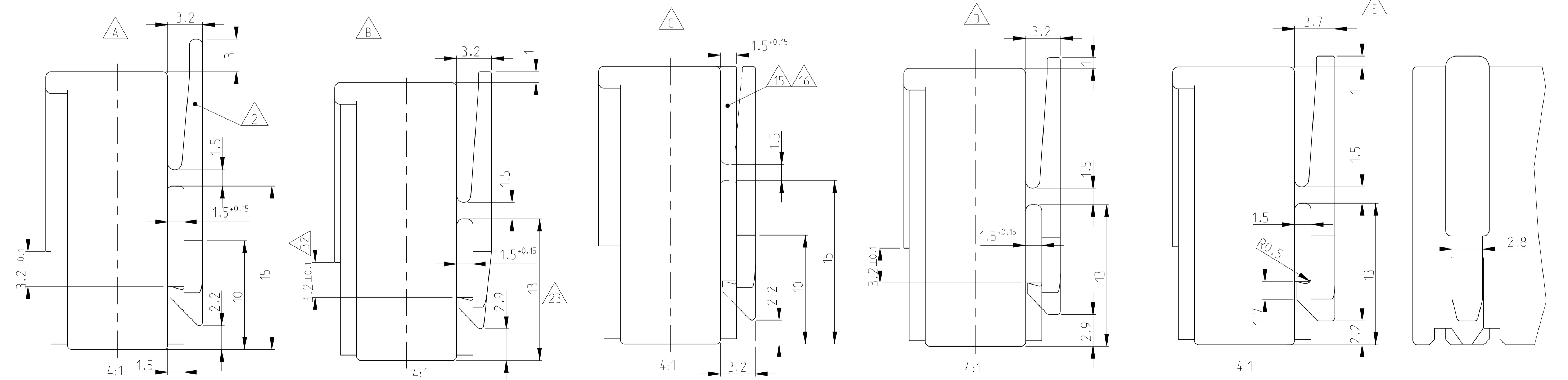


PAY ATTENTION!  
 DIFFERENT LOCKING LATCHES

ALL OTHER DIMENSIONS ARE SAME



SCALE 2:1

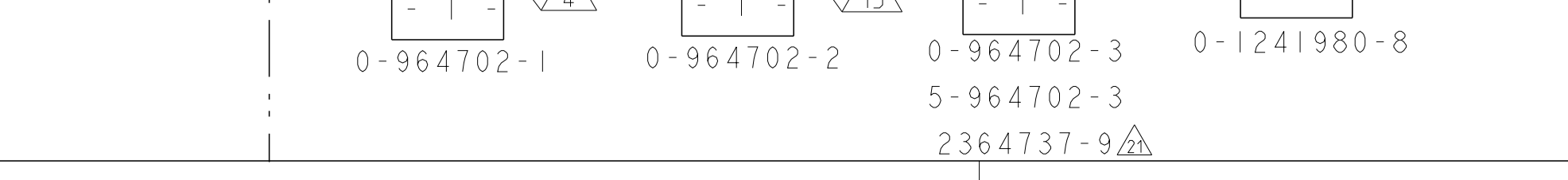
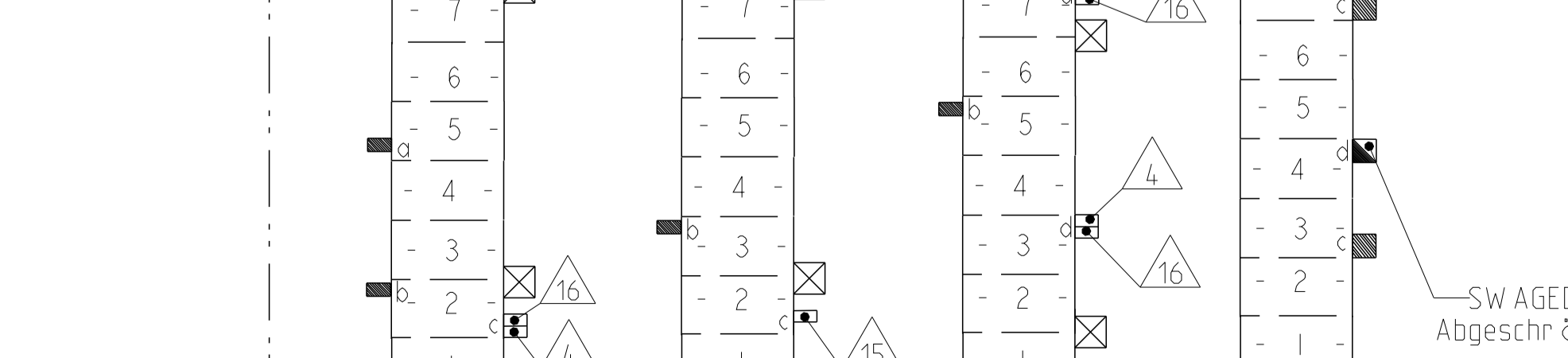
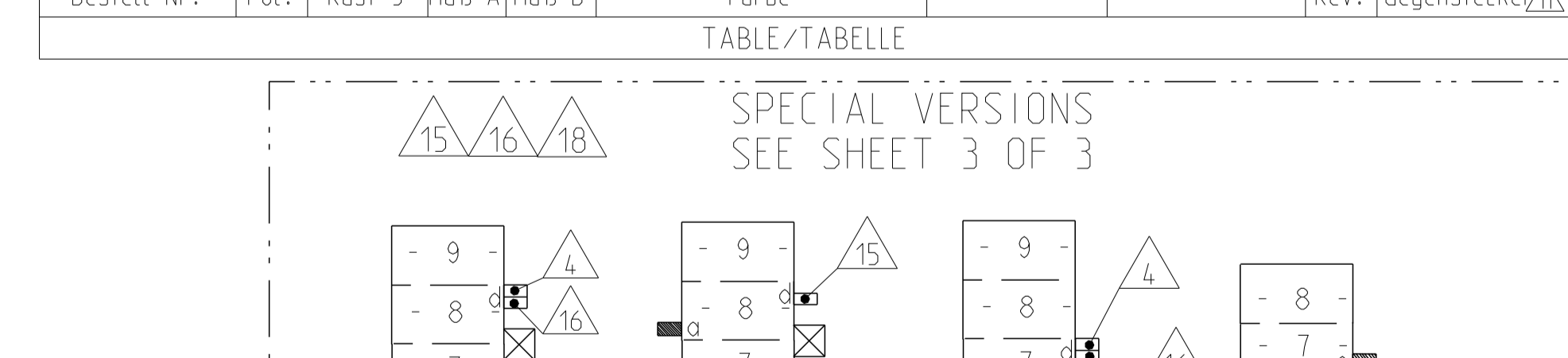
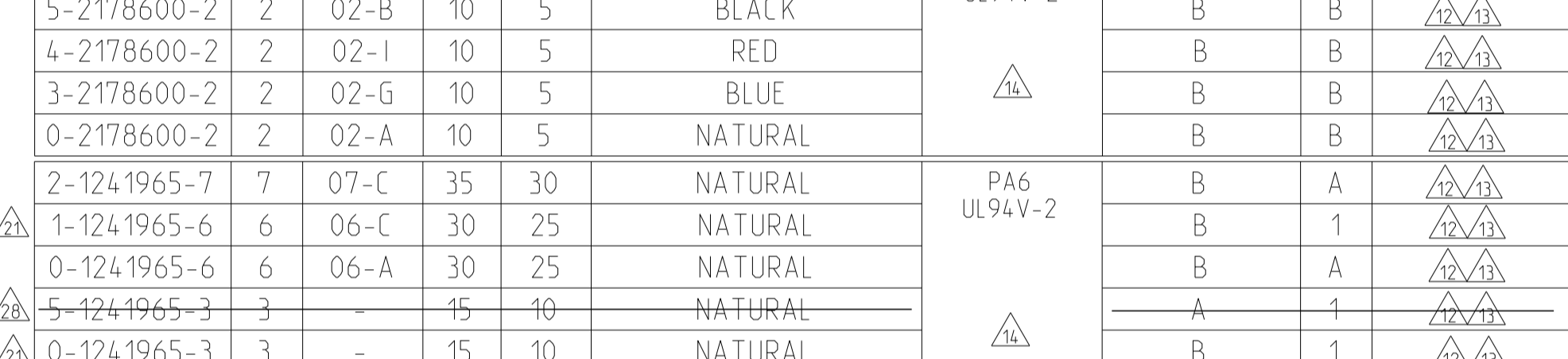
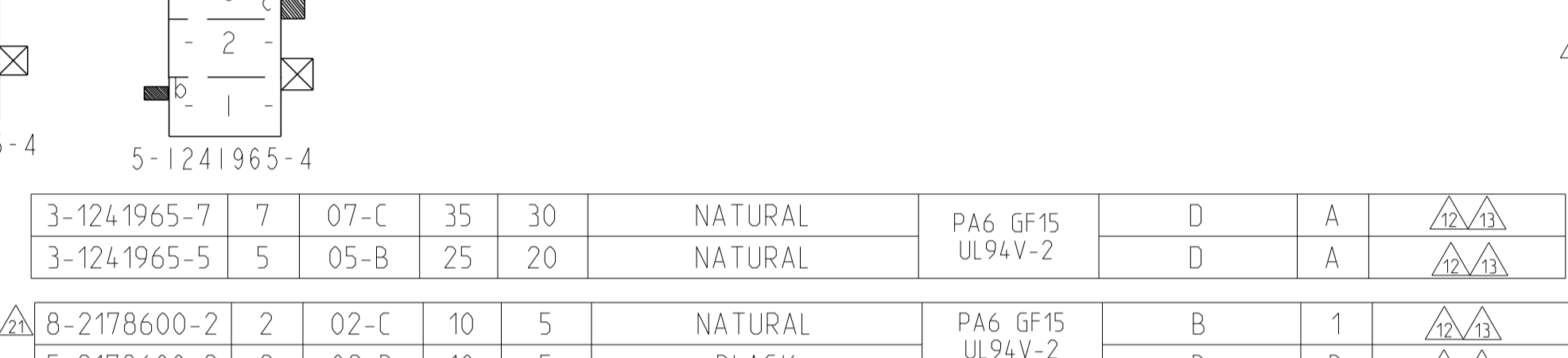
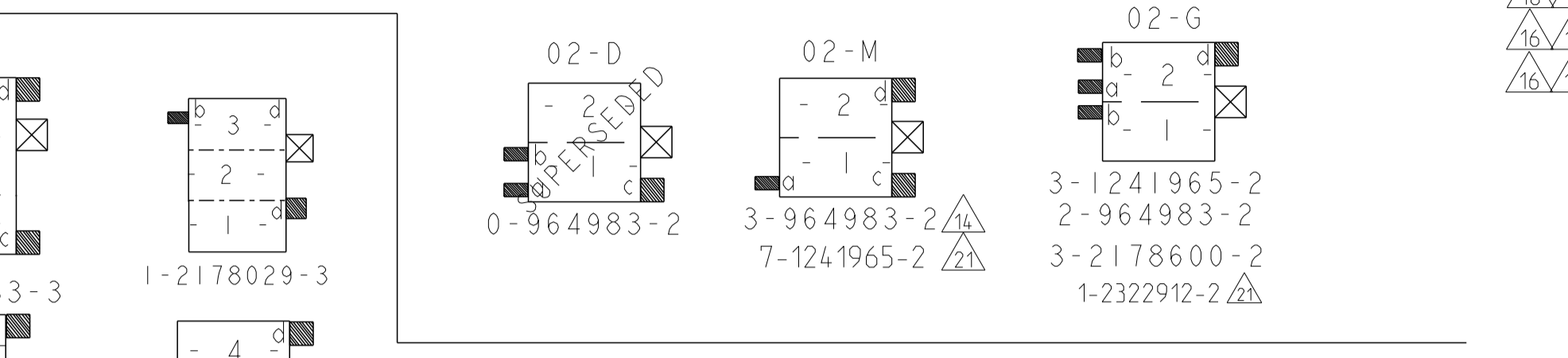
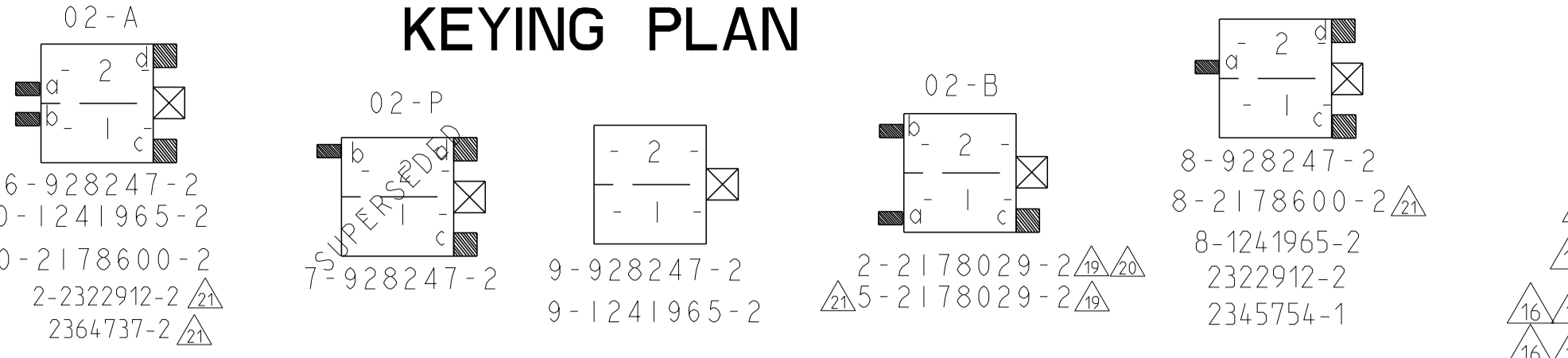
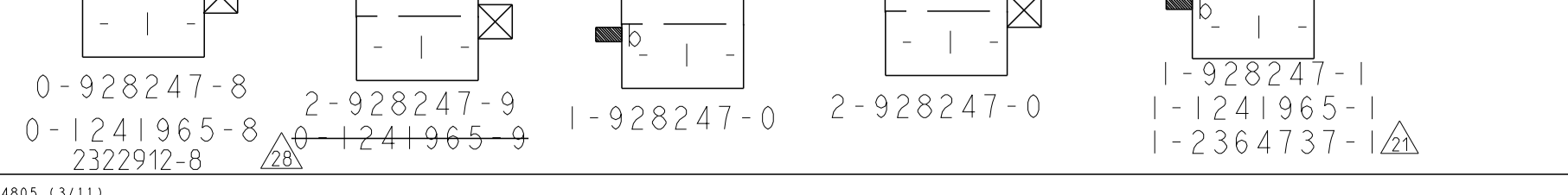
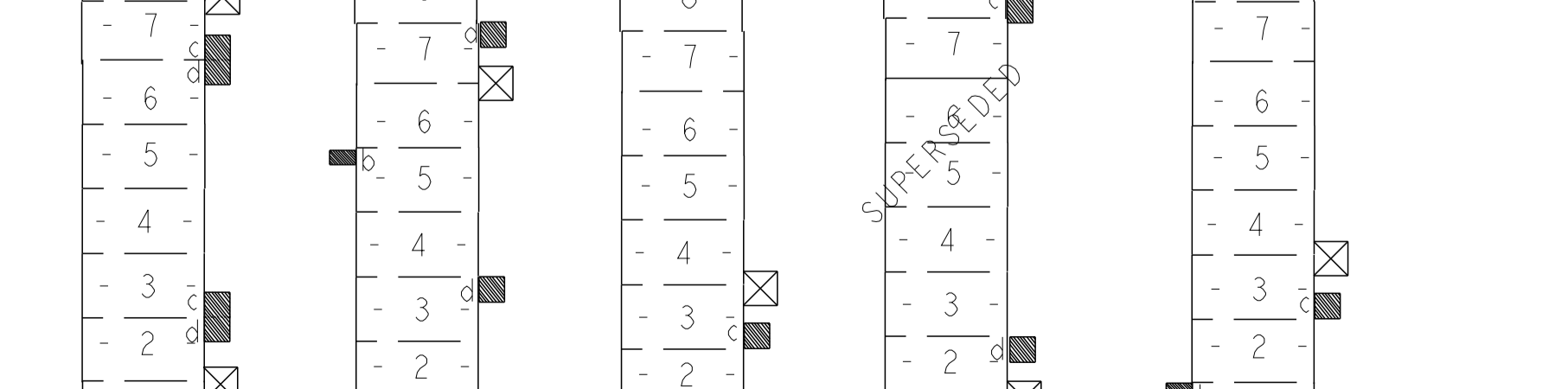
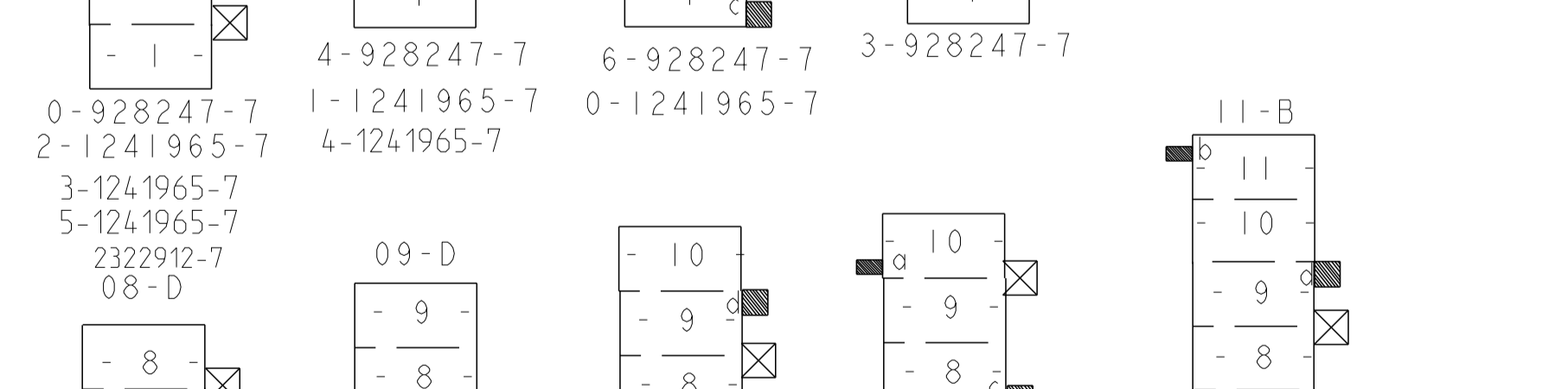
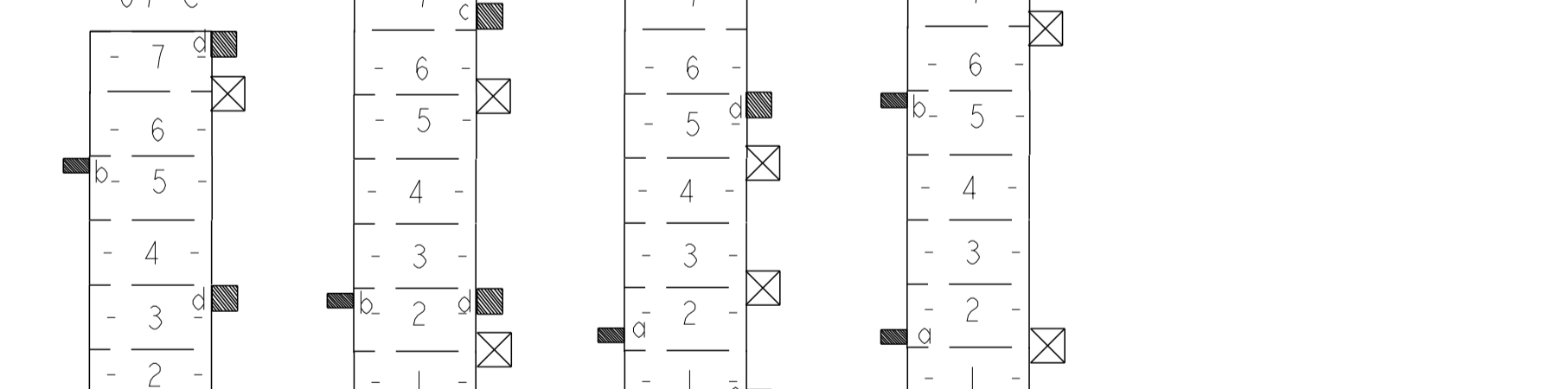
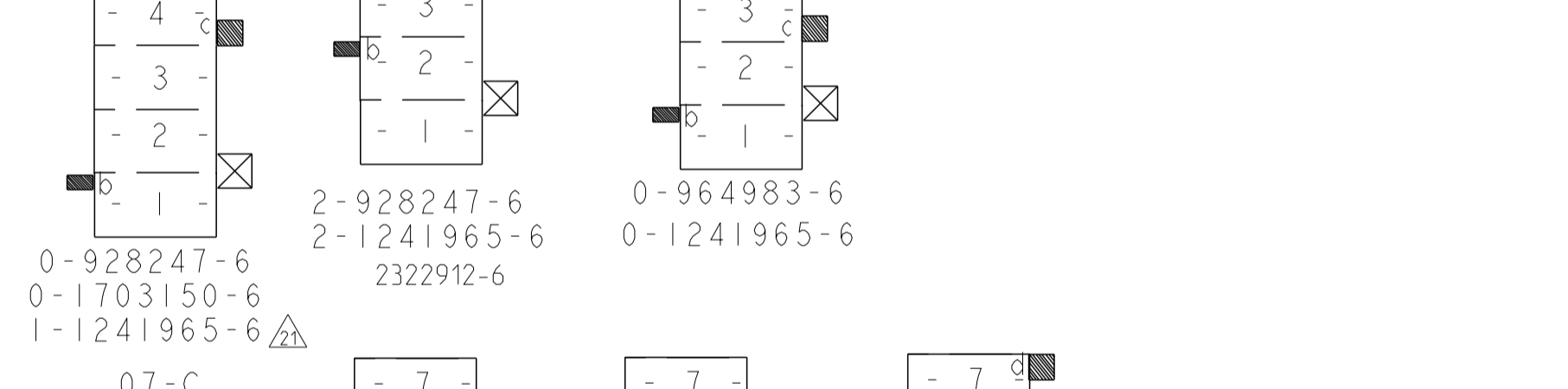
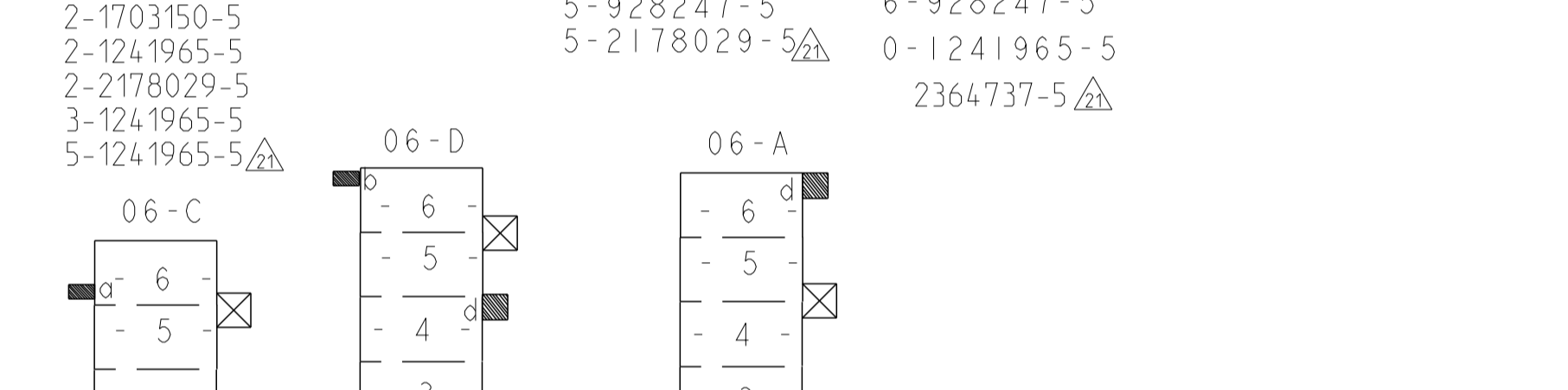
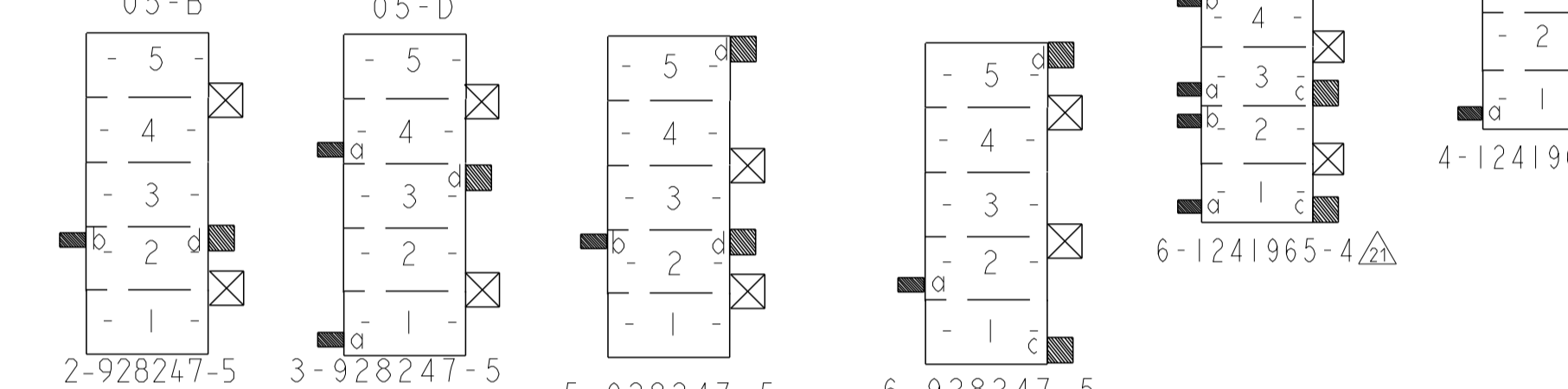
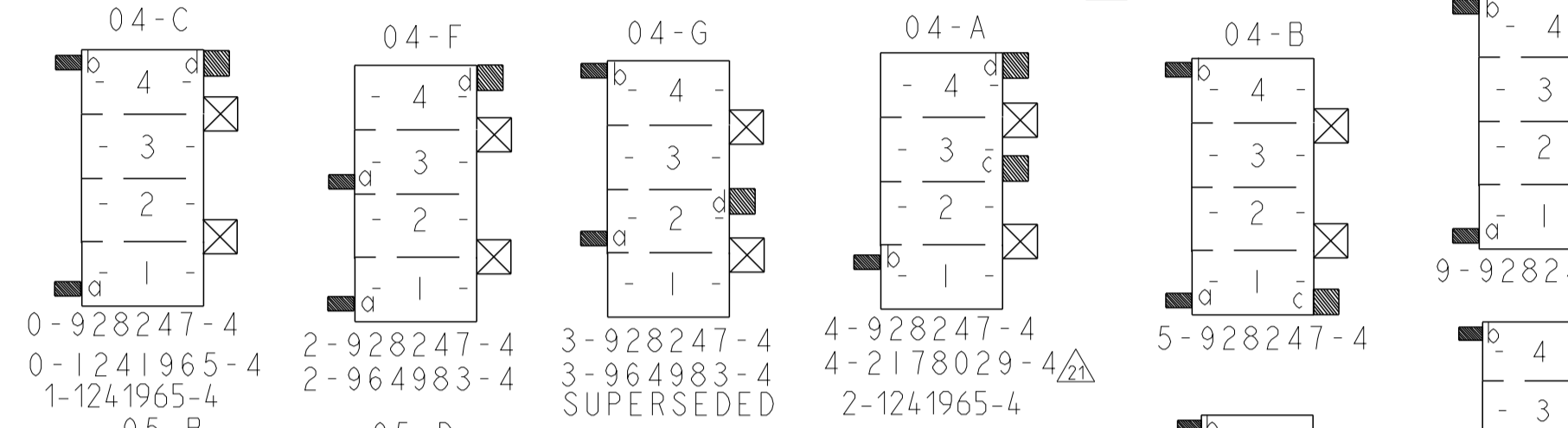
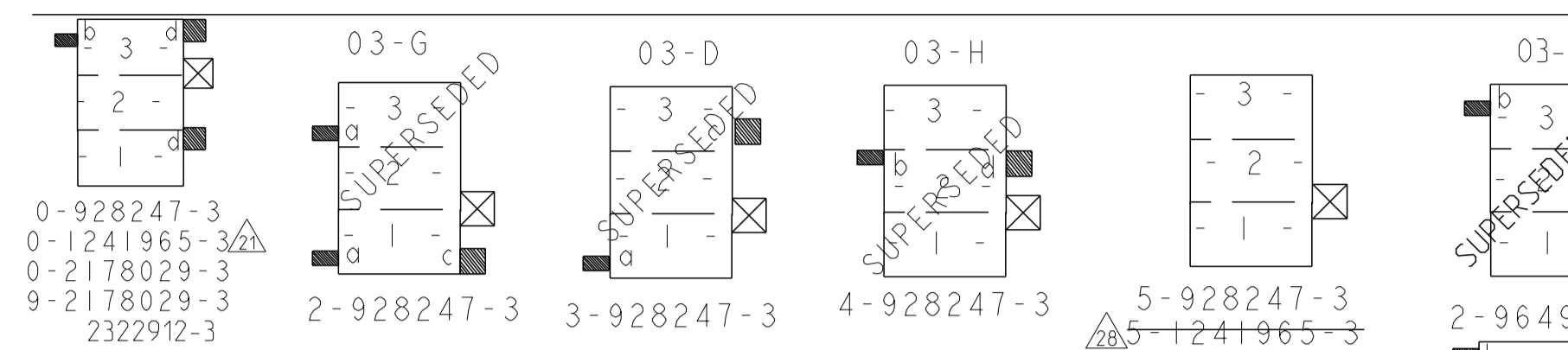
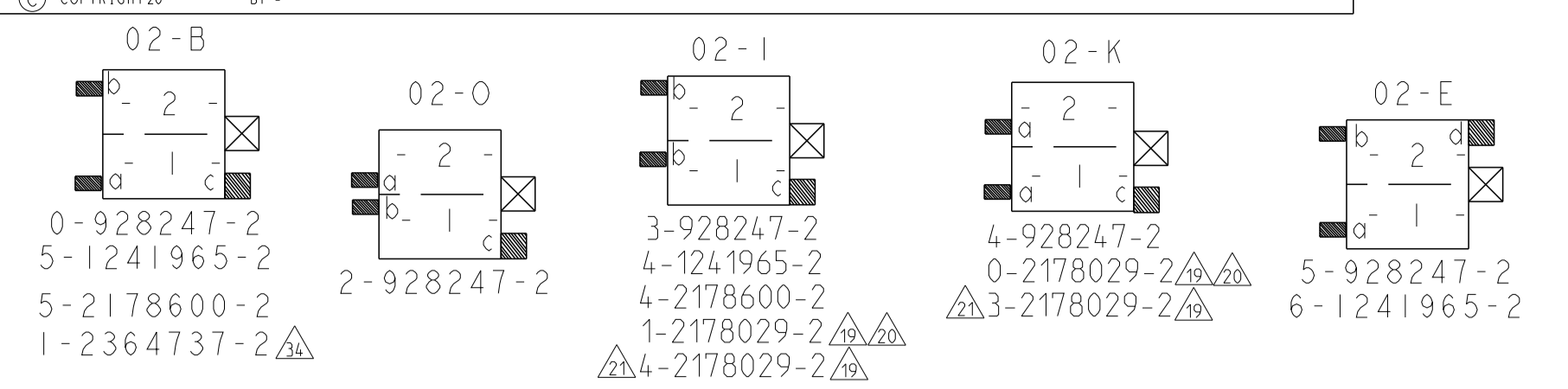


ADDITIONAL NOTES SEE 3 OF SHEET 4

THIS DRAWING IS A CONTROLLED DOCUMENT.		DMN: Kishor M	18JUL2017	<b>TE</b> TE Connectivity
DIMENSIONS: mm		CHK: K. Mundz	07-NOV-06	
TOLERANCES UNLESS OTHERWISE SPECIFIED: # ±0.2		APVD: Th. Klenner	07-NOV-06	NAME: 2-12 POS. STANDARD TIMER HSG WITH EXTERIOR LOCKING
1-PLC # ±0.1		PRODUCT SPEC: 108-18049		
2-PLC # ±0.1		APPLICATION SPEC:		SIZE: A1
3-PLC # ±0.001		WEIGHT: -		
MATERIAL: SEE TABLES		FINISH: -		Customer Drawing
ANGLES: -		SCALE: 5:1		SHEET 1 OF 4
REV: B46		©=1241965		RESTRICTED TO

# KEYING PLAN

LOC		DIST		REVISIONS			
A	1	P	LTM	DESCRIPTION	DATE	OWN	APVD
		-	-	SEE SHEET 1	-	-	-

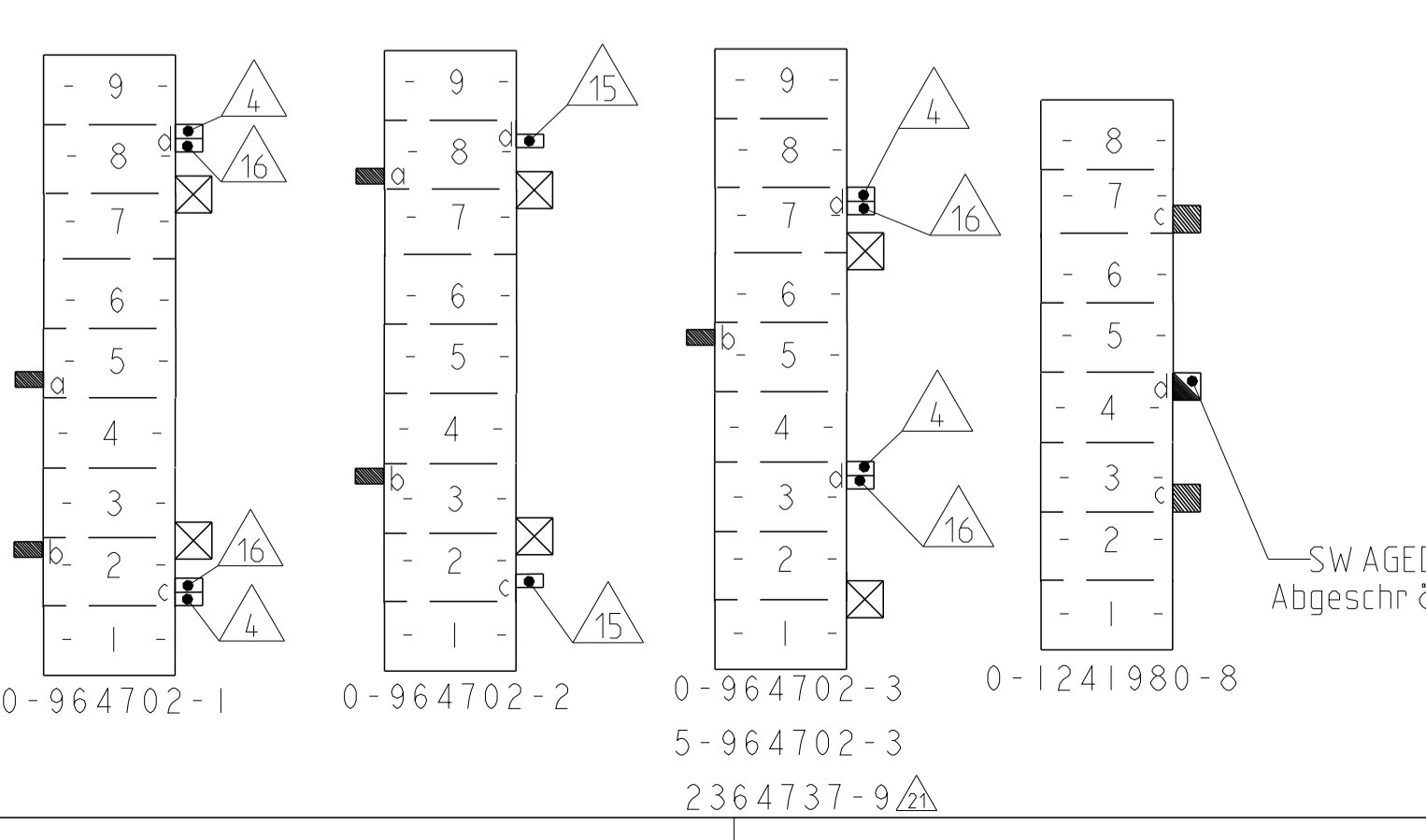


PART NO.	POS.	RAST 5	DIM A	DIM B	COLOUR	MATERIAL	LOCKING LATCH	REV.	MATED WITH
Bestell-Nr.	Pol.	Rast 5	Maß A	Maß B	Farbe		Rasthaken	Rev.	Gegenstecker
3-1241965-7	7	07-C	35	30	NATURAL	PA6 GF15 UL94V-2	D	A	12/13
3-1241965-5	5	05-B	25	20	NATURAL	UL94V-2	D	A	12/13
8-2178600-2	2	02-C	10	5	NATURAL	PA6 GF15 UL94V-2	B	1	12/13
5-2178600-2	2	02-B	10	5	BLACK	UL94V-2	B	B	12/13
4-2178600-2	2	02-I	10	5	RED	UL94V-2	B	B	12/13
3-2178600-2	2	02-G	10	5	BLUE	UL94V-2	B	B	12/13
0-2178600-2	2	02-A	10	5	NATURAL	UL94V-2	B	B	12/13
2-1241965-7	7	07-C	35	30	NATURAL	UL94V-2	B	A	12/13
1-1241965-6	6	06-C	30	25	NATURAL	UL94V-2	B	1	12/13
0-1241965-6	6	06-A	30	25	NATURAL	UL94V-2	B	A	12/13
5-1241965-3	3	-	15	10	NATURAL	UL94V-2	A	1	12/13
0-1241965-3	3	-	15	10	NATURAL	UL94V-2	B	1	12/13
6-1241965-2	2	02-E	10	5	NATURAL	UL94V-2	B	A	12/13

5-2178029-5	5	-	25	20	GREEN	UL94V-0	B	1	12/13
2-2178029-5	5	-	25	20	BLACK	UL94V-0	B	A	12/13
4-2178029-4	4	-	20	15	NATURAL	UL94V-0	B	1	12/13
9-2178029-3	3	-	15	10	YELLOW	UL94V-0	B	A	12/13
1-2178029-3	3	-	15	10	NATURAL	UL94V-0	B	B	12/13
0-2178029-3	3	-	15	10	NATURAL	UL94V-0	B	A	12/13
5-2178029-2	2	02-B	10	5	NATURAL	UL94V-0	B	1	12/13
4-2178029-2	2	02-I	10	5	NATURAL	UL94V-0	B	1	12/13
3-2178029-2	2	02-K	10	5	NATURAL	UL94V-0	B	1	12/13
2-2178029-2	2	02-B	10	5	BLACK	UL94V-0	B	A	12/13
1-2178029-2	2	02-I	10	5	RED	UL94V-0	B	A	12/13
0-2178029-2	2	02-K	10	5	GREEN	UL94V-0	B	A	12/13

PART NO.	POS.	RAST 5	DIM A	DIM B	COLOUR	MATERIAL	LOCKING LATCH	REV.	MATED WITH
Bestell-Nr.	Pol.	Rast 5	Maß A	Maß B	Farbe		Rasthaken	Rev.	Gegenstecker

## SPECIAL VERSIONS SEE SHEET 3 OF 3



		7-1241965-2	2	02-M	10	5	NATURE	UL94 V-0	B	1	12/13
		0-1241980-8	8	-	40	35	NATURE/natur	UL94V-0	-	B	12/13
		5-964702-3	-	-	-	-	NATURE/natur	UL94V-2	C	E	12/13
		0-964702-3	-	-	45	40	NATURE/natur	UL94V-2	C	E	12/13
		0-964702-2	9	-	-	-	BLACK/schwarz	UL94V-2	C	E	12/13
		0-964702-1	-	-	-	-	NATURE/natur	UL94V-2	C	E	12/13
		0-964983-6	6	06-A	30	25	WHITE/weiß	UL94V-2	B	D	12/13
		3-1241817-4	4	04-G	20	15	GREY/grau	UL94V-2	B	D	12/13
		2-964983-4	4	04-F	20	15	ORANGE/orange	UL94V-2	B	D	12/13
		2-1241817-3	3	03-K	15	10	GREEN/grün	UL94V-2	B	D	12/13
		2-964983-2	2	02-M	10	5	VIOLET/violett (lila)	UL94V-2	B	D	12/13
		2-964983-2	2	02-G	10	5	BLUE/blau	UL94V-2	B	D	12/13
		0-964983-2	2	02-D	10	5	BLACK/schwarz	UL94V-2	B	D	12/13
		1-1241965-1	11	11-B	55	50	NATURE/natur	UL94V-2	B	D	12/13
		0-1241965-9	9	09-D	45	40	NATURE/natur	UL94V-2	B	D	12/13
		0-1241965-8	8	08-D	40	35	NATURE/natur	UL94V-2	B	D	12/13
		1-1241965-7	7	-	35	30	NATURE/natur	UL94V-2	B	D	12/13
		0-1241965-7	7	-	35	30	NATURE/natur	UL94V-2	B	D	12/13
		2-1241965-6	6	06-D	30	25	NATURE/natur	UL94V-2	B	D	12/13
		2-1241965-5	5	05-B	25	20	NATURE/natur	UL94V-2	B	D	12/13
		0-1241965-5	5	-	25	20	NATURE/natur	UL94V-2	B	D	12/13
		6-1241965-4	4	-	20	15	NATURAL	UL94V-2	B	D	12/13
		0-1241965-4	4	04-C	20	15	NATURE/natur	UL94V-2	B	D	12/13
		9-1241965-2	2	-	10	5	NATURE/natur	UL94V-2	B	D	12/13
		5-1241965-2	2	02-B	10	5	BLACK/schwarz	UL94V-2	B	D	12/13
		4-1241965-2	2	02-I	10	5	RED/rot	UL94V-2	B	D	12/13
		3-1241965-2	2	02-G	10	5	BLUE/blau	UL94V-2	B	D	12/13
		0-1241965-2	2	02-A	10	5	NATURE/natur	UL94V-2	B	D	12/13
		1-928247-1	11	11-B	55	50	YELLOW/gelb	UL94V-2	B	D	12/13
		2-928247-0	10	-	50	45	GREY/grau	UL94V-2	B	D	12/13
		1-928247-0	10	-	50	45	BROWN/braun	UL94V-2	B	D	12/13
		2-928247-9	9	09-D	45	40	BLUE/blau	UL94V-2	B	D	12/13
		0-928247-8	8	08-D	40	35	BLUE/blau	UL94V-2	B	D	12/13
		6-928247-7	7	-	35	30	GREEN/grün	UL94V-2	B	D	12/13
		4-928247-7	7	-	35	30	NATURE/natur	UL94V-2	B	D	12/13
		3-928247-7	7	-	35	30	NATURE/natur	UL94V-0	A	D	12/13
		0-928247-7	7	07-C	35	30	GREY/grau	UL94V-0	B	D	12/13
		2-928247-6	6	06-D	30	25	BLUE/blau	UL94V-0	B	D	12/13
		0-1703150-6	6	06-C	30	25	GREY/grau	UL94V-2	A	D	12/13
		0-928247-6	6	06-C	30	25	GREY/grau	UL94V-2	B	D	12/13
		6-928247-5	5	-	25	20	NATURE/natur	UL94V-2	B	D	12/13
		5-928247-5	5	-	25	20	GREEN/grün	UL94V-2	B	D	12/13
		3-928247-5	5	05-D	25	20	BLUE/blau	UL94V-2	A	D	12/13
		2-1703150-5	5	05-B	25	20	BLACK/schwarz	UL94V-2	A	D	12/13
		2-928247-5	5	05-B	25	20	BLACK/schwarz	UL94V-2	B	D	12/13
		9-928247-4	4	-	20	15	NATURE/natur	UL94V-0	A	D	12/13
		5-928247-4	4	04-B	20	15	BLACK/schwarz	UL94V-0	A	D	12/13
		4-928247-4	4	04-A	20	15	NATURE/natur	UL94V-0	B	D	12/13
		3-928247-4	4	04-G	20	15	VIOLET/violett (lila)	UL94V-0	B	D	12/13
		2-928247-4	4	04-F	20	15	WHITE/weiß	UL94V-0	B	D	12/13
		0-928247-4	4	04-C	20	15	GREY/grau	UL94V-0	B	D	12/13
		5-928247-3	3	-	15	10	NATURE/natur	UL94V-2	A	D	12/13
		4-928247-3	3	03-H	15	10	BROWN/braun	UL94V-2	A	D	12/13
		3-928247-3	3	03-D	15	10	BLUE/blau	UL94V-2	A	D	12/13
		2-928247-3	3	03-G	15	10	VIOLET/violett (lila)	UL94V-2	A	D	12/13
		0-928247-3	3	-	15	10	YELLOW/gelb	UL94V-2	B	D	12/13
		9-928247-2	2	-	10	5	NATURE/natur	UL94V-2	B	D	12/13
		8-928247-2	2	02-C	10	5	GREY/grau	UL94V-2	B	D	12/13
		7-928247-2	2	02-P	10	5	PURPLED/purpurrot	UL94V-2	A	D	12/13
		6-928247-2	2	02-A	10	5	NATURE/natur	UL94V-2	B	D	12/13
		5-928247-2	2	02-E	10	5	GREEN/grün	UL94V-2	B	D	12/13
		4-928247-2	2	02-K	10	5	YELLOW GREEN/gelbgrün	UL94V-2	B	D	12/13
		3-928247-2	2	02-I	10	5	ORANGE/orange	UL94V-2	A	D	12/13
		2-928247-2	2	02-O	10	5	PINK/rosa	UL94V-2	A	D	12/13
		0-928247-2	2	02-B	10	5	BLACK/schwarz	UL94V-2	B	D	12/13

DIMENSIONS:		TOLERANCES UNLESS OTHERWISE SPECIFIED:		DWN		CHK		APVD		NAME	
mm		mm		18 JUL 2017	18 JUL 2017	K. Minz	07-NOV-06	Th. Klenner	07-NOV-06		
		±0.1	±0.2								
		±0.01	±0.001								
		±0.001	±0.0								

LOC	DIST	REVISIONS					
		P	LTN	DESCRIPTION	DATE	DMN	APVD
A1	-			SEE SHEET 1			

- △32 ONLY FOR 2322912-3. TOLERANCE IS +0.1/-0.15
- △33 ONLY FOR 2322912-6. TOLERANCE IS -0.30
- △34 CANDIDATE PRELIMINARY P/N. NOT YET OFFICIAL. ONLY FOR DISCUSSION. NOT YET RELEASED FOR PRODUCTION.
- △35 DOUBLE SOURCE RESIN. TWO MATERIALS FROM DIFFERENT SUPPLIERS CAN BE USED TO PRODUCE THIS PART.


△	5-1241965-5	5	05-B	25	20	NATURAL	UL94-V0 & GW EPT 750 no flame	E	3	△32 △33
△	1-2364737-2	2	02-B	10	5	BLUE		B	2	△32 △33
△△	2364737-9	9	-	45	40	BLUE	C	2	△32 △33	
△	1-2364737-1	11	11-B	55	50	BLUE	B	2	△32 △33	
△	2364737-5	5	-	25	20	BLUE	B	2	△32 △33	
△	2364737-2	2	02-A	10	5	BLUE	B	2	△32 △33	
	2322912-8	8	08-D	40	35	BLUE	PA66 UL94 V0 GW T 750	B	B	△32 △33
	2322912-7	7	07-C	35	30	GREY		B	B	△32 △33
	2322912-6	6	06-D	30	25	BLUE		B	B	△32 △33
	2322912-3	3	-	15	10	YELLOW		B	B	△32 △33
△	2-2322912-2	2	02-A	10	5	NATURE		B	1	△32 △33
△	1-2322912-2	2	02-G	10	5	BLUE		B	1	△32 △33
	2322912-2	2	02-C	10	5	GREY	B	B	△32 △33	
	5-1241965-4	4	-	20	15	NATURAL	PA66 UL94 V0 GW T 750 CTI350	E	B	△32 △33
	4-1241965-4	4	-	20	15	NATURAL		E	B	△32 △33
△	3-1241965-4	4	-	20	15	NATURAL		E	1	△32 △33
	2-1241965-4	4	-	20	15	NATURAL		E	A	△32 △33
	1-1241965-4	4	04-C	20	15	NATURAL		E	A	△32 △33
	8-1241965-2	2	02-C	10	5	NATURAL		E	A	△32 △33
	4-1241965-7	7	-	35	30	NATURAL		E	A	△32 △33
	5-1241965-7	7	07-C	35	30	NATURAL		E	B	△32 △33
△	5-1241965-5	5	05-B	25	20	NATURAL		E	1	△32 △33
	PART NO.	POS.	RAST 5	DIM A	DIM B	COLOUR	MATERIAL	LOCKING LATCH	REV.	MATED WITH

SPECIAL VERSION: UL94 V0 & GW T 750

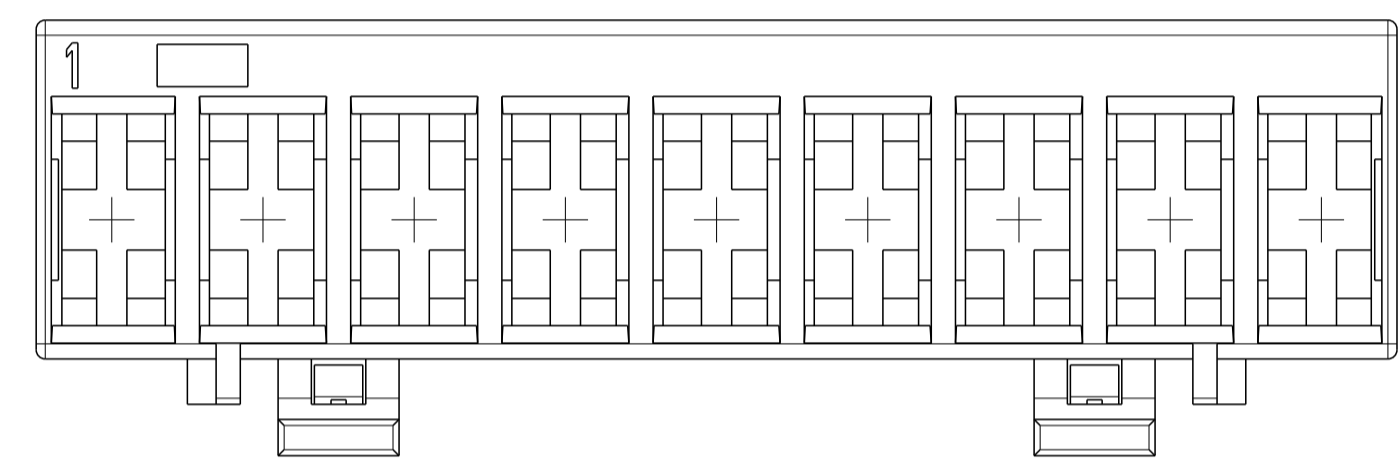
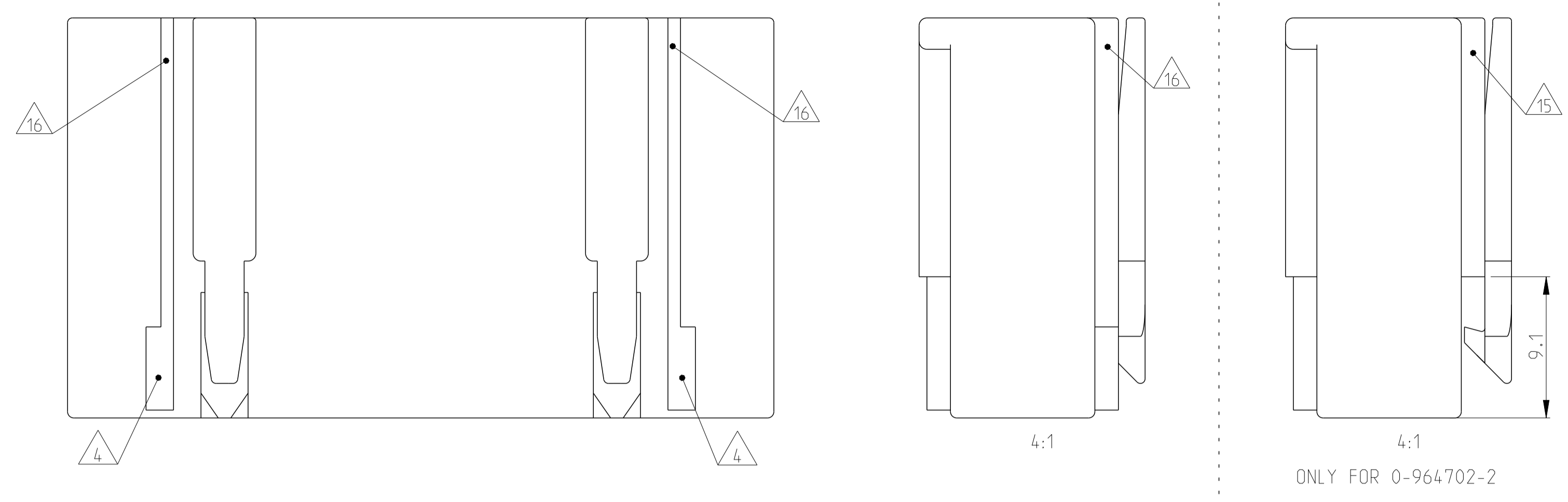
KEYING PLAN SEE SHEET 2 OF 4

2345754-1	2	02-C	10	5	NATURAL	PA66 UL94 V0	E	B	△32 △33
PART NO.	POS.	RAST 5	DIM A	DIM B	COLOUR	MATERIAL	LOCKING LATCH	REV.	MATED WITH

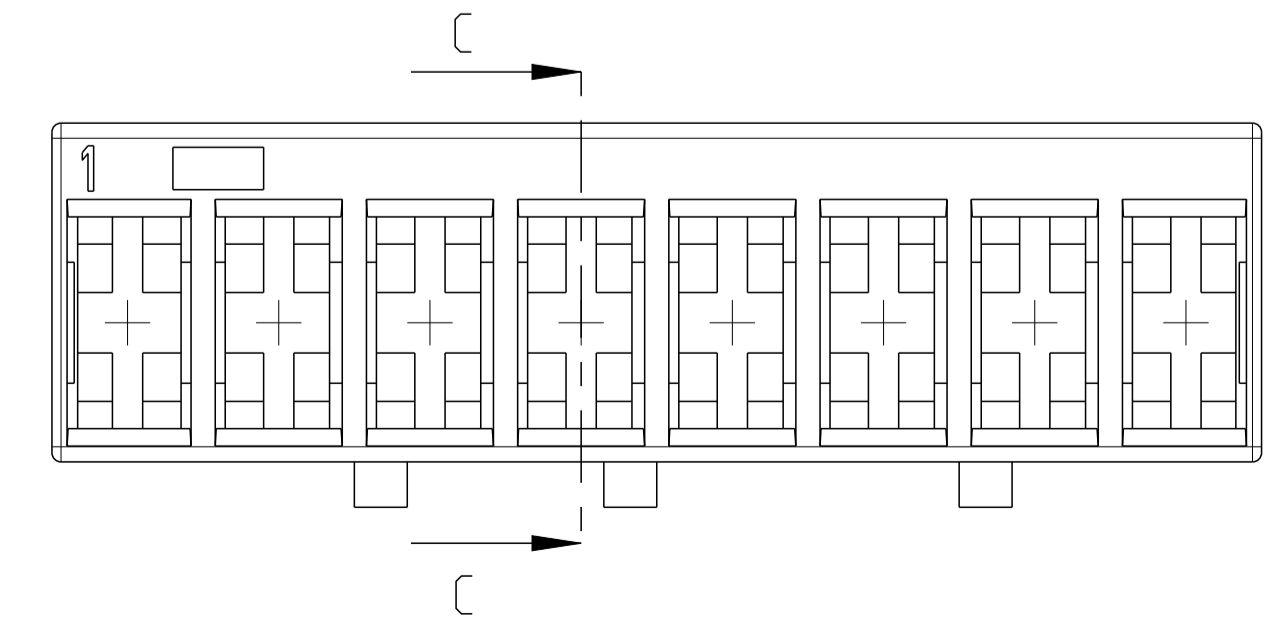
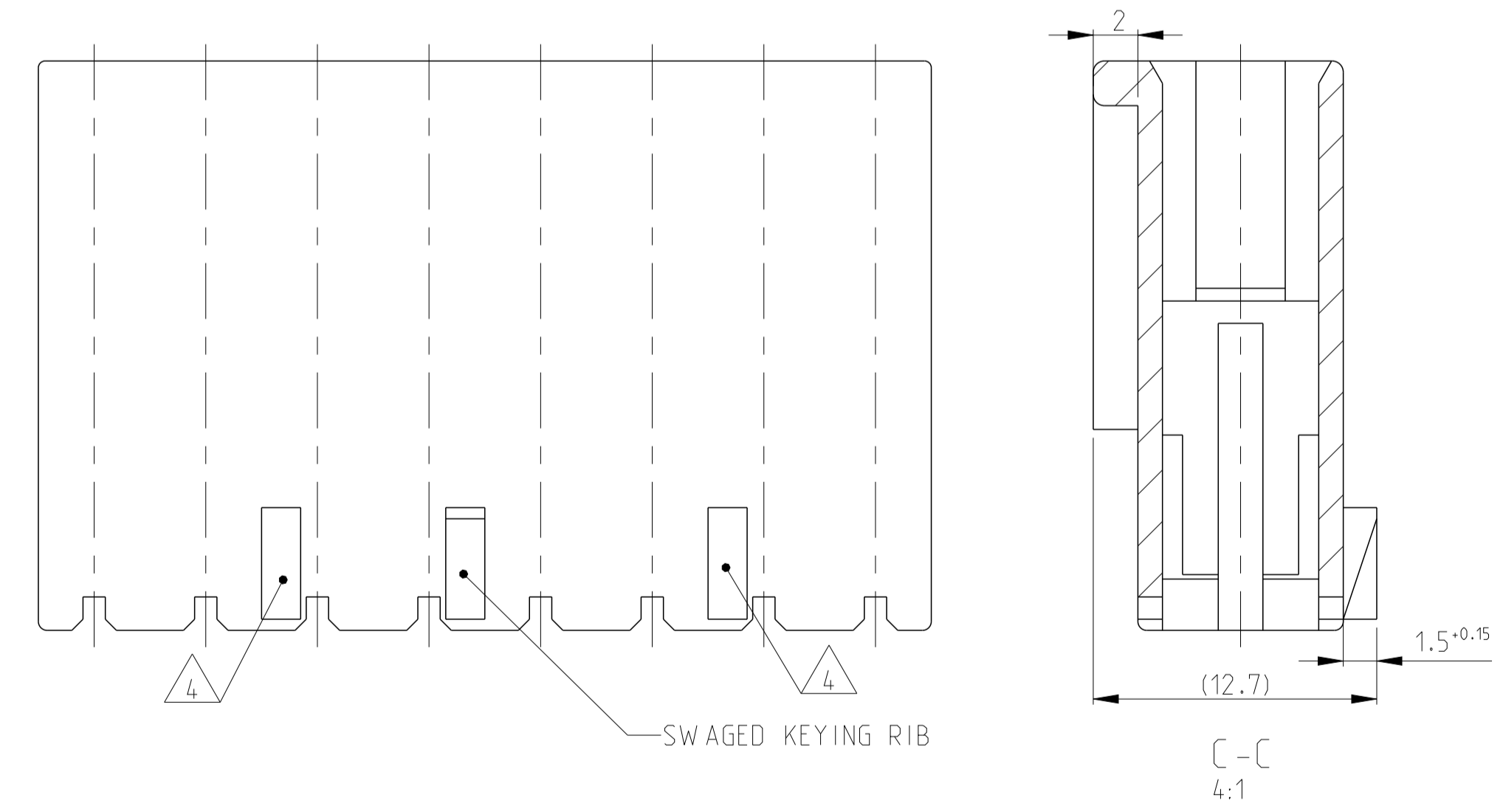
SPECIAL VERSION: UL94 V0

THIS DRAWING IS A CONTROLLED DOCUMENT.		DMN Kishor M 07-JUL-2017	 TE Connectivity	
DIMENSIONS: mm		CHK K. Munz 07-NOV-06		
TOLERANCES UNLESS OTHERWISE SPECIFIED:		APVD Th. Klenner 07-NOV-06	NAME	
0 PLC ±0.1 1 PLC ±0.1 2 PLC ±0.01 3 PLC ±0.001 4 PLC ±0.0001 ANGLES ±		PRODUCT SPEC 108-18049	2-12 POS. STANDARD TIMER HSG WITH EXTERIOR LOCKING	
MATERIAL SEE TABLES		WEIGHT	SIZE A1	RESTRICTED TO
Customer Drawing		SCALE 5:1	CAGE CODE C=4241965	SHEET 3 OF 4
				REV B46

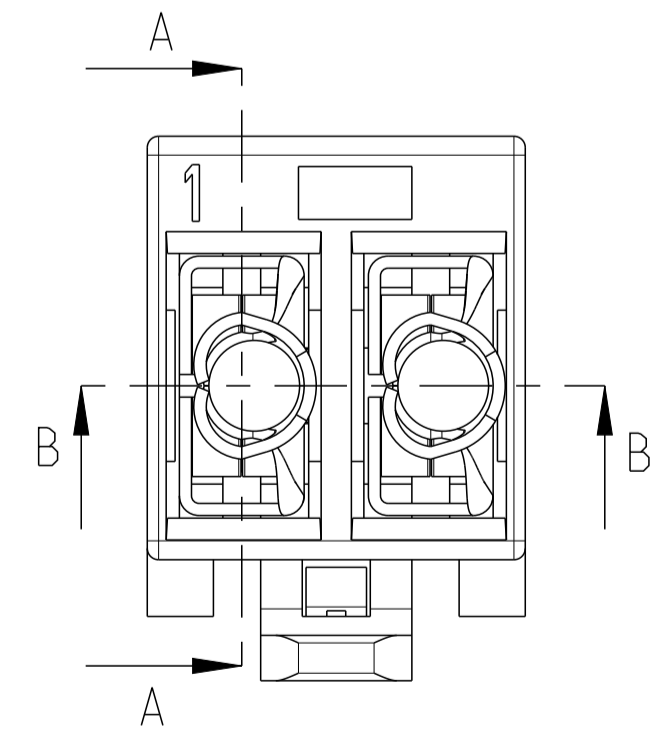
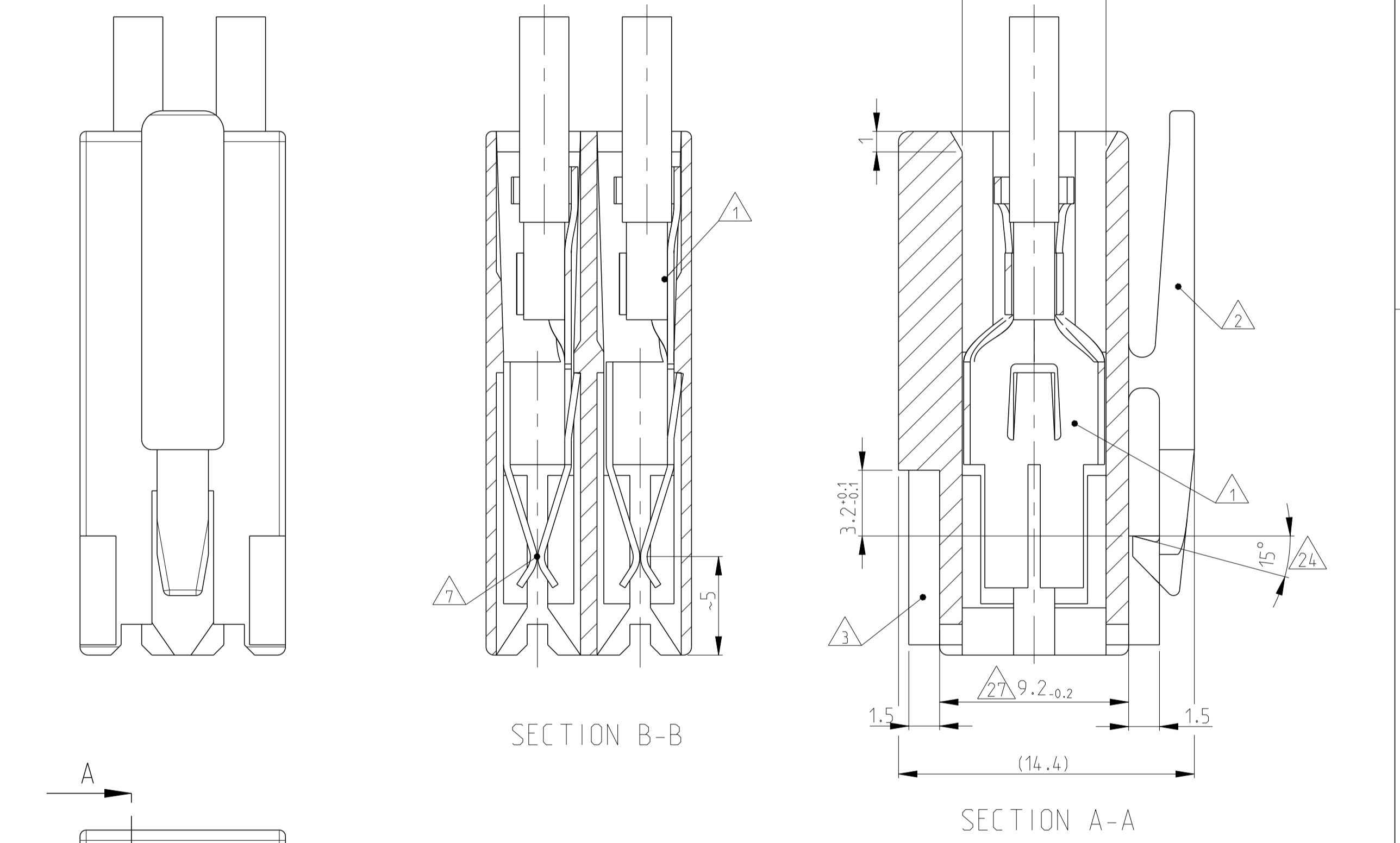
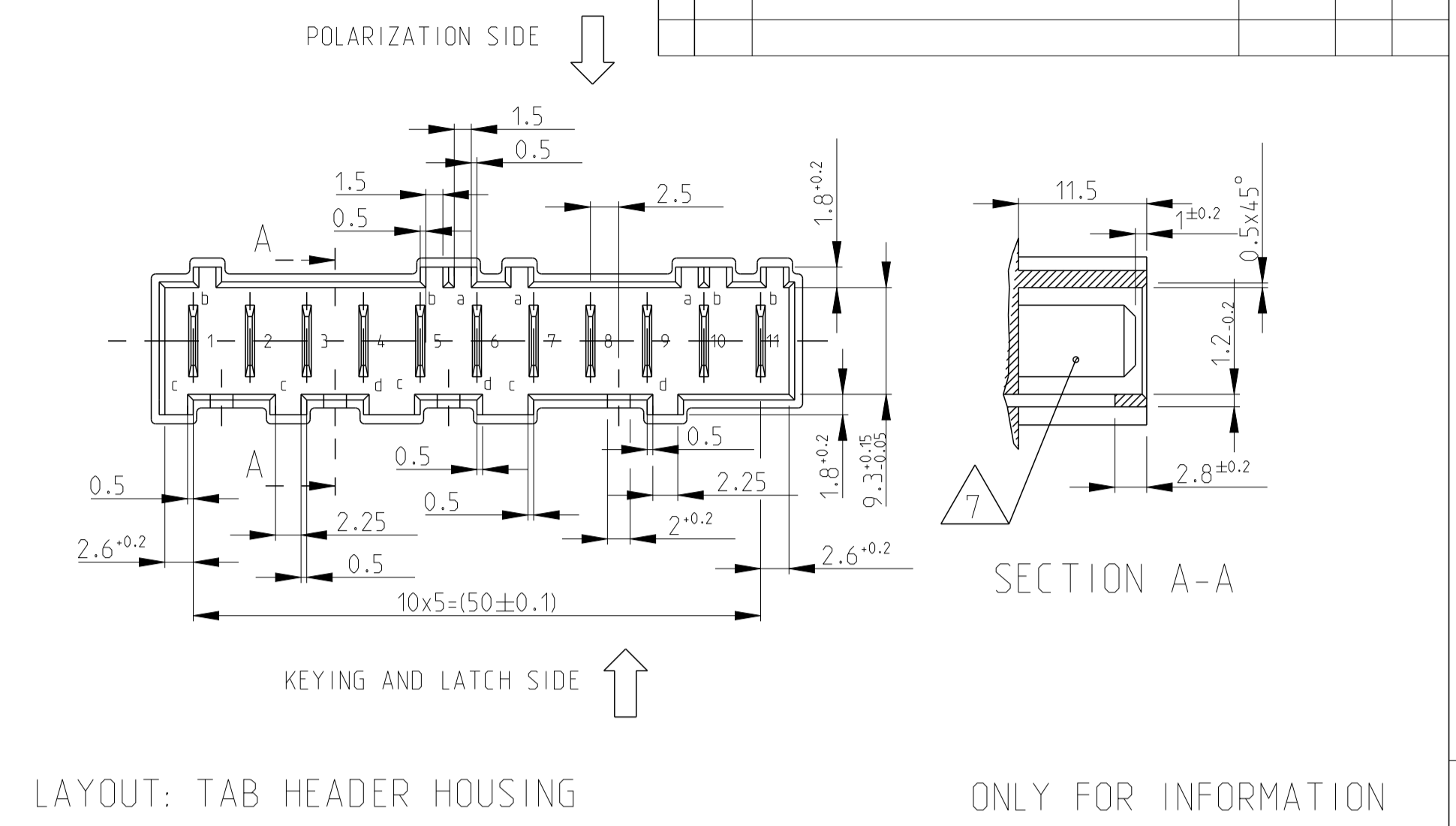
SPECIAL VERSIONS  $\triangle 15$   $\triangle 16$   
 9 POS STD. TIMER HSG. WITH TANGLING PROTECTION



SPECIAL VERSION  $\triangle 18$   
 8 POS SPECIAL STD. TIMER HSG.



LOC	DIST	REV	DESCRIPTION	DATE	OWN	APVD
A1	-	-	SEE SHEET 1	-	-	-



THIS DRAWING IS A CONTROLLED DOCUMENT.		OWN: Kishor M CHK: K. Munz APVD: Th. Klenner	18 JUL 2017 07-NOV-06 07-NOV-06		NAME
DIMENSIONS:	TOLERANCES UNLESS OTHERWISE SPECIFIED:	PRODUCT SPEC	108-18049		2-12 POS. STANDARD TIMER HSG WITH EXTERIOR LOCKING
mm	0-PLC ±0.2 1-PLC ±0.1 2-PLC ±0.05 3-PLC ±0.001 4-PLC ±0.0001	APPLICATION SPEC		SIZE	RESTRICTED TO
MATERIAL SEE TABLES	FINISH	WEIGHT	A1 00779	CAGE CODE DRAWING NO C=1241965	REV B46
Customer Drawing			SCALE 5:1	SHEET 4 OF 4	REV B46