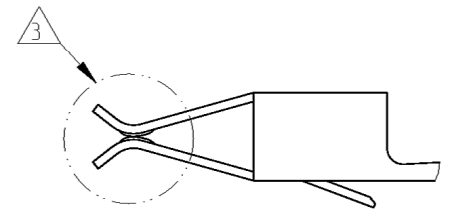
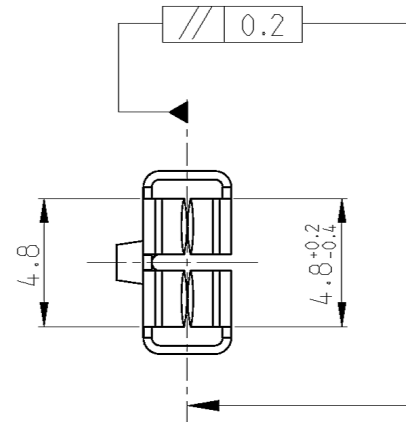
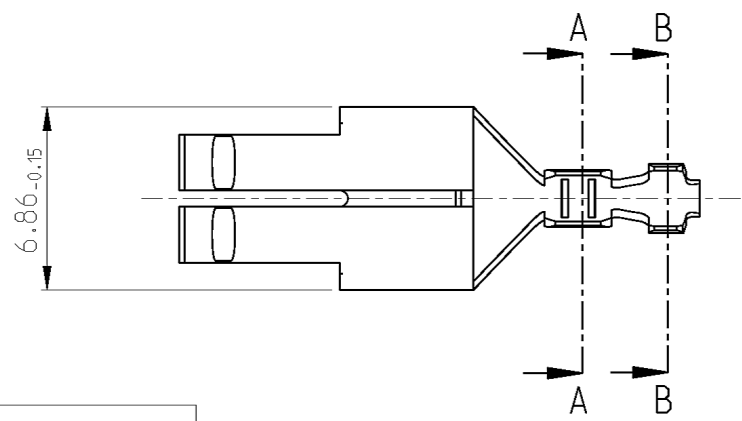
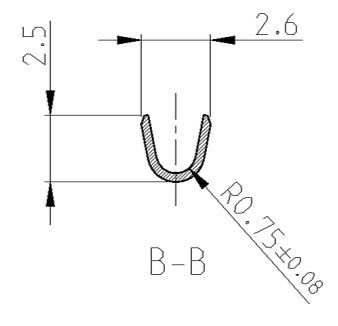
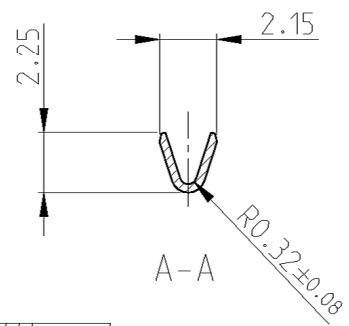
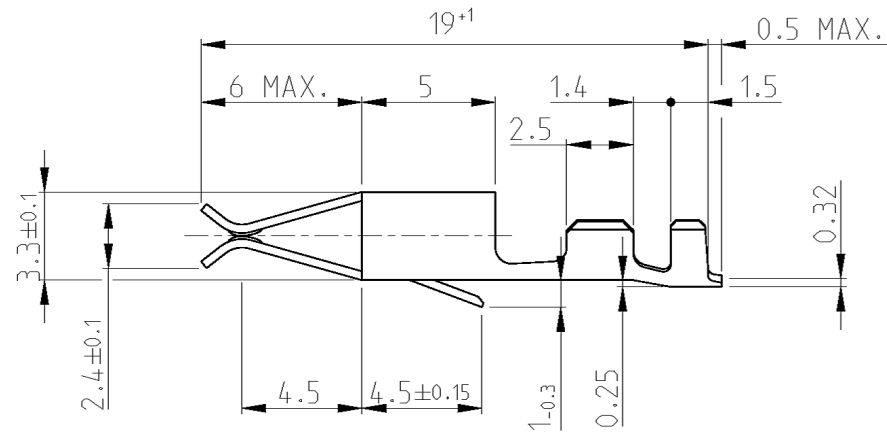


LOC	DIST	REVISIONS					
AL	2	P	LTR	DESCRIPTION	DATE	DWN	APVD
				D1 SEE ECR 12-001772	30-Jan-12	JS	RS



CROSS-SECTION IN mm <sup>2</sup>	
SINGLE CONNECTION	
0.20	X
0.25	X
0.35	X
0.50	X

NOTES

1 WIRE RANGE 0.2 - 0.5 mm<sup>2</sup>

2 INSULATION RANGE Ø1.0 - 1.6

△ SELECTIVE LUBRICATED IN INDICATED AREA WITH ANTI-FREETING LUBRICANT

	TIN (vorverzinnt)	CuZn30	△ 1-926984-1	D
926985-2	TIN (vorverzinnt)	CuSn4	926984-2	D
926985-1	TIN (vorverzinnt)	CuZn30	926984-1	D
LOOSE PIECE	FINISH	MATERIAL	PART NO.	REV.

THIS DRAWING IS A CONTROLLED DOCUMENT.		DWN JS 27-Jan-12	TE Connectivity	
DIMENSIONS: mm		CHK XP 27-Jan-12		
TOLERANCES UNLESS OTHERWISE SPECIFIED: ±0.2 1 PLC 2 PLC 3 PLC 4 PLC ANGLES ±		APVD RS 27-Jan-12	NAME STANDARD TIMER CONTACT	
MATERIAL -		PRODUCT SPEC 108-18054 (DES. OBJ.)	SIZE A3	
FINISH -		APPLICATION SPEC 114-18080	CAGE CODE 00779	DRAWING NO. C=926984
		WEIGHT -	RESTRICTED TO -	
		CUSTOMER DRAWING	SCALE 5:1	SHEET 1 OF 1 REV D1

# Mouser Electronics

Authorized Distributor

Click to View Pricing, Inventory, Delivery & Lifecycle Information:

[TE Connectivity:](#)

[926984-2](#)