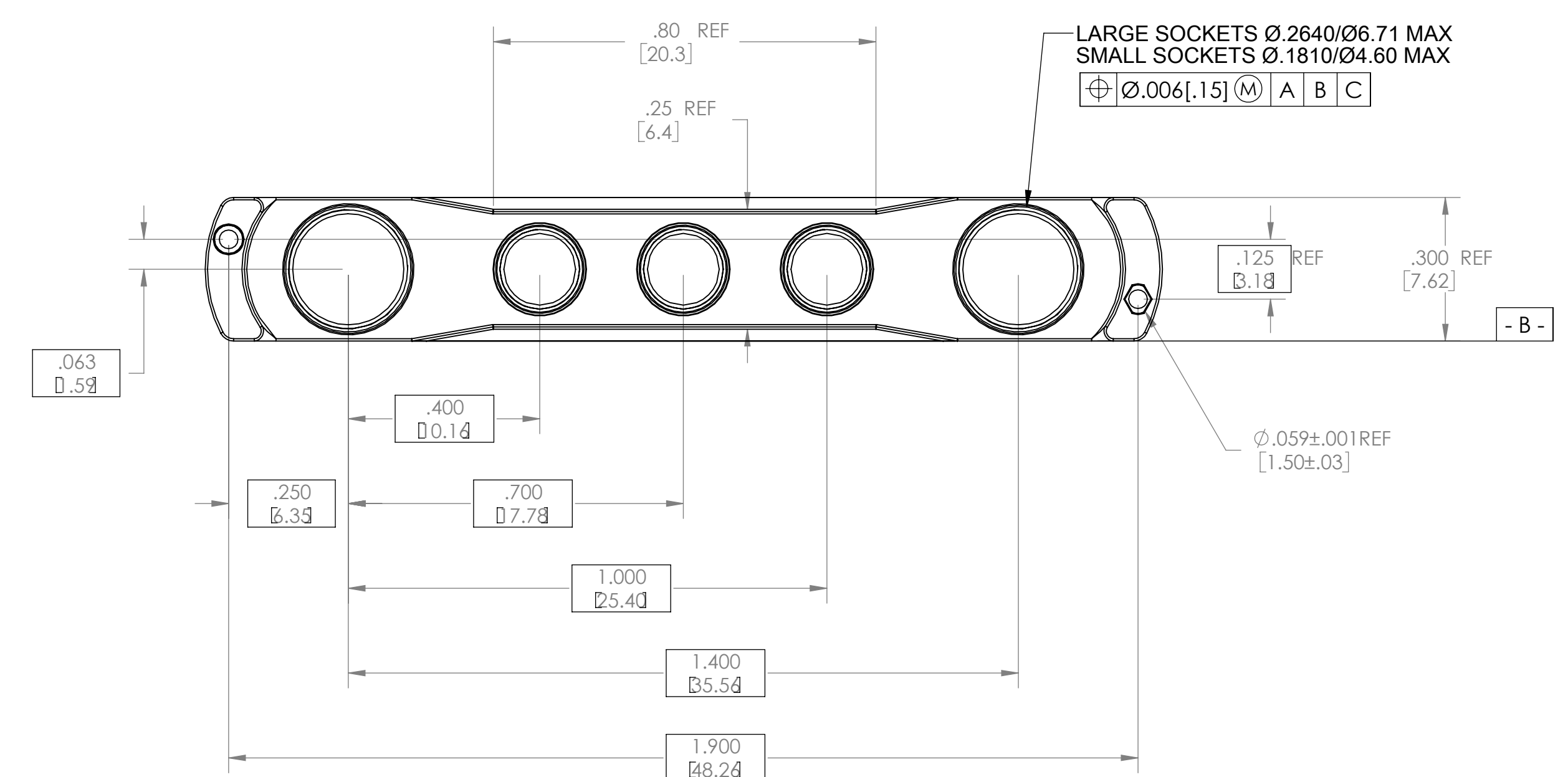
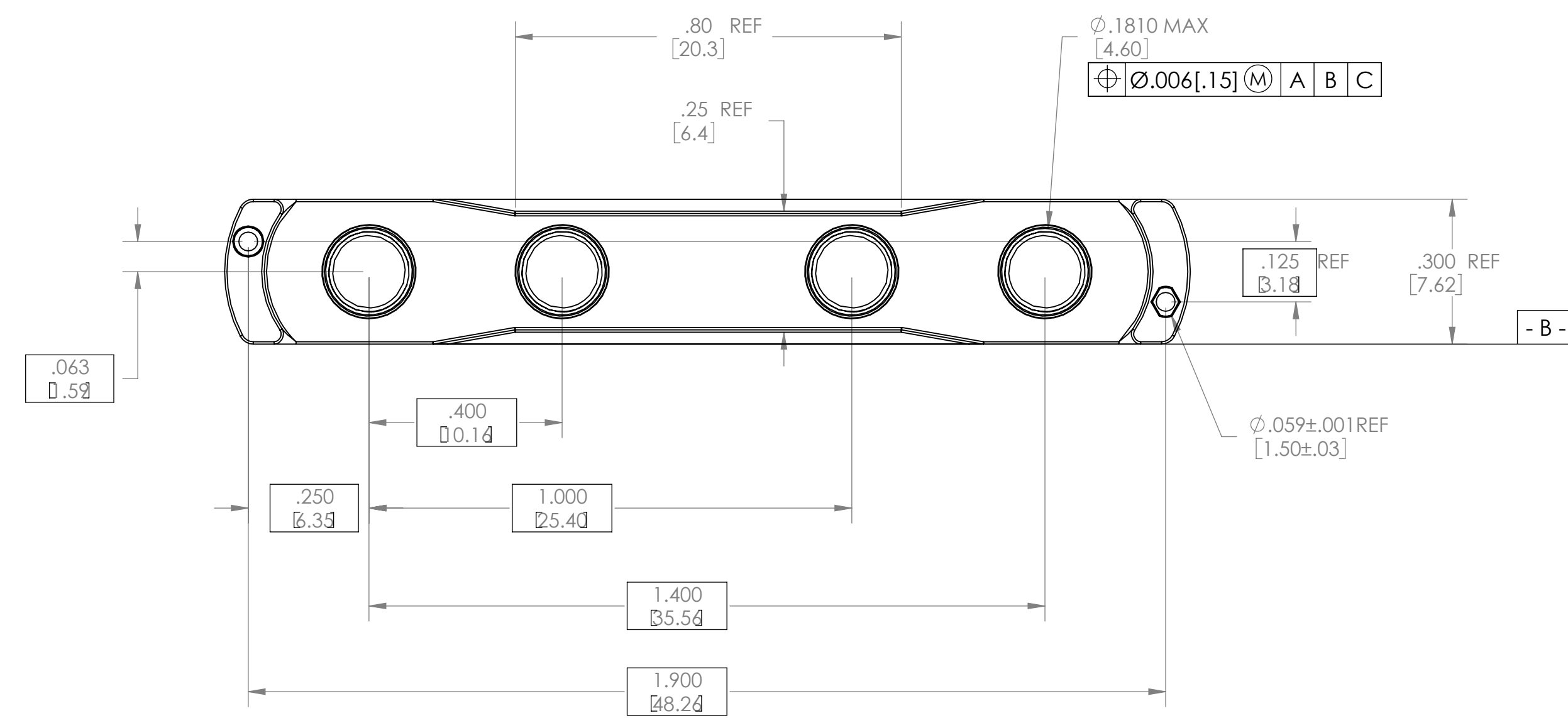
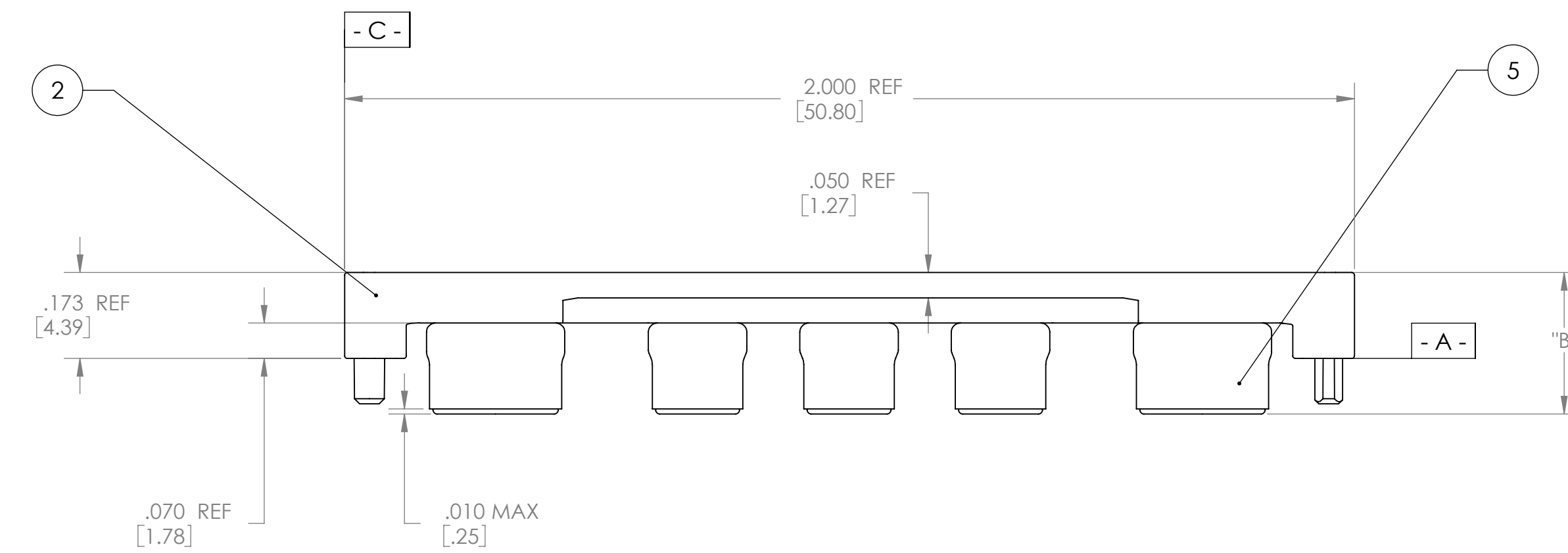
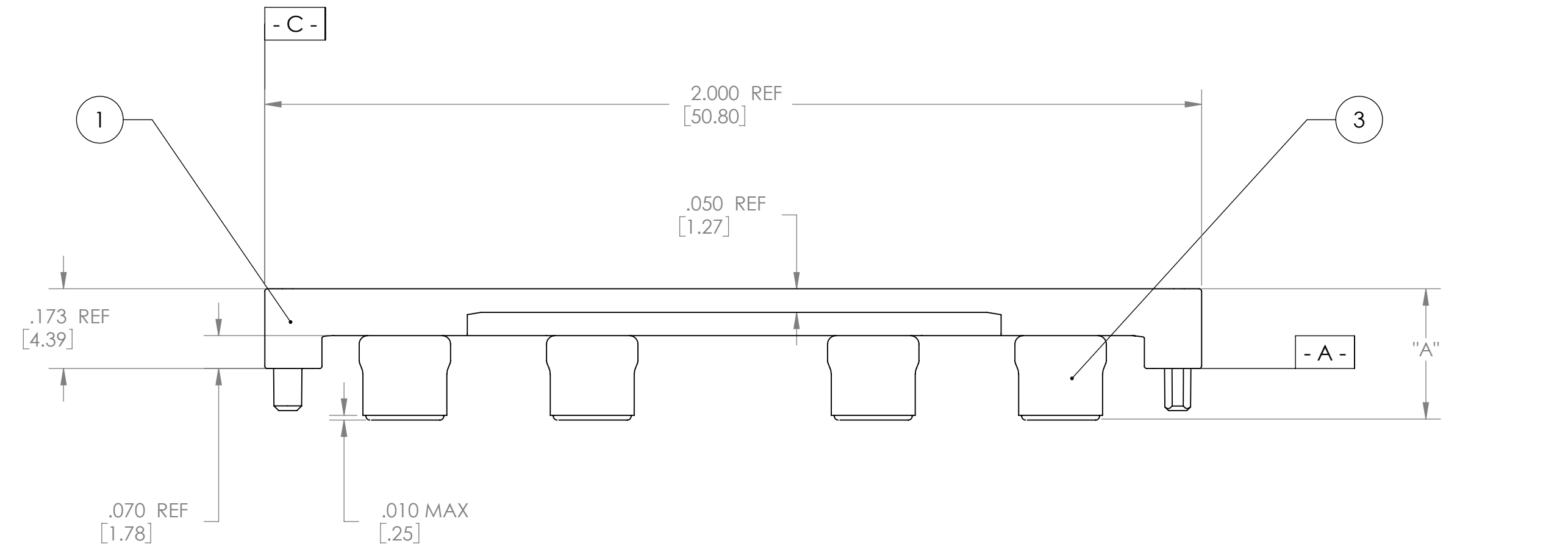
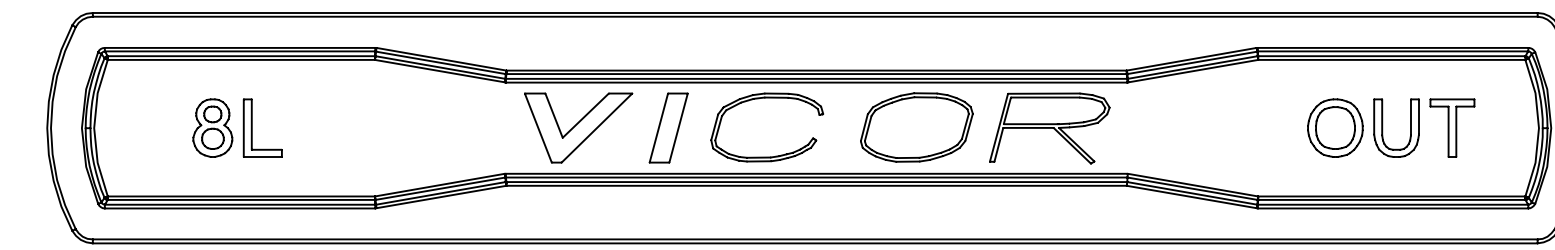
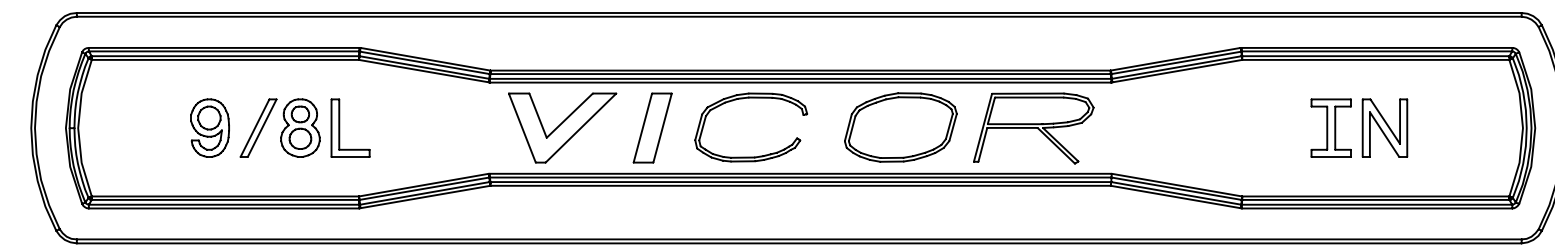


VICOR CONFIDENTIAL
 THIS DOCUMENT AND THE DATA DISCLOSED HEREIN OR
 HEREWITH IS NOT TO BE REPRODUCED, USED OR
 DISCLOSED IN ANY MANNER OR IN PART TO ANYONE WITHOUT
 THE PERMISSION OF VICOR CORP.

REV.	DESCRIPTION	DATE	APPROVED
1	RELEASED PER E0230307	07/11/02	JMR
2	REVISED PER E080070	01/15/08	REJH
3	REVISED PER E091753	09/29/09	REJH
4	REVISED PER E092276	12/30/09	REJH
5	REVISED PER E120065	01/20/12	KUK

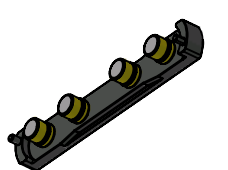
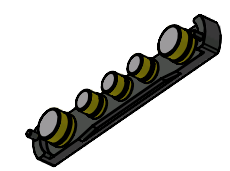


LARGE SOCKETS Ø.2640/Ø6.71 MAX
 SMALL SOCKETS Ø.1810/Ø4.60 MAX
 Ø.006[.15] M A B C

DASH NO.	SOCKET BODY LENGTH INCH./MM	DIA "A" INCH./MM	DIA "B" INCH./MM	INPUT	OUTPUT	KIT #
-01	.100/2.54	.280/7.11	.280/7.11	18378	18390	18368
-02	.135/3.43	.315/8.00	.315/8.00	18379	18391	18369
-03	.160/4.06	.340/8.64	.340/8.64	21539	21544	21511

- NOTE:
 1. MATERIALS: INMATES: PPS RYTON 7
 SOCKETS: BE-CU #25, Au PLATED.
 2. FULLY SEAT SOCKET INTO INMATE HEADER.
 3. ROHS COMPLIANT PER CST-0001 LATEST REVISION.

DRAWN BY LAP NGUYEN	DATE 6/99	VICOR	
UNLESS OTHERWISE SPECIFIED DIMENSIONS ARE: INCH / (MM)		DWG, VI-800 INMATE/SOCKET, LN	
TOLERANCES ARE: DECIMALS XXX (X.X) = ±0.01 (0.25) X.XXX (X.XXX) = ±0.005 (0.127)	ANGLES ±1°	SIZE D	CAGE CODE 67131
THIRD ANGLE PROJECTION DO NOT SCALE DRAWING	SCALE 4:1	DWG NO 20030-XX	REV 5
		SHEET 1 OF 1	



Mouser Electronics

Authorized Distributor

Click to View Pricing, Inventory, Delivery & Lifecycle Information:

[Vicor:](#)

[18368](#) [18379](#)