

TECHNICAL CHARACTERISTICS

MATERIAL

HOUSING MATERIAL: GLASS FILLED POLYESTER
 FLAMABILITY RATING: UL94-V0
 COLOR: RED
 MAX TEMP.: 260°C 10s
 CONTACT MATERIAL: PHOSPHOR BRONZE
 CONTACT TYPE: STAMPED
 CONTACT PLATING: MATT TIN OVER NICKEL
 QUALITY CLASS: 25 MATING CYCLES
 PITCH: 2.54 MM PER ROW
 1.27 MM RIBBON CABLE

ENVIRONMENTAL

OPERATING TEMPERATURE: -40°C UP TO 105°C
 COMPLIANCE: LEAD FREE AND ROHS

ELECTRICAL

CURRENT RATING: 1.0 A PER PIN (CABLE)
 WORKING VOLTAGE: 100 VAC
 INSULATION RESISTANCE: >1000 MOHM
 DIELECTRIC WITHSTANDING VOLT.: 500 VAC/MN
 CONTACT RESISTANCE: 10 mOHM MAX

STANDARD

RoHS CERTIFIED: E323964

PACKAGING

TUBE

DIMENSION

A= 1.27 x No. of Spaces
 B= DIM.A + 3.3
 C= DIM.A + 2.1
 D= DIM.A + 4.7

RoHS Compliant

G			
F			
E	02-MAY-16	ZOOM BEVEL	AK
D	13-NOV-13	DWG UPDATE	QL
C	07-APR-10	PINNING	JP
B	09-MAR-10	STANDARD	JP
A	03-NOV-06	PDF	JP
REV	DATE	FILE	BY

PROJECTION:

APPROVAL: GMo

GENERAL TOLERANCE
 .X = +/- 0.2
 .XX = +/- 0.15

UNIT: MM
 SCALE:
 SHEET: 1/2
 DRAW: EAGER

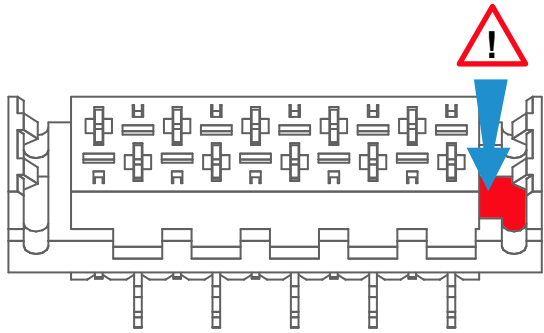


DESCRIPTION: MM MALE IDC CONNECTOR

WERI PART NO: 690 157 00 xx 72

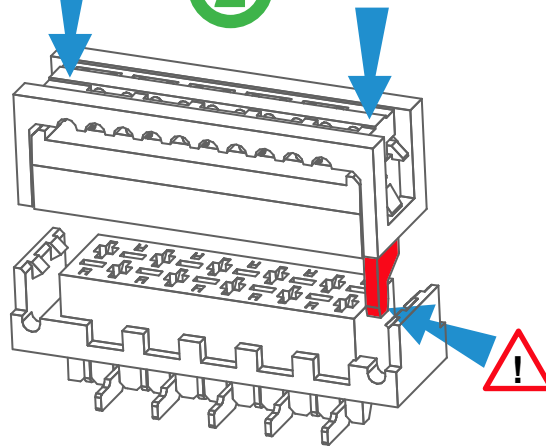
SIZE
A4

1



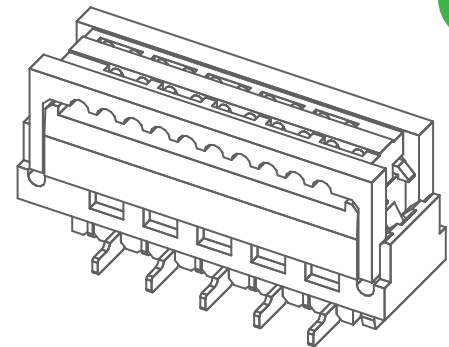
Insert through polarization

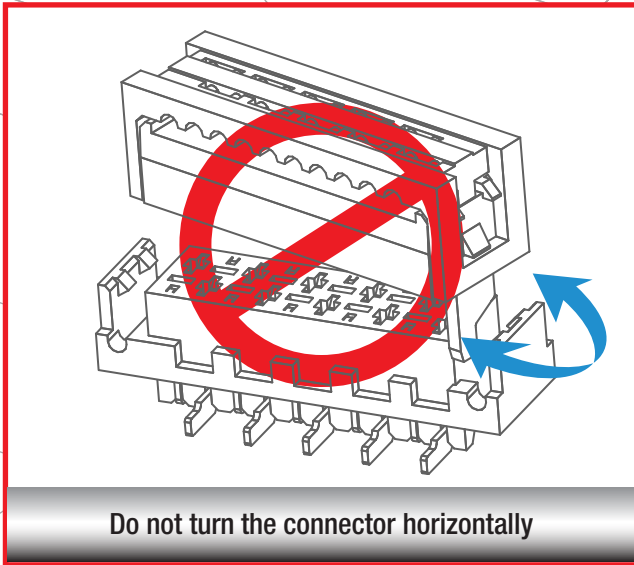
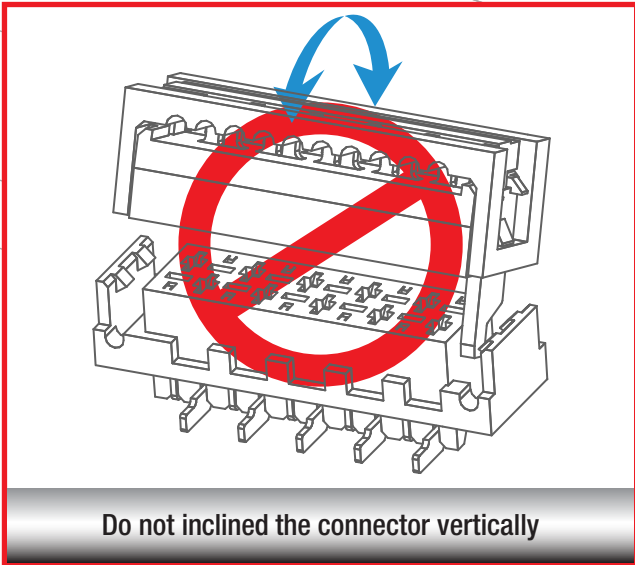
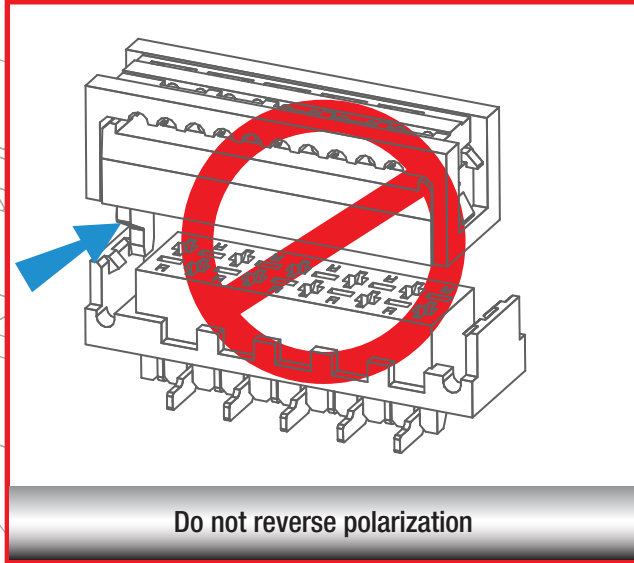
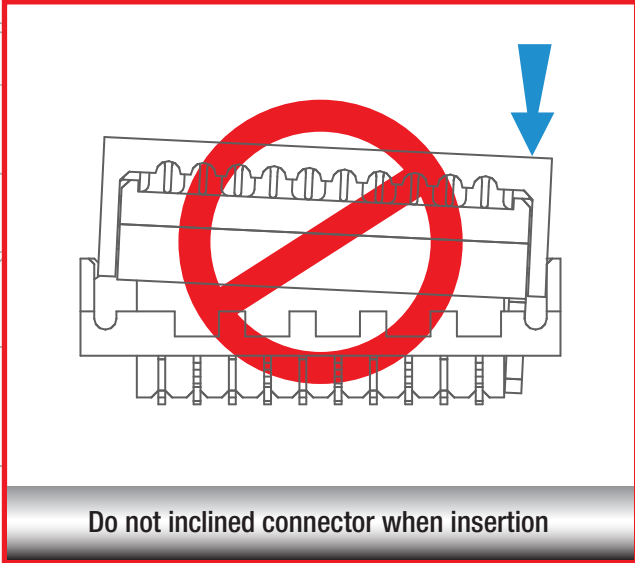
2



Press both ends of the connector at the same time

3





1

2

3

4

5

Cautions and Warnings:

This electronic component is designed and developed with the intention for use in general electronics equipments.

Before incorporating the components into any equipments in the field such as aerospace, aviation, nuclear control, submarine, transportation, (automotive control, train control, ship control), transportation signal, disaster prevention, medical, public information network etc. where higher safety and reliability are especially required or if there is possibility of direct damage or injury to human body, Würth Elektronik must be asked for a written approval.

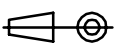

In addition, even electronic component in general electronic equipments, when used in electrical circuits that require high safety, reliability functions or performance, the sufficient reliability evaluation-check for the safety must be performed before by the user before usage.

A

B

C

RoHS Compliant

G				PROJECTION: 	GENERAL TOLERANCE .X = +/- 0.2 .XX = +/- 0.15		
F							
E							
D							
C				APPROVAL: JC	UNIT: MM	DESCRIPTION: DISCLAIMER	SIZE A4
B					SCALE:		
A	10-SEP-14	PDF	QL		SHEET: 2/2	WERI PART NO: DISCLAIMER	
REV	DATE	FILE	BY		DRAW: QL		

D

Mouser Electronics

Authorized Distributor

Click to View Pricing, Inventory, Delivery & Lifecycle Information:

[Wurth Electronics:](#)

[690157002072](#) [690157001072](#) [690157000672](#) [690157000872](#) [690157001272](#) [690157000472](#)