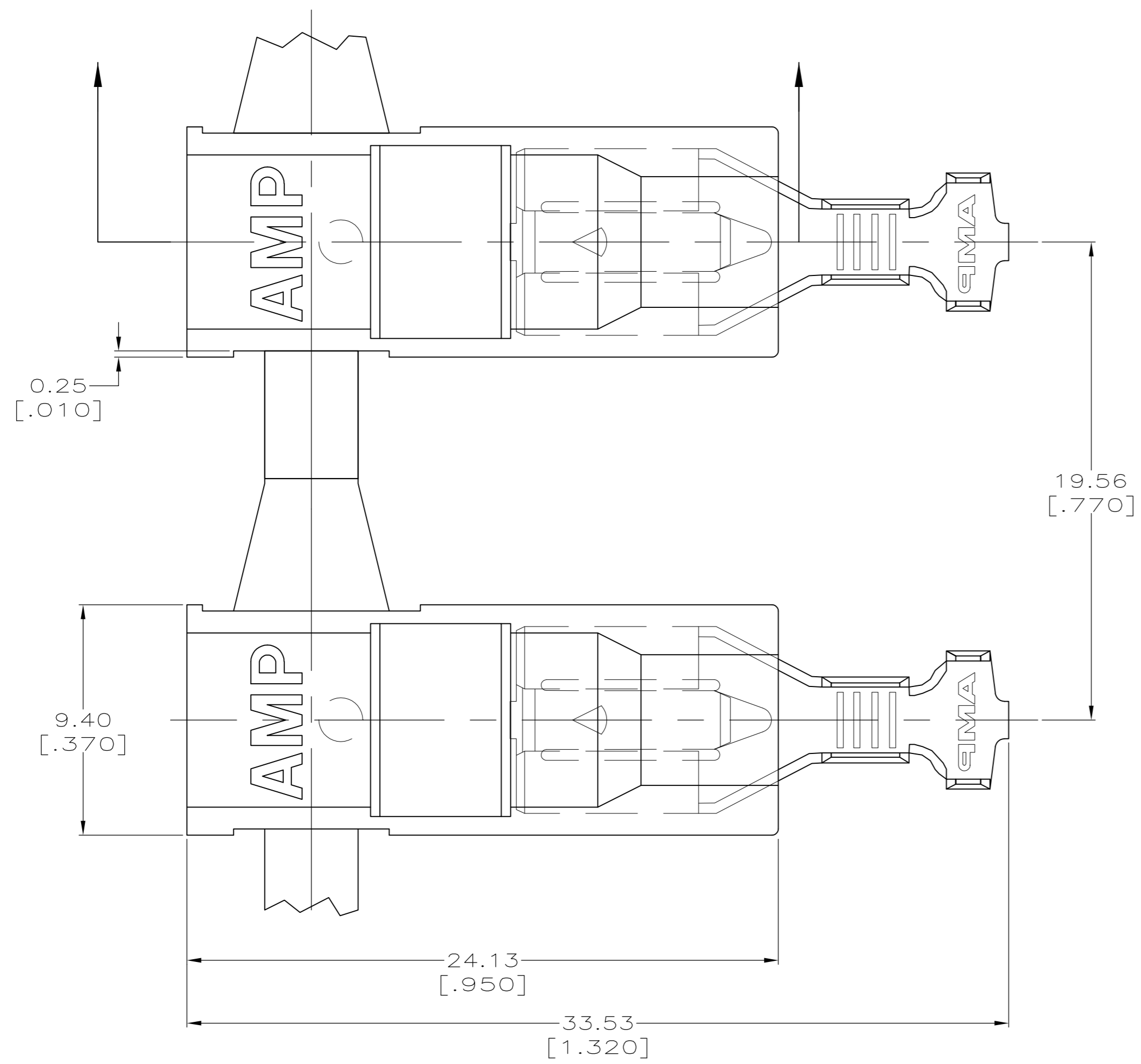
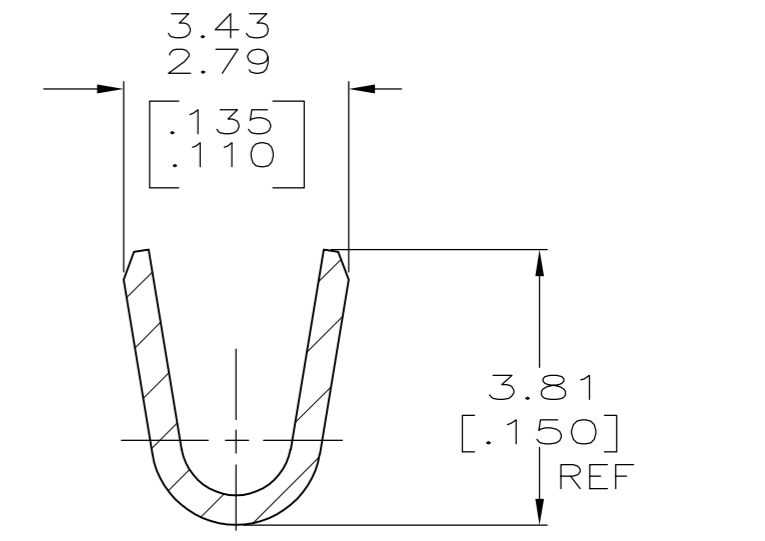


THIS DRAWING IS UNPUBLISHED. RELEASED FOR PUBLICATION
 © COPYRIGHT BY TYCO ELECTRONICS CORPORATION. ALL INTERNATIONAL RIGHTS RESERVED.

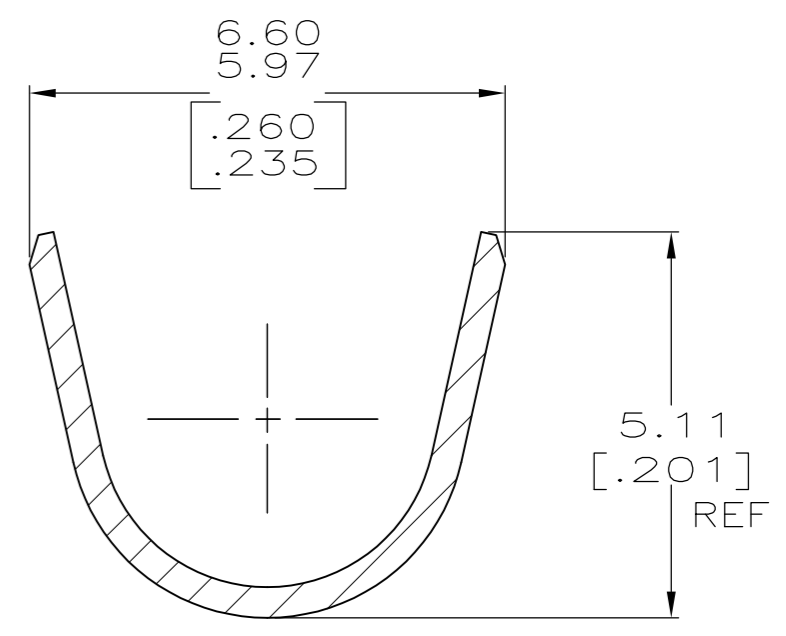
LOC	DIST	REVISIONS			
P	LTR	DESCRIPTION	DATE	DWN	APVD
AF	50				
		REVISED PER ECR-10-001444	22FEB10	HMR	GP



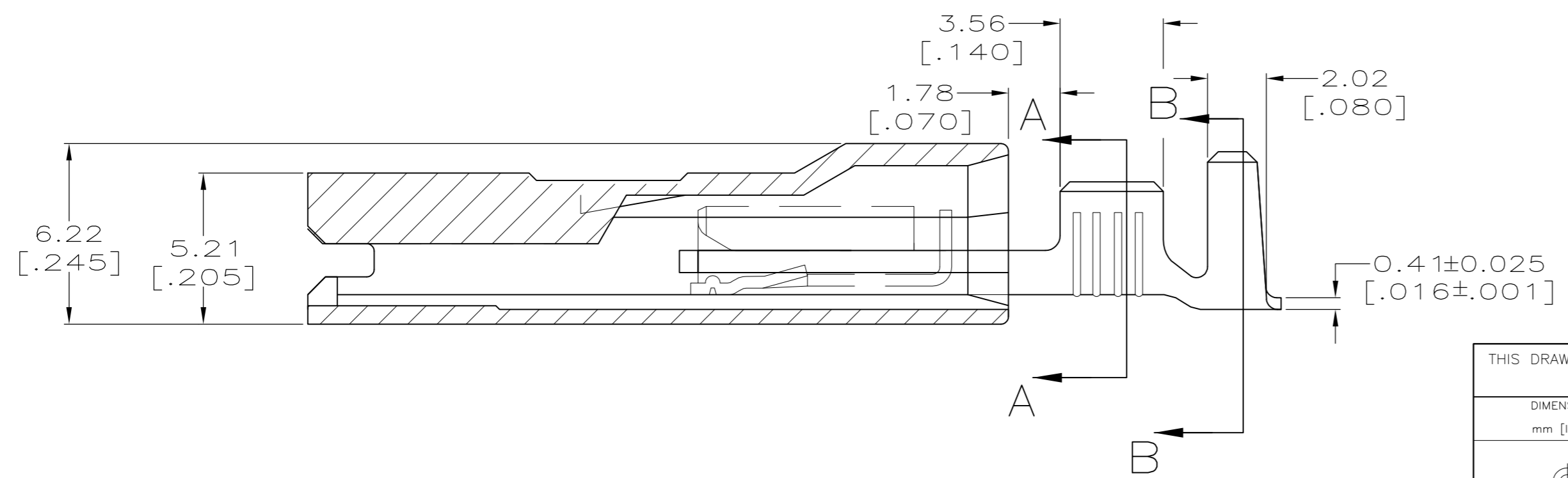
- 1 MATING TAB THK TO BE 0.81±0.025 [.032±.001]
- 2 TIN PLATE 0.002032 [.000080] MIN THK.
- 3 WIRE SIZE IS [#18-#14] AWG.
- 4 INSULATION RANGE IS 2.79-4.57 [.110-.180] DIA.
 2.79-3.56 [.110-.140] DIA - CRIMP WIDTH 4.57 [.180], F TYPE
 3.56-4.57 [.140-.180] DIA - CRIMP WIDTH 4.57 [.180], O TYPE
- 5 PRELIMINARY - NOT FOR PRODUCTION
- 6 OFFERED FOR CONSIDERATION IN APPLICATIONS REQUIRING "NON-DRIP" HOUSING MATERIAL.



SECTION A-A
SCALE 10:1



SECTION B-B
SCALE 10:1



VO NYLON 66, NATURAL (WHITE)	H04 BRASS, TIN PLATED	2	5	521863-2
	H04 BRASS, PLAIN			521863-1
HOUSING MATERIAL	TERMINAL, MATERIAL & FINISH	PART NO.		

THIS DRAWING IS A CONTROLLED DOCUMENT.		DWN	JR RUTH	200CT05	Tyco Electronics Corporation Harrisburg, PA 17105-3608
DIMENSIONS: mm [INCHES]		CHK	G PORTA	200CT05	
TOLERANCES UNLESS OTHERWISE SPECIFIED:		APVD	G PORTA	200CT05	
0 PLC ± - 1 PLC ± - 2 PLC ± 0.25 [.010] 3 PLC ± - 4 PLC ± - ANGLES ± - FINISH SEE TABLE		PRODUCT SPEC	NAME		
MATERIAL SEE TABLE		APPLICATION SPEC	ASSEMBLY, RECEPTACLE, ULTRA-POD, 6.35 [.250] SERIES		RESTRICTED TO
		WEIGHT	-	SIZE	A2
		CUSTOMER DRAWING	SCALE	CAGE CODE	00779
			SCALE	DRAWING NO	C=521863
			SCALE	SHEET	1 OF 1
			SCALE	REV	C

Mouser Electronics

Authorized Distributor

Click to View Pricing, Inventory, Delivery & Lifecycle Information:

[TE Connectivity:](#)

[521863-1](#)