

PRODUCT NB	DIM"C"	DIM"D"	CAP	TAPE	TUBE	AVAILABILITY
95290-YXXLF	SEE SHEET 213 2/2		NO	NO	YES	SEE SHEET 213 2/2
95290-YXXALF			YES	YES	NO	SEE SHEET 213 2/2
95290-YXXBLF			YES	NO	YES	SEE SHEET 213 2/2
95290-YXXKLF			NO	YES	NO	SEE SHEET 213 2/2

PRODUCT NUMBER

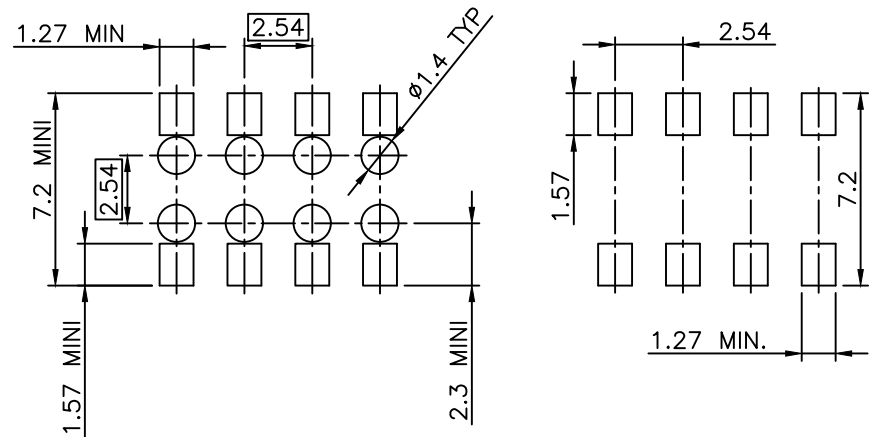
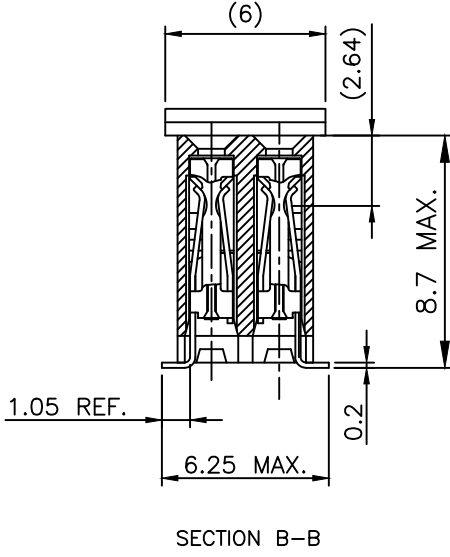
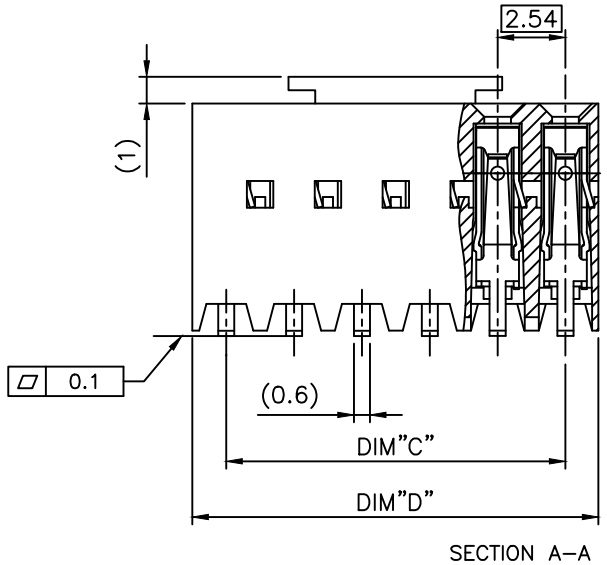
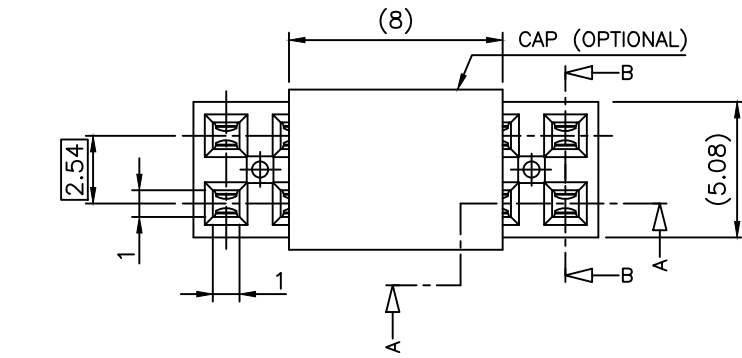
95290-YXXZLF

PLATING CODE
SEE TABLE

RoHS COMPATIBLE, SEE NOTE 4 SHEET 2

OPTION LETTER (SEE TABLE & SHEET 2)

NUMBER OF POSITIONS PER ROW, SHEET 2



NOTES:

- 1 - MATERIAL HOUSING: HIGH TEMPERATURE THERMOPLASTIC, 30% GLASS FILLED COLOUR GREY, FLAME RETARDANT, PER UL-94-V0.
- 2 - MATERIAL TERMINAL: PHOSPHOR BRONZE EXTRA HARD



FCIconnect.com

Copyright FCI

95290-4XX(Z)LF	5µm Sn	Sn
95290-3XX(Z)LF	0.76µm GOLD	Sn
PLATING CODE	CONTACT AREA	SOLDER TAIL
	PLATING THICKNESS OVER 1.27µm Ni	

mat'l. code				surface		tolerance		projection	product family	
SEE NOTES				ISO 1302	ISO 406	ISO 1101	ISO 1101		DUBOX VCC DR	
ltr	ecn no	dr	date	tolerances unless otherwise specified				mm	title	
R	B-19923	BVE	15.01.08	angles	linear	±0.3			BtB RECEPT.	
S	F-44214	LMU	22.03.21						VERT DR SMT 8.5 mm	
T	F-47995	DDE	23.04.12	±2'				scale 1/5	dwg no	
U	F-49147	DDE	23.08.31	dr	D.LEGRAND	97.01.13			sheet 1 of 2	
				enrg	P.NIZZI	97.01.13			size	
N	B-19232	LMU	14.10.28	chr	D.LEGRAND	97.01.13			95290	
P	B-19535	BVE	14.11.24	appd	P.NIZZI	97.01.13			type CUSTOMER Drawing	
sheet	revision	U	L							
index	sheet	1	2							

PRODUCT NUMBER	NUMBER OF POS.	DIM"C"	DIM"D"
95290-Y03(Z)LF	2 x 03	5.08	7.54
95290-Y04(Z)LF	2 x 04	7.62	10.08
95290-Y05(Z)LF	2 x 05	10.16	12.62
95290-Y06(Z)LF	2 x 06	12.70	15.16
95290-Y10(Z)LF	2 x 10	22.86	25.32
95290-Y12(B)LF	2 x 12	27.94	30.40
95290-Y22(B)LF	2 x 22	53.34	55.80

- 3 - OTHERS POSITIONS, ON SPECIAL REQUEST.
- 4 - RoHS COMPATIBLE PRODUCT SPECIFICATIONS
 - a - PLATING:
 - "LF" MEANS THE PRODUCT IS LEAD-FREE, 2µm MINIMUM MATTE TIN OVER 1.27µm MINIMUM NICKEL UNDERPLATE.
 - b - MANUFACTURING PROCESS COMPATIBILITY
 - THE HOUSING WILL WITHSTAND EXPOSURE TO 260°C PEAK TEMPERATURE FOR 30 SECONDS MAX IN A CONVECTION, INFRA-RED OR VAPOR PHASE OR REFLOW OVEN.
 - c - LABELING:
 - MEETS PACKAGING SPECS AS PER GS-14-920
 - d - LEGAL STATEMENT: SEE GS-47-0004



Copyright FCI

mat'l. code				surface		tolerance		projection		product family	
SEE NOTES				ISO 1302 ✓		ISO 406 ISO 1101				DUBOX VCC DR	
ltr	ecn no	dr	date	tolerances unless otherwise specified				title		sheet 2 of 2 size	
E	F04-037	DLE	04.11.16	angles	linear			BtB RECEPT.		A3	
F	F06-0204	DLE	06.06.28					VERT DR SMT 8.5 mm			
G	B-19123	LMU	14.10.21	σ±x'		scale 1/5		dwg no		95290	
H	B-19535	BVE	14.11.24	dr	D.LEGRAND	97.01.13				CUSTOMER Drawing	
J	B-19923	BVE	15.01.08	enfr	P.NIZZI	97.01.13					
K	F-47995	DDE	23.04.12	chr	P.NIZZI	97.01.13					
L	F-49147	DDE	23.08.31	appd	P.NIZZI	97.01.13					
sheet	revision										
index	sheet										