

PRODUCT NUMBER	BPS8B21FLD200EC	← LEADED PRODUCT.
PRODUCT NUMBER	BPS8B21FLD200ECLF	← LEAD FREE OR RoHS COMPATIBLE PRODUCT

NOTES:-

1. THE "LF" PRODUCTS MEET EUROPEAN UNION DIRECTIVES AND OTHER COUNTRY REGULATIONS AS DESCRIBED IN GS-22-008
2. LEAD FREE OR RoHS DIRECTIVE LABELING TO BE PROVIDED AS PER GS-14-920 FOR RoHS COMPATIBLE / LEAD FREE VERSION.

PERFORMANCES CHARACTERISTICS

VOLTAGE RATING : 250 VAC (rms)
 CURRENT RATING : 1,5 A AT 25 °C, 1 A AT 70 °C.
 INSULATION RESISTANCE : 1000 MΩ INITIAL, 100 MΩ MIN. AFTER TEST.
 DIELECTRIC WITH-
 STANDING VOLTAGE : 1000 VAC (rms).
 CONTACT RESISTANCE : 15 mΩ MAX. INITIAL, 5 mΩ MAX. RISE OF INITIAL VALUE AFTER TEST.
 OPERATING TEMPERATURE*: -40 °C TO +125 °C.
 INSERTION FORCE : 1 N MAX./CONTACT.
 WITHDRAWAL FORCE : 0,2 N MIN./CONTACT.

*DEPENDING ON THE CABLE, THE MAX. TEMPERATURE CAN BE LOWER.
 FOR STANDARD PVC INSULATED CABLE : 105 °C MAX.

CONSTRUCTION

BODY MATERIAL : GLASS-REINFORCED THERMOPLASTIC (UL94V-0).
 CONTACT MATERIAL : PHOSPHOR BRONZE.
 CONTACT FINISH : 3 μm Au MIN. OVER 2 μm Ni MIN. IN CONTACT AREA, 3 μm SnPb MAX. OVER 1,5 μm Ni MAX. ON I.D.C. TERMINAL FOR LEADED PRODUCTS.
 Sn (MATTE TIN) OVER Ni ON I.D.C. TERMINAL FOR LEAD FREE PRODUCTS.

PART NUMBERS

BPS8B21FLD200EC CONNECTOR FOR WIRE SIZE AWG24, AWG26.
 BPS8B21FLD200ECLF CONNECTOR FOR WIRE SIZE AWG24, AWG26.
 (CONTACT IDENTIFICATION : 2).

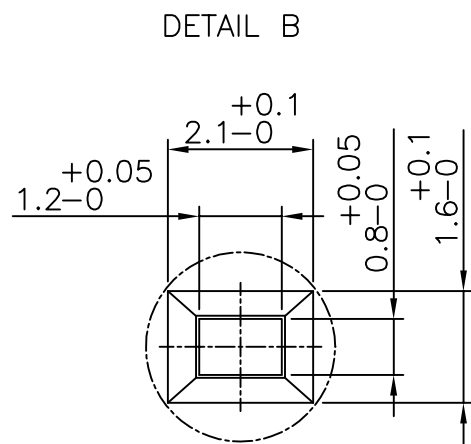
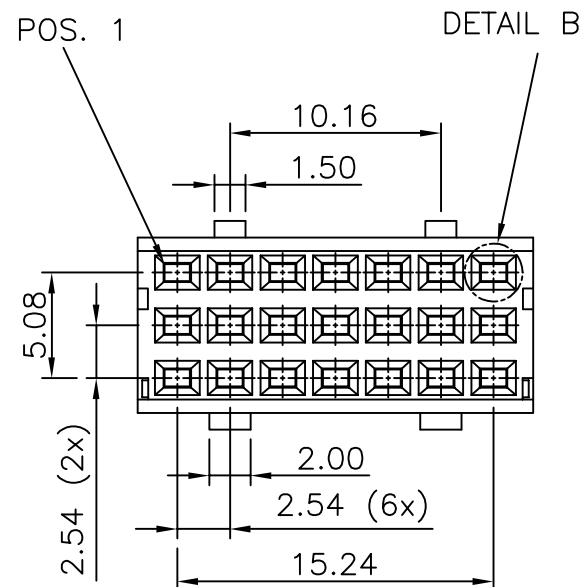
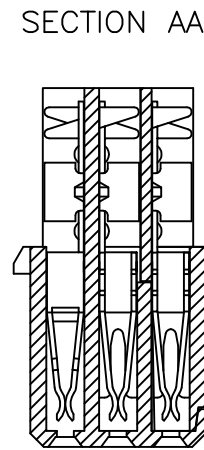
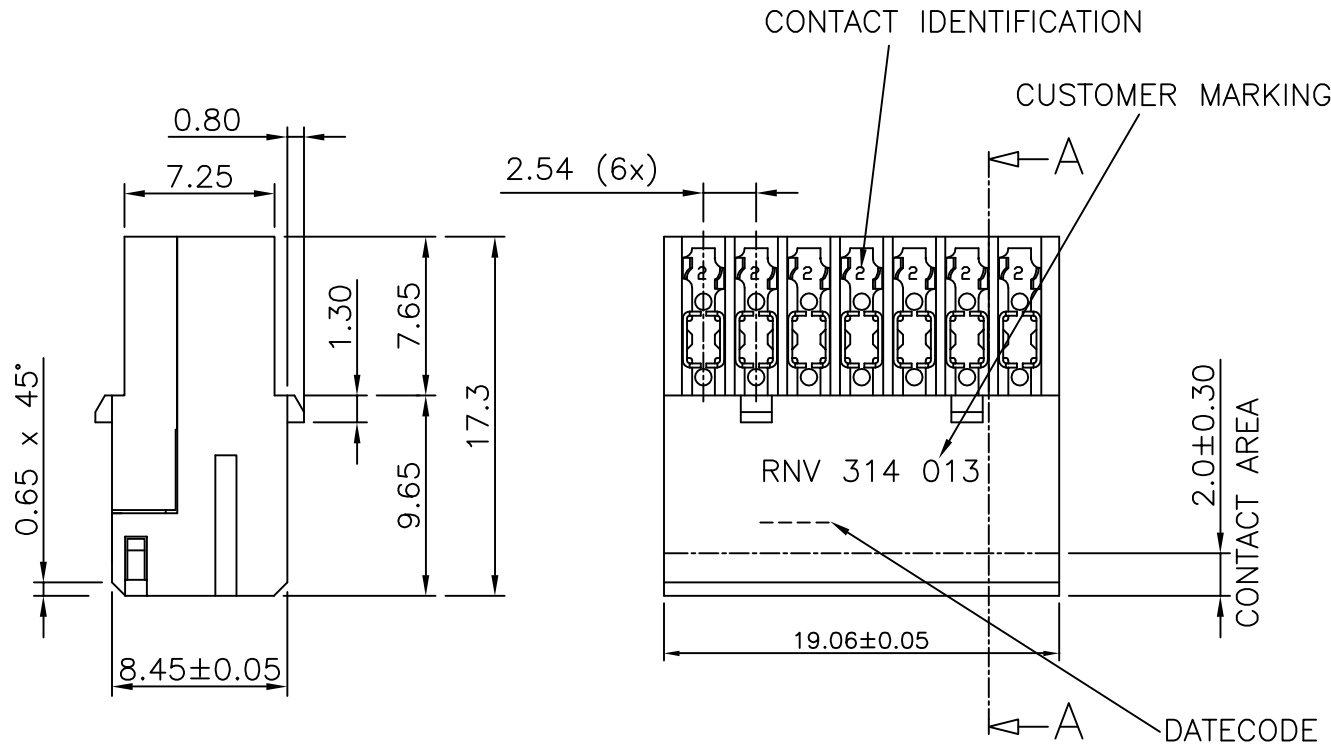
CUSTOMER MARKING

PARTNUMBER ERICSSON : RNV 314 013

DATECODE

YEAR & WEEKCODE EXAMPLE : 9950

OTHER REQUIREMENTS IN ACC. WITH: ERICSSON SPEC. 1301 RNV 314 UEN



mat'l. code		surface		tolerance		projection		product family	
SEE NOTE		ISO 1302		ISO 406 ISO 1101		mm		BPS8	
ltr	ecn no	dr	date	tolerances unless otherwise specified		mm		title	
A	F00819	DLE	2000-10-20	angles	linear	mm		ASSY BPS8	
B	I05-0169	MINI	2005-09-22			mm		21 POS. A,B,C LOADED	
C	I06-0067	MINI	2006-06-01	±1°		scale -			
		dr	D.LEGRAND	2000-10-20		FCI		dwg no	
		enr	J.F.NOTTEAU	2000-10-20				sheet 1 of 1	
		chr	RAKHEE GEORGE	2006-06-01				55356	
		app	RAKHEE GEORGE	2006-06-01				size	
								A3	
sheet index		revision	C					type	
		sheet	1					Product Customer Drawing	



Copyright FCI

Mouser Electronics

Authorized Distributor

Click to View Pricing, Inventory, Delivery & Lifecycle Information:

[FCI / Amphenol:](#)

[BPS8B21FLD200ECLF](#)