



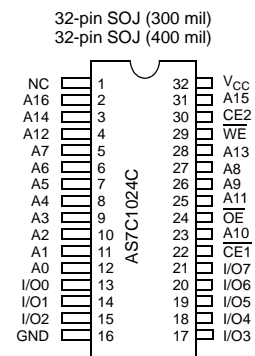
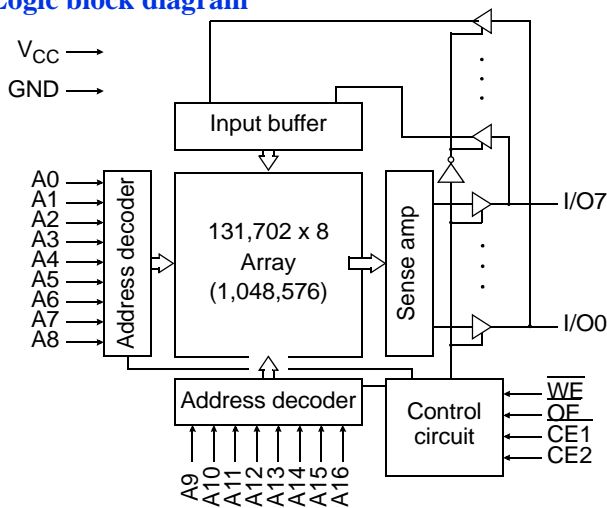
5V 128K X 8 CMOS SRAM

Features

- Industrial (-40° to 85°C) temperature
- Organization: 131,072 x 8 bits
- High speed
 - 12 ns address access time
 - 6 ns output enable access time
- Low power consumption via chip deselect
- Easy memory expansion with $\overline{CE1}$, $\overline{CE2}$, \overline{OE} inputs
- TTL/LVTTL-compatible, three-state I/O
- 32-pin JEDEC standard packages
 - 300 mil SOJ
 - 400 mil SOJ
- ESD protection \geq 2000 volts

Pin arrangement

Logic block diagram





Functional description

The AS7C1024C is a 5V high-performance CMOS 1,048,576-bit Static Random Access Memory (SRAM) device organized as 131,072 words x 8 bits. It is designed for memory applications where fast data access, low power, and simple interfacing are desired.

Equal address access and cycle times (t_{AA} , t_{RC} , t_{WC}) of 12 ns with output enable access times (t_{OE}) of 6 ns are ideal for high performance applications. Active high and low chip enables ($\overline{CE1}$, CE2) permit easy memory expansion with multiple-bank systems.

When $\overline{CE1}$ is high or CE2 is low, the devices enter standby mode. If inputs are still toggling, the device will consume I_{SB} power. If the bus is static, then full standby power is reached (I_{SB1}).

A write cycle is accomplished by asserting write enable (\overline{WE}) and both chip enables ($\overline{CE1}$, CE2). Data on the input pins I/O0 through I/O7 is written on the rising edge of \overline{WE} (write cycle 1) or the active-to-inactive edge of $\overline{CE1}$ or CE2 (write cycle 2). To avoid bus contention, external devices should drive I/O pins only after outputs have been disabled with output enable (\overline{OE}) or write enable (\overline{WE}).

A read cycle is accomplished by asserting output enable (\overline{OE}) and both chip enables ($\overline{CE1}$, CE2), with write enable (\overline{WE}) high. The chips drive I/O pins with the data word referenced by the input address. When either chip enable is inactive, output enable is inactive, or write enable is active, output drivers stay in high-impedance mode.

Absolute maximum ratings

Parameter	Symbol	Min	Max	Unit
Voltage on V_{CC} relative to GND	V_{t1}	-0.50	+7.0	V
Voltage on any pin relative to GND	V_{t2}	-0.50	$V_{CC} + 0.50$	V
Power dissipation	P_D	-	1.25	W
Storage temperature (plastic)	T_{stg}	-55	+125	°C
Ambient temperature with V_{CC} applied	T_{bias}	-55	+125	°C
DC current into outputs (low)	I_{OUT}	-	50	mA

Note:

Stresses greater than those listed under *Absolute Maximum Ratings* may cause permanent damage to the device. This is a stress rating only and functional operation of the device at these or any other conditions outside those indicated in the operational sections of this specification is not implied. Exposure to absolute maximum rating conditions for extended periods may affect reliability.

Truth table

$\overline{CE1}$	CE2	\overline{WE}	\overline{OE}	Data	Mode
H	X	X	X	High Z	Standby (I_{SB} , I_{SB1})
X	L	X	X	High Z	Standby (I_{SB} , I_{SB1})
L	H	H	H	High Z	Output disable (I_{CC})
L	H	H	L	D_{OUT}	Read (I_{CC})
L	H	L	X	D_{IN}	Write (I_{CC})

Key: X = don't care, L = low, H = high.



Recommended operating conditions

Parameter	Symbol	Min	Nominal	Max	Unit
Supply Voltage	V_{CC}	4.5	5.0	5.5	V
Input Voltage	V_{IH}	2.2	-	$V_{CC} + 0.5$	V
	$V_{IL}^{(1)}$	$-0.5^{(1)}$	-	0.8	V
Ambient operating temperature (Industrial)	T_A	-40	-	85	°C

Note:

1 V_{IL} min = -1.5V for pulse width less than 10ns, once per cycle.

DC operating characteristics (over the operating range)¹

Parameter	Symbol	Test conditions	AS7C1024C-12		Unit
			Min	Max	
Input leakage current	$ I_{LI} $	$V_{CC} = \text{Max}, V_{IN} = \text{GND to } V_{CC}$	-	5	μA
Output leakage current	$ I_{LO} $	$V_{CC} = \text{Max}, \overline{CE1} = V_{IH}$ or $CE2 = V_{IL}, V_{OUT} = \text{GND to } V_{CC}$	-	5	μA
Operating power supply current	I_{CC}	$V_{CC} = \text{Max}, \overline{CE1} \leq V_{IL},$ $CE2 \geq V_{IH}, f = f_{\text{Max}},$ $I_{OUT} = 0 \text{ mA}$	-	160	mA
Standby power supply current ¹	I_{SB}	$V_{CC} = \text{Max}, \overline{CE1} \geq V_{IH}$ and/or $CE2 \leq V_{IL}, f = f_{\text{Max}}$	-	40	mA
	I_{SB1}	$V_{CC} = \text{Max}, \overline{CE1} \geq V_{CC} - 0.2\text{V}$ and/or $CE2 \leq 0.2\text{V}$ $V_{IN} \leq 0.2\text{V}$ or $V_{IN} \geq V_{CC} - 0.2\text{V}, f = 0$	-	10	mA
Output voltage	V_{OL}	$I_{OL} = 8 \text{ mA}, V_{CC} = \text{Min}$	-	0.4	V
	V_{OH}	$I_{OH} = -4 \text{ mA}, V_{CC} = \text{Min}$	2.4	-	V

Capacitance ($f = 1 \text{ MHz}, T_a = 25^\circ \text{ C}, V_{CC} = \text{NOMINAL}$)²

Parameter	Symbol	Signals	Test conditions	Max	Unit
Input capacitance	C_{IN}	A, $\overline{CE1}$, CE2, \overline{WE} , \overline{OE}	$V_{IN} = 3\text{dV}$	7	pF
I/O capacitance	$C_{I/O}$	I/O	$V_{OUT} = 3\text{dV}$	8	pF

Note:

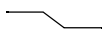

This parameter is guaranteed by device characterization, but is not production tested.



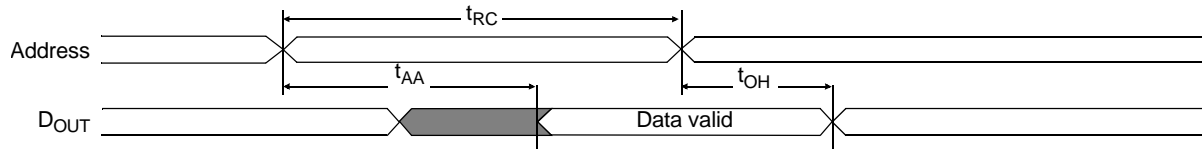
Read cycle (over the operating range)^{3,9}

Parameter	Symbol	AS7C1024C-12		Unit	Notes
		Min	Max		
Read cycle time	t_{RC}	12	–	ns	
Address access time	t_{AA}	–	12	ns	3
Chip enable ($\overline{CE1}$) access time	t_{ACE1}	–	12	ns	3, 12
Chip enable (CE2) access time	t_{ACE2}	–	12	ns	3, 12
Output enable (\overline{OE}) access time	t_{OE}	–	6	ns	
Output hold from address change	t_{OH}	4	–	ns	5
$\overline{CE1}$ Low to output in low Z	t_{CLZ1}	3	–	ns	4, 5, 12
CE2 High to output in low Z	t_{CLZ2}	3	–	ns	4, 5, 12
$\overline{CE1}$ Low to output in high Z	t_{CHZ1}	0	6	ns	4, 5, 12
CE2 Low to output in high Z	t_{CHZ2}	–	5	ns	4, 5, 12
\overline{OE} Low to output in low Z	t_{OLZ}	0	–	ns	4, 5
\overline{OE} High to output in high Z	t_{OHZ}	–	5	ns	4, 5
Power up time	t_{PU}	0	–	ns	4, 5, 12
Power down time	t_{PD}	–	12	ns	4, 5, 12

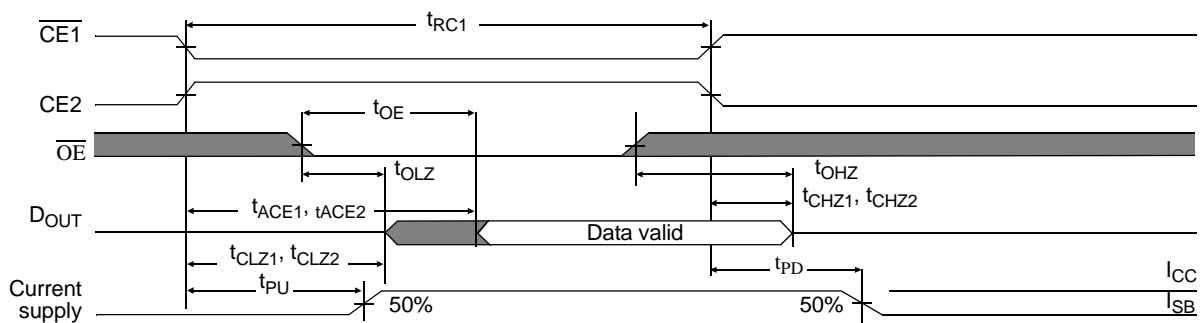
Key to switching waveforms

 Rising input
  Falling input
  Undefined/don't care

Read waveform 1 (address controlled)^{3,6,7,9}



Read waveform 2 ($\overline{CE1}$, CE2, and \overline{OE} controlled)^{3,6,8,9,12}

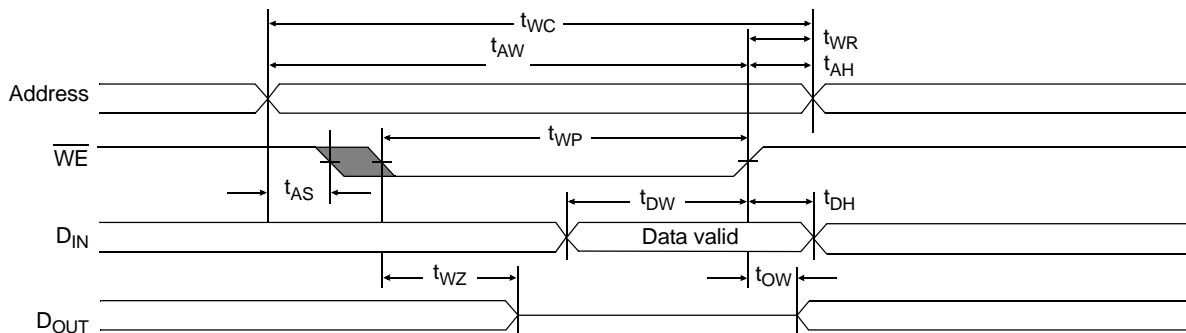




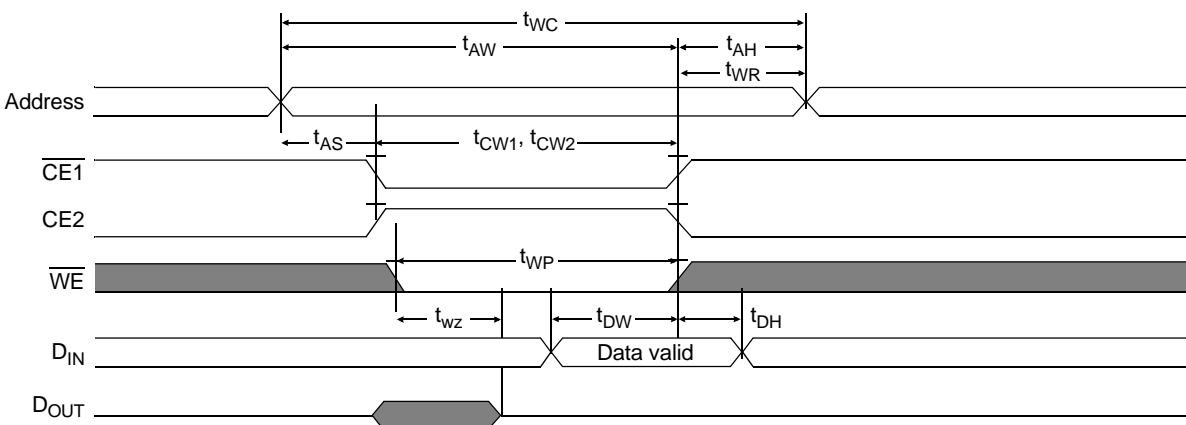
Write cycle (over the operating range)¹¹

Parameter	Symbol	AS7C1024C-12		Unit	Notes
		Min	Max		
Write cycle time	t_{WC}	12	–	ns	
Chip enable ($\overline{CE1}$) to write end	t_{CW1}	10	–	ns	12
Chip enable (CE2) to write end	t_{CW2}	10	–	ns	12
Address setup to write end	t_{AW}	10	–	ns	
Address setup time	t_{AS}	0	–	ns	12
Write pulse width	t_{WP}	8	–	ns	
Write recovery time	t_{WR}	0	–	ns	
Address hold from end of write	t_{AH}	0	–	ns	
Data valid to write end	t_{DW}	7	–	ns	
Data hold time	t_{DH}	0	–	ns	4, 5
Write enable to output in high Z	t_{WZ}	0	5	ns	4, 5
Output active from write end	t_{OW}	3	–	ns	4, 5

Write waveform 1 (\overline{WE} controlled)^{10,11}



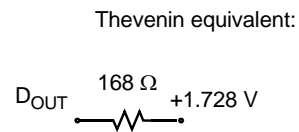
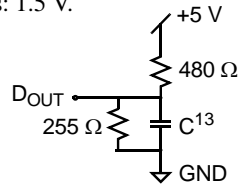
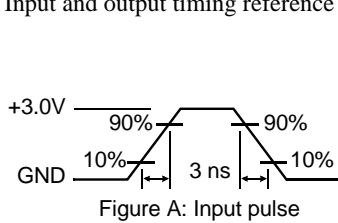
Write waveform 2 ($\overline{CE1}$ and CE2 controlled)^{10,11,12}





AC test conditions

- Output load: see Figure B.
- Input pulse level: GND to 3.0 V. See Figure A.
- Input rise and fall times: 3 ns. See Figure A.
- Input and output timing reference levels: 1.5 V.



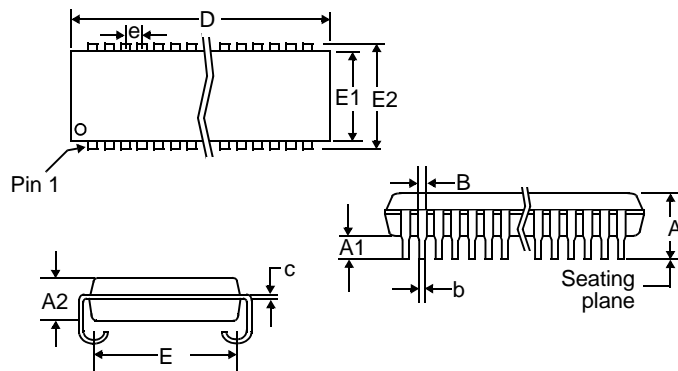
Notes

- 1 During V_{CC} power-up, a pull-up resistor to V_{CC} on \overline{CE} is required to meet I_{SB} specification.
- 2 This parameter is sampled, but not 100% tested.
- 3 For test conditions, see *AC Test Conditions*, Figures A and B.
- 4 t_{CLZ} and t_{CHZ} are specified with $C_L = 5$ pF, as in Figure B. Transition is measured ± 200 mV from steady-state voltage.
- 5 This parameter is guaranteed, but not 100% tested.
- 6 \overline{WE} is high for read cycle.
- 7 \overline{CE} and \overline{OE} are low for read cycle.
- 8 Address is valid prior to or coincident with \overline{CE} transition low.
- 9 All read cycle timings are referenced from the last valid address to the first transitioning address.
- 10 N/A
- 11 All write cycle timings are referenced from the last valid address to the first transitioning address.
- 12 N/A.
- 13 $C = 30$ pF, except all high Z and low Z parameters where $C = 5$ pF.



Package dimensions

32-pin SOJ
300/400 mil



	32-pin SOJ 300 mil		32-pin SOJ 400 mil	
	Min	Max	Min	Max
A	0.128	0.145	0.132	0.146
A1	0.025	-	0.025	-
A2	0.095	0.105	0.105	0.115
B	0.026	0.032	0.026	0.032
b	0.016	0.020	0.015	0.020
c	0.007	0.010	0.007	0.013
D	0.820	0.830	0.820	0.830
E	0.255	0.275	0.354	0.378
E1	0.295	0.305	0.395	0.405
E2	0.330	0.340	0.435	0.445
e	0.050 BSC		0.050 BSC	

Note: This part is compatible with both pin numbering conventions used by various manufacturers.

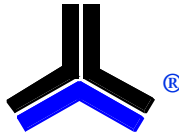


Ordering Codes

Package	Volt/Temp	12 ns
Plastic SOJ, 300 mil	5V industrial	AS7C1024C-12TJIN
Plastic SOJ, 400 mil	5V industrial	AS7C1024C-12JIN

Part numbering system

AS7C	1024C	-XX	X	X	X
SRAM prefix	Device number	Access time	Package: J = SOJ 400 mil TJ = SOJ 300 mil	Temperature range I = industrial, -40° C to 85° C	N = LEAD FREE PART



Alliance Memory, Inc.
1116 South Amphlett
San Mateo, CA 94402
Tel: 650-525-3737
Fax: 650-525-0449
www.alliancememory.com

Copyright © Alliance Memory
All Rights Reserved
Part Number: AS7C1024C
Document Version: v. 1.0

© Copyright 2003 Alliance Memory, Inc. All rights reserved. Our three-point logo, our name and Intelliwatt are trademarks or registered trademarks of Alliance. All other brand and product names may be the trademarks of their respective companies. Alliance reserves the right to make changes to this document and its products at any time without notice. Alliance assumes no responsibility for any errors that may appear in this document. The data contained herein represents Alliance's best data and/or estimates at the time of issuance. Alliance reserves the right to change or correct this data at any time, without notice. If the product described herein is under development, significant changes to these specifications are possible. The information in this product data sheet is intended to be general descriptive information for potential customers and users, and is not intended to operate as, or provide, any guarantee or warranty to any user or customer. Alliance does not assume any responsibility or liability arising out of the application or use of any product described herein, and disclaims any express or implied warranties related to the sale and/or use of Alliance products including liability or warranties related to fitness for a particular purpose, merchantability, or infringement of any intellectual property rights, except as express agreed to in Alliance's Terms and Conditions of Sale (which are available from Alliance). All sales of Alliance products are made exclusively according to Alliance's Terms and Conditions of Sale. The purchase of products from Alliance does not convey a license under any patent rights, copyrights; mask works rights, trademarks, or any other intellectual property rights of Alliance or third parties. Alliance does not authorize its products for use as critical components in life-supporting systems where a malfunction or failure may reasonably be expected to result in significant injury to the user, and the inclusion of Alliance products in such life-supporting systems implies that the manufacturer assumes all risk of such use and agrees to indemnify Alliance against all claims arising from such use.

Mouser Electronics

Authorized Distributor

Click to View Pricing, Inventory, Delivery & Lifecycle Information:

[Alliance Memory:](#)

[AS7C1024C-12JIN](#) [AS7C1024C-12TJIN](#) [AS7C1024C-12TJINTR](#) [AS7C1024C-12JINTR](#)