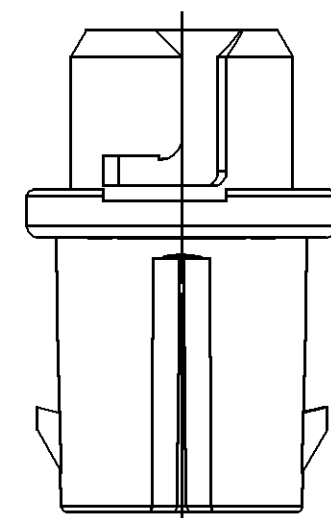
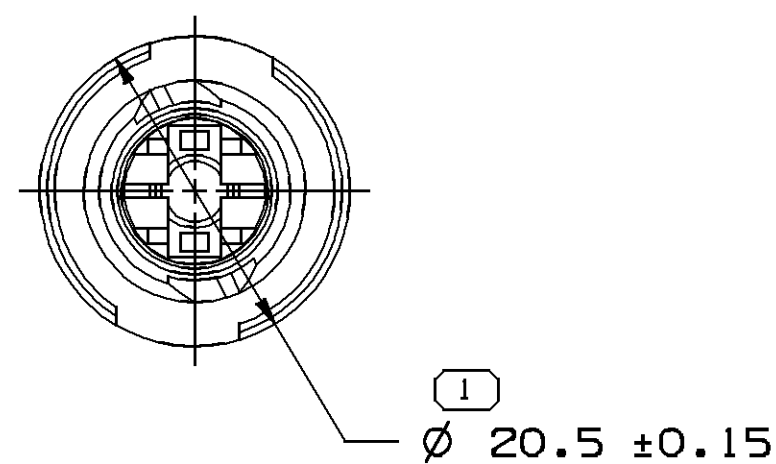
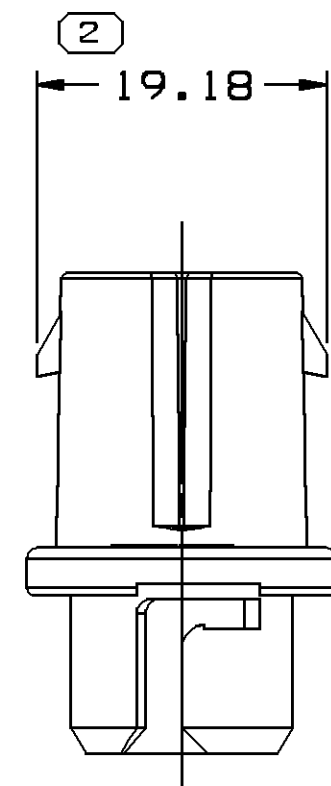
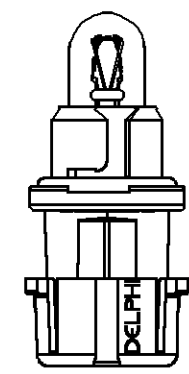
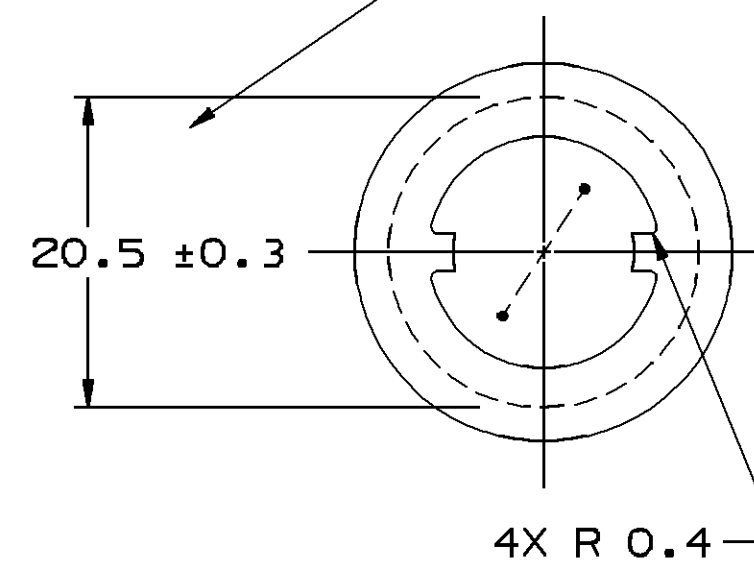


BULB & SOCKET RELATIONSHIP  
SCALE: 1:1



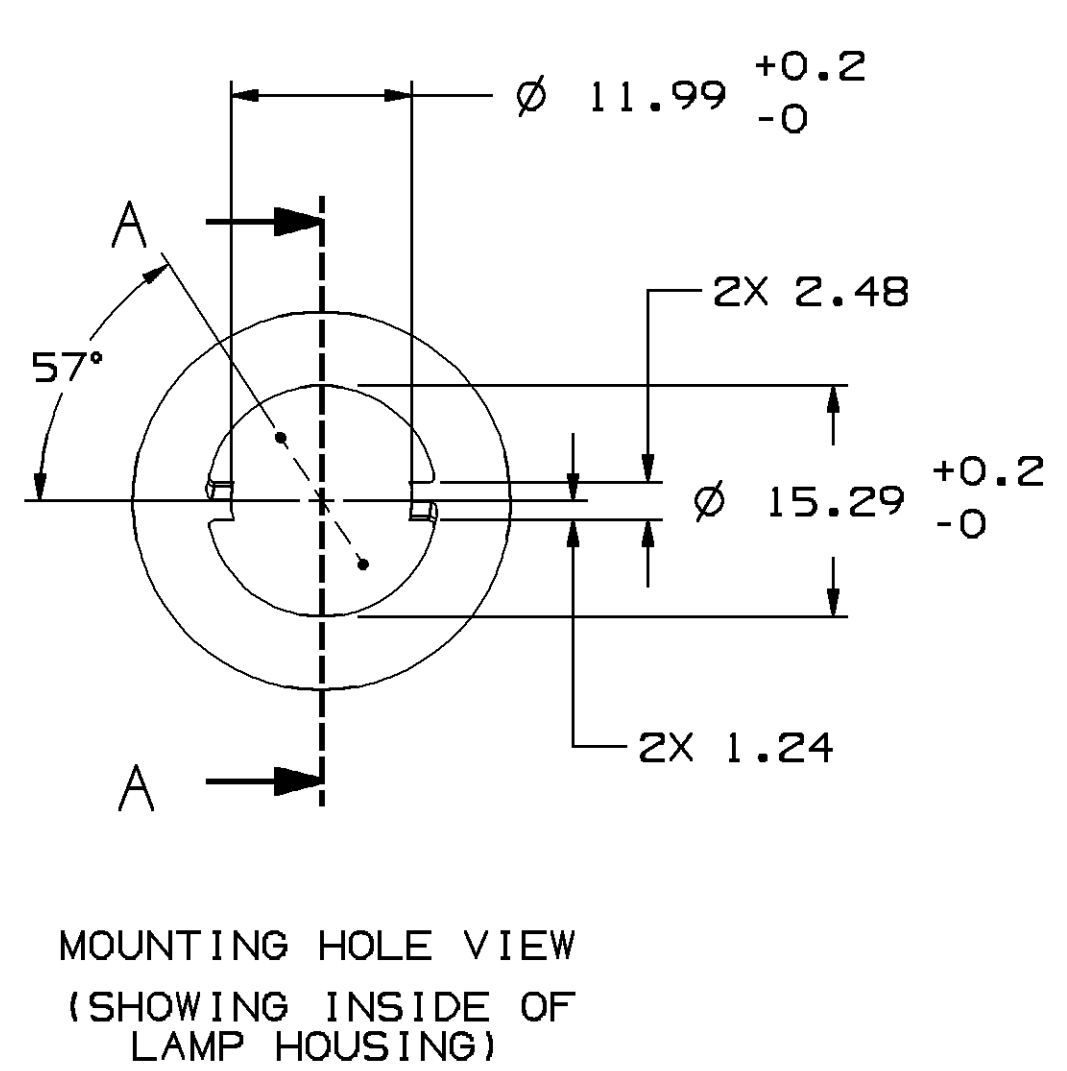
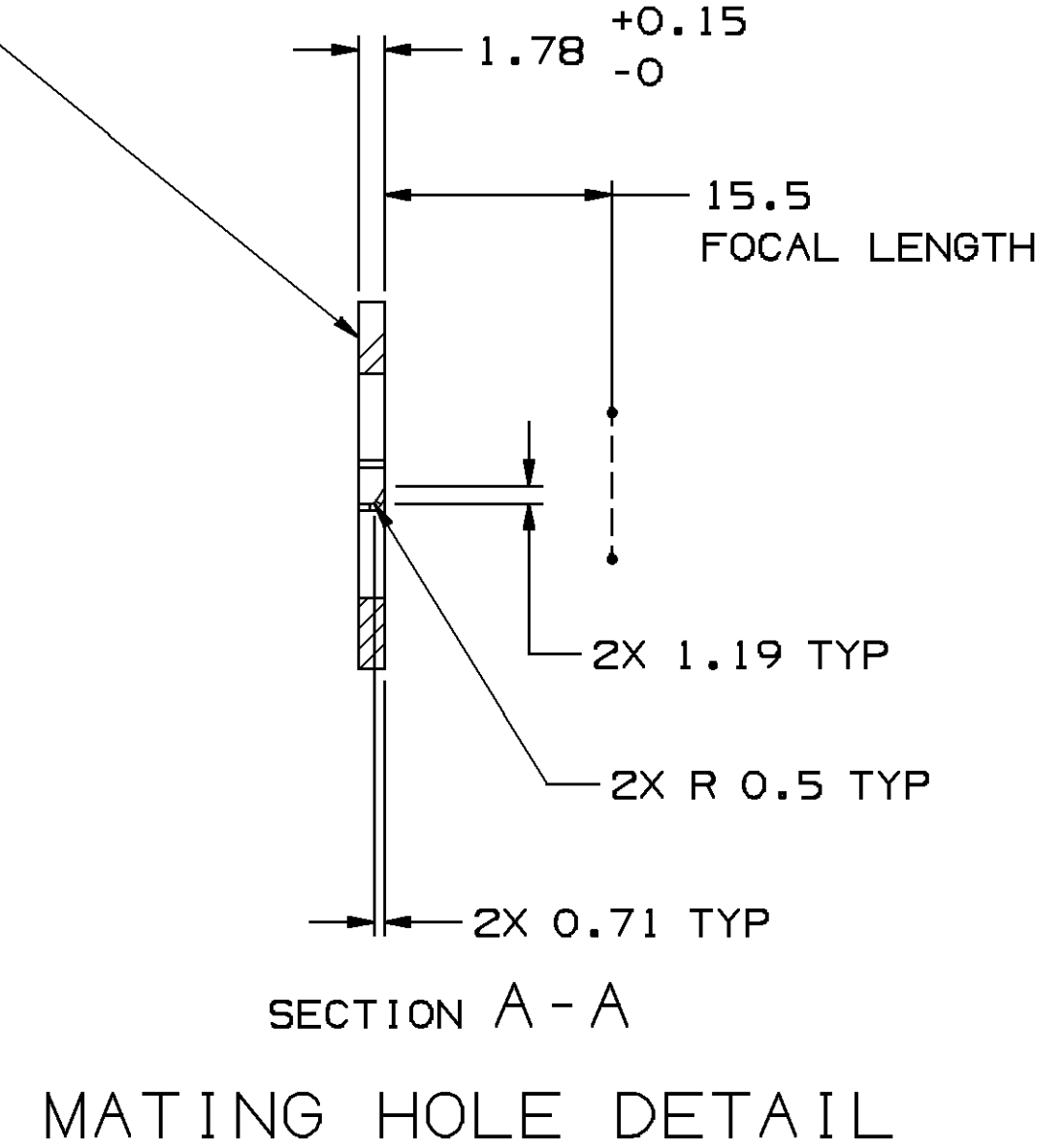
SOCKET SEALING SURFACE MUST BE FREE OF DEFECTS, EJECTORS, FLASH AND WARPAGE FOR RADIUS SHOWN.



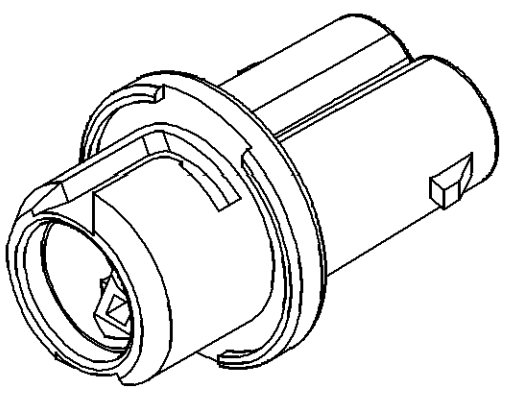
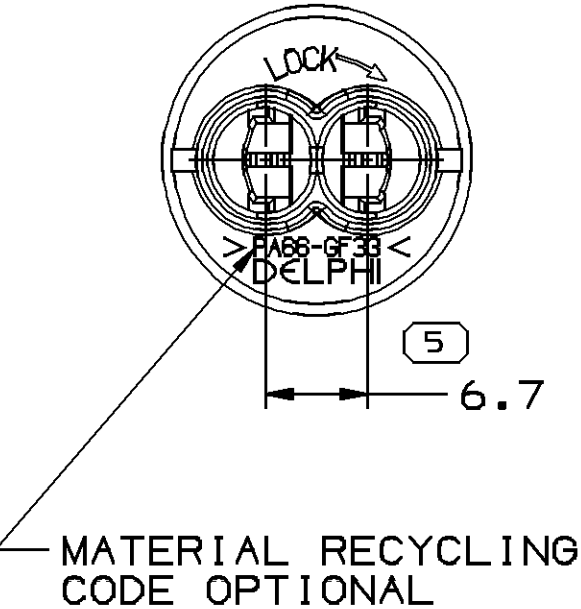
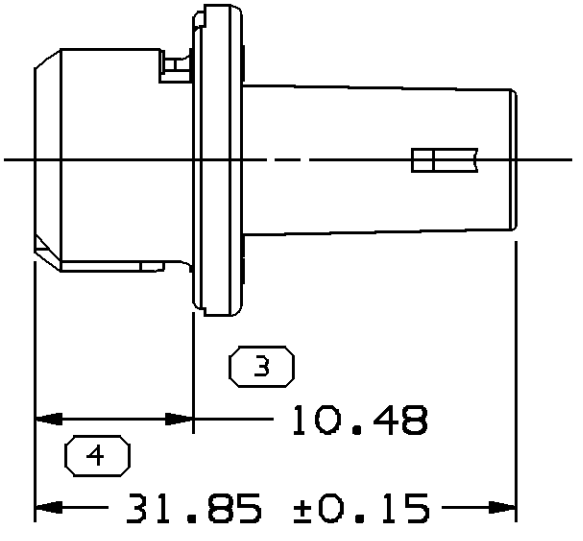
MOUNTING HOLE VIEW  
(LOOKING AT REAR OF LAMP HOUSING)

SYMBOL DEFINITION		MISSING SYMBOLS	
A DIMENSION WITHOUT AN INSPECTION REPORT SYMBOL DOES NOT REQUIRE INSPECTION. IT MAY BE CONTROLLED ON THE INDIVIDUAL COMPONENT DRAWING.	TOTAL NO OF INSPECTIONS REQUIRED	NO MISSING SYMBOL NUMBER	
	5		
	LAST NO. USED		
	5		

DWG STATUS				ZONE	REVISION HISTORY			AUTH	DR	APVD1	APVD2
09MR99	R	03	-	-	CLEARED REV COLUMN & REVISED			182488	EFM	AUG	MF
13DE99	R	03	AA	-	UPDATED PDM ATTRIBUTES			198038	JCO	MVA	MF
25JL00	R	03	AB	-	57 * WAS 67*			202358	EFM	001	MF
05FE09	R	03	AC	-	UPDATED MAT'L CALLOUT			407255	R0T	JAA	PT0



- NOTES
- UNLESS OTHERWISE SPECIFIED AND/OR INDICATED: DIMENSIONS ARE TO FACE OF VIEW SHOWN AND AUTOMATICALLY ROUNDED BY COMPUTER FOR INSPECTION. (SEE MATH MODEL FOR PRECISE DIMENSIONS.) FOR ALL OTHER DIMENSIONS NOT SHOWN BUT REQUIRED FOR TOOL BUILD, SEE MATH MODEL FOR PRECISE TOOL PATH DATA.
  - MATERIAL RECYCLING CODE PER ISO 11469. (1.2)(0.1) CHARACTERS AS SHOWN TO BE LOCATED ON ANY EXTERIOR SURFACE.
  - (1.5)(0.1) DELPHI CORPORATE BRAND TO BE LOCATED ON ANY EXTERIOR SURFACE, PREFERABLY VISIBLE AT FINAL ASSEMBLY. OPTIONAL CONSTRUCTION FOR EXISTING TOOLING MAY BE "PED" OR NO LOGO
  - FOR APPLICATION DATA SEE THE APPLICATION DRAWING.
  - THIS PRODUCT IS NOT CATEGORIZED AS AN APPEARANCE ITEM, MINOR IMPERFECTIONS INCLUDING, BUT NOT LIMITED TO, FLOW MARKS, COLOR BLEMISHES, GATE VESTIGE, AND SOFT FLASH THAT DO NOT AFFECT THE FIT, FORM, OR FUNCTION OF THE PART ARE PERMISSIBLE PER NAP 4.10-18.



DIMENSIONAL RANGE (MM)		CHART ET	
FROM	> 0	> 30	> 100
TO	20	30	100
TOLERANCE UNLESS OTHERWISE SPECIFIED		ANGULAR TOLERANCE ±2°	
	±0.15	±0.2	±0.3
	±0.4	±0.5	±0.6
	±0.8	±1	±1.2

DWG TYPE PART DRAWING	
STYLE	
VOLUME (CPI) 3.196	DISTR CODE D
UNLESS OTHERWISE SPECIFIED THIS DOCUMENT IS IN ACCORDANCE WITH ASME Y14.5M-1994 AS AMENDED BY THE GM GLOBAL DIMENSIONING AND TOLERANCING ADDENDUM-2001. SEPARATE PATTERNS OF FEATURES MAY BE GAGED SEPARATELY REGARDLESS OF DATUM REFERENCES.	
ALL DIMENSIONS ARE IN MILLIMETERS	
REFERENCE	
THIRD ANGLE PROJECTION	DO NOT SCALE USE MATH DATA

**DELPHI**  
DELPHI PACKARD ELECTRICAL/ELECTRONIC ARCHITECTURE  
WARREN, OH

DR	DATE
APVD1 L. R. MOYSEN M	250C96
APVD2 W. TURNBULL	04N096
APVD3 M. E. FRANCIS	15N096
APVD4	
APVD5	
SUBSTANCES OF CONCERN AND RECYCLED CONTENT PER DELPHI 10945001	
MATERIAL POLYAMIDE COMPOUND GRAY	
DRAWING NAME CONN 2 F LP SOC WEDGE SLD W2	
DRAWING NUMBER 15317651	
SIZE A1	SCALE 2:1
FRAME NO 1 OF 1	SHEET NO 1 OF 1
STG R	REV 03
N/P AC	

# Mouser Electronics

Authorized Distributor

Click to View Pricing, Inventory, Delivery & Lifecycle Information:

[Aptiv:](#)

[15317651](#)