

REV 008	DATE 15 Mar 2018	ECN NUMBER C03732	ECB COMMENT ADD TORQUE SETTING MIN 0.5 nM- 1nM MAX				
------------	---------------------	----------------------	---	--	--	--	--

INSULATED BINDING POST WITH A 4mm SOCKET.
 PANEL INSULATING BUSHES WITH A LOCATION KEYWAY,
 THREADED TERMINATION SUPPLIED WITH SOLDER TAG WASHER
 AND LOCK NUTS.
 AVAILABLE IN 7 COLOUR VARIATIONS

MATERIAL:

CAP	:ACETAL
THREAD CONTACT	:BRASS, BRIGHT NICKEL PLATE
INSERT	:BRASS, BRIGHT NICKEL PLATE
BUSH	:BRASS BRIGHT NICKEL PLATE
INSULATING BUSHES	:ACETAL
LOCKNUT	:BRASS, BRIGHT NICKEL PLATE
WASHER	:BRASS, BRIGHT NICKEL PLATE
SOLDER TAG	:BRASS, FLASH SILVER PLATE

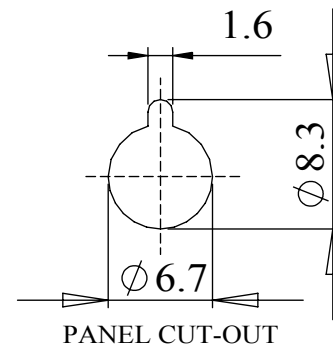
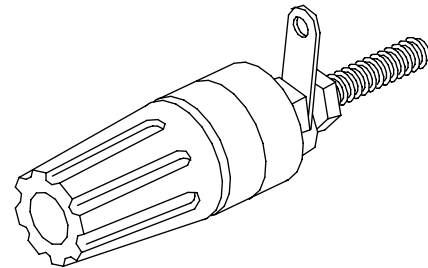
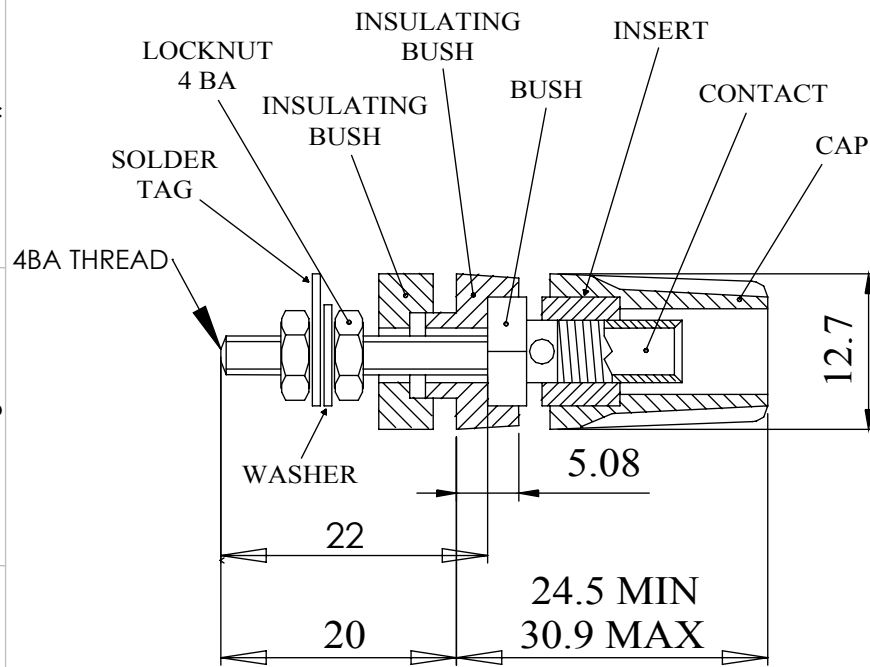
ELECTRICAL:

CURRENT RATING	:16 AMPS
RATED VOLTAGE	: 50 V

MECHANICAL:

RECOMMENDED TORQUE	: MIN 0.5 nM - MAX 1.0 Nm
THREAD	:4BA (3.6mm OR 0.141inch)
PANEL THICKNESS	: 12.7mm (MAX)

DIMENSIONS



COLOUR	PART NUMBER
BLACK	552-0100
BLUE	552-0200
BROWN	552-0300
GREEN	552-0400
RED	552-0500
WHITE	552-0600
YELLOW	552-0700

Mouser Electronics

Authorized Distributor

Click to View Pricing, Inventory, Delivery & Lifecycle Information:

[Deltron:](#)

[552-0400 GRN](#)