

## CRYSTAL OSCILLATOR (SPXO)

OUTPUT : CMOS, TTL

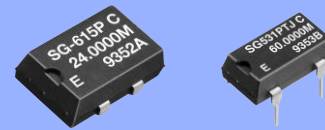
# SG-615P

# SG-531P

- Frequency range : 1.025 MHz to 26 MHz
- Supply voltage : 5.0 V Typ.
- Function : Output enable(OE)
- Pin compatible with half-size metal can. (SG-531P)

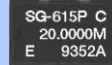


Product Number (please contact us)  
 SG-615P : Q33615012xxxx00  
 SG-531P : Q32531012xxxx00



Actual size

SG-615P



SG-531P



### Specifications (characteristics)

Item	Symbol	Specifications		Conditions / Remarks
		SG-615P / SG-531P		
Output frequency range	$f_o$	1.025 MHz to 26 MHz		Please contact us about available frequencies.
Supply voltage	$V_{cc}$	5.0 V $\pm$ 0.5 V		
Storage temperature	$T_{stg}$	-55 °C to +125 °C		Storage as single product.
Operating temperature	$T_{use}$	-20 °C to +70 °C		
Frequency tolerance	$f_{tol}$	B: $\pm 50 \times 10^{-6}$ , C: $\pm 100 \times 10^{-6}$		-20 °C to +70 °C
Current consumption	$I_{cc}$	23 mA Max.		No load condition
Disable current	$I_{dis}$	12 mA Max.		OE=GND
Symmetry	SYM	40 % to 60 %		CMOS load:50 % $V_{cc}$ level
		40 % to 60 %		TTL load: 1.4 V level
Output voltage	$V_{OH}$	$V_{cc}$ -0.4 V Min.		$I_{OH}$ =-400 $\mu$ A
	$V_{OL}$	0.4 V Max.		$I_{OL}$ =16 mA(P)/ 8 mA(PTJ)
Output load condition (TTL)	$L_{TTL}$	10 TTL Max.		$L_{CMOS} \leq 15$ pF
Output load condition (CMOS)	$L_{CMOS}$	50 pF Max.		
Input voltage	$V_{IH}$	2.0 V Min.		$I_{IH}$ = 1 $\mu$ A Max. (OE= $V_{cc}$ )
	$V_{IL}$	0.8 V Max.		$I_{IL}$ = -100 $\mu$ A Min. (OE=GND), PTJ: $I_{IL}$ = -500 $\mu$ A Min.(OE=GND)
Rise time / Fall time	$t_r / t_f$	8 ns Max.		CMOS load:20 % $V_{cc}$ to 80 % $V_{cc}$ level
		8 ns Max.		TTL load:0.4 V to 2.4 V level
Start-up time	$t_{str}$	4 ms Max.		Time at minimum supply voltage to be 0 s
Frequency aging	$f_{aging}$	$\pm 5 \times 10^{-6}$ / year Max.		+25 °C, $V_{cc}$ =5.0 V, First year

Product Name SG-615P 20.000000MHz C

(Standard form)

① ② ③ ④

①Model ②Function (P: Output enable) ③Frequency

④Frequency tolerance(B:  $\pm 50 \times 10^{-6}$  / -20 ~ +70°C / C:  $\pm 100 \times 10^{-6}$  / -20 ~ +70°C)

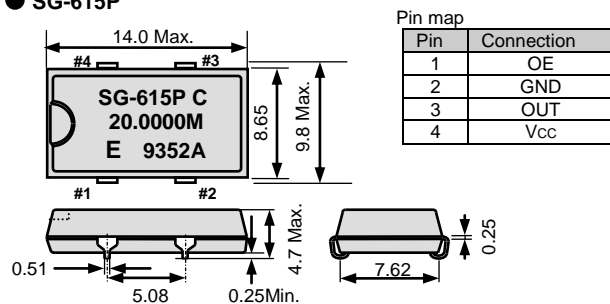
### External dimensions

(Unit:mm)

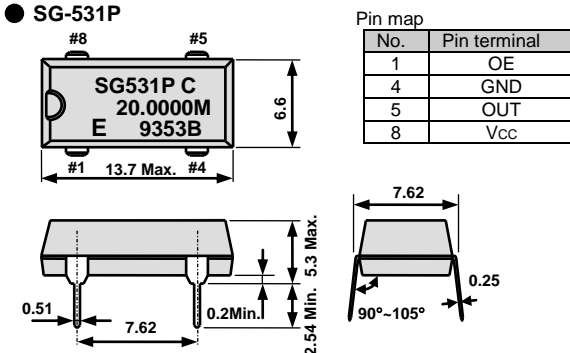
### Footprint (Recommended)

(Unit:mm)

#### ● SG-615P

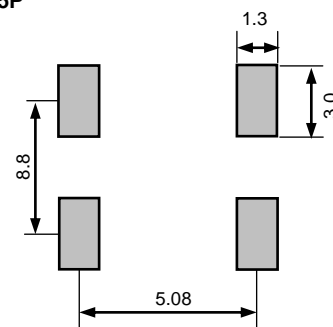


#### ● SG-531P



Note.  
 OE pin = "H" or "open" : Specified frequency output.  
 OE pin = "L" : Output is high impedance.

#### ● SG-615P



To maintain stable operation, provide a 0.01 $\mu$ F to 0.1 $\mu$ F by-pass capacitor at a location as near as possible to the power source terminal of the crystal product (between  $V_{cc}$  - GND).

## PROMOTION OF ENVIRONMENTAL MANAGEMENT SYSTEM CONFORMING TO INTERNATIONAL STANDARDS

At Seiko Epson, all environmental initiatives operate under the Plan-Do-Check-Action (PDCA) cycle designed to achieve continuous improvements. The environmental management system (EMS) operates under the ISO 14001 environmental management standard.

All of our major manufacturing and non-manufacturing sites, in Japan and overseas, completed the acquisition of ISO 14001 certification.

ISO 14000 is an international standard for environmental management that was established by the International Standards Organization in 1996 against the background of growing concern regarding global warming, destruction of the ozone layer, and global deforestation.

## WORKING FOR HIGH QUALITY

In order provide high quality and reliable products and services than meet customer needs,

Seiko Epson made early efforts towards obtaining ISO9000 series certification and has acquired ISO9001 for all business establishments in Japan and abroad. We have also acquired ISO/TS 16949 certification that is requested strongly by major automotive manufacturers as standard.

ISO/TS16949 is the international standard that added the sector-specific supplemental requirements for automotive industry based on ISO9001.

### ► Explanation of the mark that are using it for the catalog

	► Pb free.
	► Complies with EU RoHS directive. *About the products without the Pb-free mark. Contains Pb in products exempted by EU RoHS directive. (Contains Pb in sealing glass, high melting temperature type solder or other.)
	► Designed for automotive applications such as Car Multimedia, Body Electronics, Remote Keyless Entry etc.
	► Designed for automotive applications related to driving safety (Engine Control Unit, Air Bag, ESC etc ).

## Notice

- This material is subject to change without notice.
- Any part of this material may not be reproduced or duplicated in any form or any means without the written permission of Seiko Epson.
- The information about applied data, circuitry, software, usage, etc. written in this material is intended for reference only. Seiko Epson does not assume any liability for the occurrence of customer damage or infringing on any patent or copyright of a third party. This material does not authorize the licensing for any patent or intellectual copyrights.
- When exporting the products or technology described in this material, you should comply with the applicable export control laws and regulations and follow the procedures required by such laws and regulations.
- You are requested not to use the products (and any technical information furnished, if any) for the development and/or manufacture of weapon of mass destruction or for other military purposes. You are also requested that you would not make the products available to any third party who may use the products for such prohibited purposes.
- These products are intended for general use in electronic equipment. When using them in specific applications that require extremely high reliability, such as the applications stated below, you must obtain permission from Seiko Epson in advance.  
/ Space equipment (artificial satellites, rockets, etc.) / Transportation vehicles and related (automobiles, aircraft, trains, vessels, etc.) / Medical instruments to sustain life / Submarine transmitters / Power stations and related / Fire work equipment and security equipment / traffic control equipment / and others requiring equivalent reliability.
- All brands or product names mentioned herein are trademarks and/or registered trademarks of their respective.

# Mouser Electronics

Authorized Distributor

Click to View Pricing, Inventory, Delivery & Lifecycle Information:

## Epson:

[SG-615PTJ38.4MB:ROHS](#) [SG-531P 10.0000MC:ROHS](#) [SG-531P 12.2880MC:ROHS](#) [SG-531P 14.7456MC:ROHS](#)  
[SG-531P 18.4320MC:ROHS](#) [SG-531P 19.6608MC:ROHS](#) [SG-531P 3.2768MC:ROHS](#) [SG-531P 3.579545MC:ROHS](#)  
[SG-531P 3.6864MC:ROHS](#) [SG-531P 4.0000MC:ROHS](#) [SG-531P 8.0000MC:ROHS](#) [SG-531PTJ 27.0000MC:ROHS](#)  
[SG-531PTJ 29.4910MC:ROHS](#) [SG-615P 1.4150MC3: ROHS](#) [SG-615P 1.8432MC3:ROHS](#) [SG-615P 10.0000MC3:](#)  
[ROHS](#) [SG-615P 10.2400MC3: ROHS](#) [SG-615P 11.0592MB0: PURE SN](#) [SG-615P 11.0592MC3: ROHS](#) [SG-615P](#)  
[12.0000MC3:ROHS](#) [SG-615P 12.5000MC3: ROHS](#) [SG-615P 14.31818MB0: PURE SN](#) [SG-615P 14.31818MC:ROHS](#)  
[SG-615P 14.31818MC3:ROHS](#) [SG-615P 14.5000MC: ROHS](#) [SG-615P 16.0000MC:ROHS](#) [SG-615P](#)  
[16.0000MC3:ROHS](#) [SG-615P 2.0000MC: ROHS](#) [SG-615P 2.0480MC3: ROHS](#) [SG-615P 20.0000MC:ROHS](#) [SG-615P](#)  
[20.0000MC3:ROHS](#) [SG-615P 21.6200MB3: ROHS](#) [SG-615P 24.5760MC3: ROHS](#) [SG-615P 25.0000MB3: ROHS](#) [SG-](#)  
[615P 25.0000MC3:ROHS](#) [SG-615P 3.6864MB0: PURE SN](#) [SG-615P 3.6864MC3:ROHS](#) [SG-615P 4.0000MC3: ROHS](#)  
[SG-615P 4.0960MC3: ROHS](#) [SG-615P 4.9152MC3: PURE SN](#) [SG-615P 4.9152MC3: ROHS](#) [SG-615P 5.0000MC0:](#)  
[ROHS](#) [SG-615P 5.0000MC3: ROHS](#) [SG-615P 6.0000MC3: ROHS](#) [SG-615P 6.1440MC3: ROHS](#) [SG-615P](#)  
[7.3728MC3: ROHS](#) [SG-615P 8.0000MC0: ROHS](#) [SG-615P 8.0000MC3: ROHS](#) [SG-615PCG 10.0000MC3: ROHS](#)  
[SG-615PCG 14.7456MC0: ROHS](#) [SG-615PCG 2.0000MM: ROHS](#) [SG-615PCG 2.4576MC3: ROHS](#) [SG-615PCG](#)  
[20.0000MC3: ROHS](#) [SG-615PCG 24.0000MC0: ROHS](#) [SG-615PCG 24.0000MM0: PURE SN](#) [SG-615PCG](#)  
[8.0000MC3: ROHS](#) [SG-615PCG 8.0000MM0: PURE SN](#) [SG-615PCG 9.8300MC0: ROHS](#) [SG-615PCN 50.0000MB3:](#)  
[ROHS](#) [SG-615PCN 60.0000MB: ROHS](#) [SG-615PCN 66.0000MC3: ROHS](#) [SG-615PCW 33.0000MB0: PURE SN](#) [SG-](#)  
[615PCW 33.0000MB3: ROHS](#) [SG-615PCW 80.0000MB0: PURE SN](#) [SG-615PTJ 27.0000MC3: ROHS](#) [SG-615PTJ](#)  
[33.3333MC0: PURE SN](#) [SG-615PTJ 36.0000MC3: ROHS](#) [SG-615PTJ 50.0000MC3: ROHS](#) [SG-](#)  
[615P2.0000MC3:ROHS](#) [SG-51PTJ 29.4912MC](#) [SG-51PTJ 29.4912MC:ROHS](#) [SG-615P 20.0000MC3: ROHS](#) [SG-](#)  
[615P 10.0000MC3: PURE SN](#) [SG-531P 1.8432MC: ROHS](#) [SG-615P 3.6864MC3: PURE SN](#) [SG-615P 4.0000MC3:](#)  
[PURE SN](#) [SG-531P 20.0000MC: ROHS](#) [SG-531P 16.0000MC: ROHS](#) [SG-531P 4.9152MC: ROHS](#) [SG-531P](#)  
[4.0960MC: ROHS](#) [SG-615P 2.4576MC3: ROHS](#) [SG-615P 8.0000MC3: PURE SN](#) [SG-531P 11.0592MC: ROHS](#)