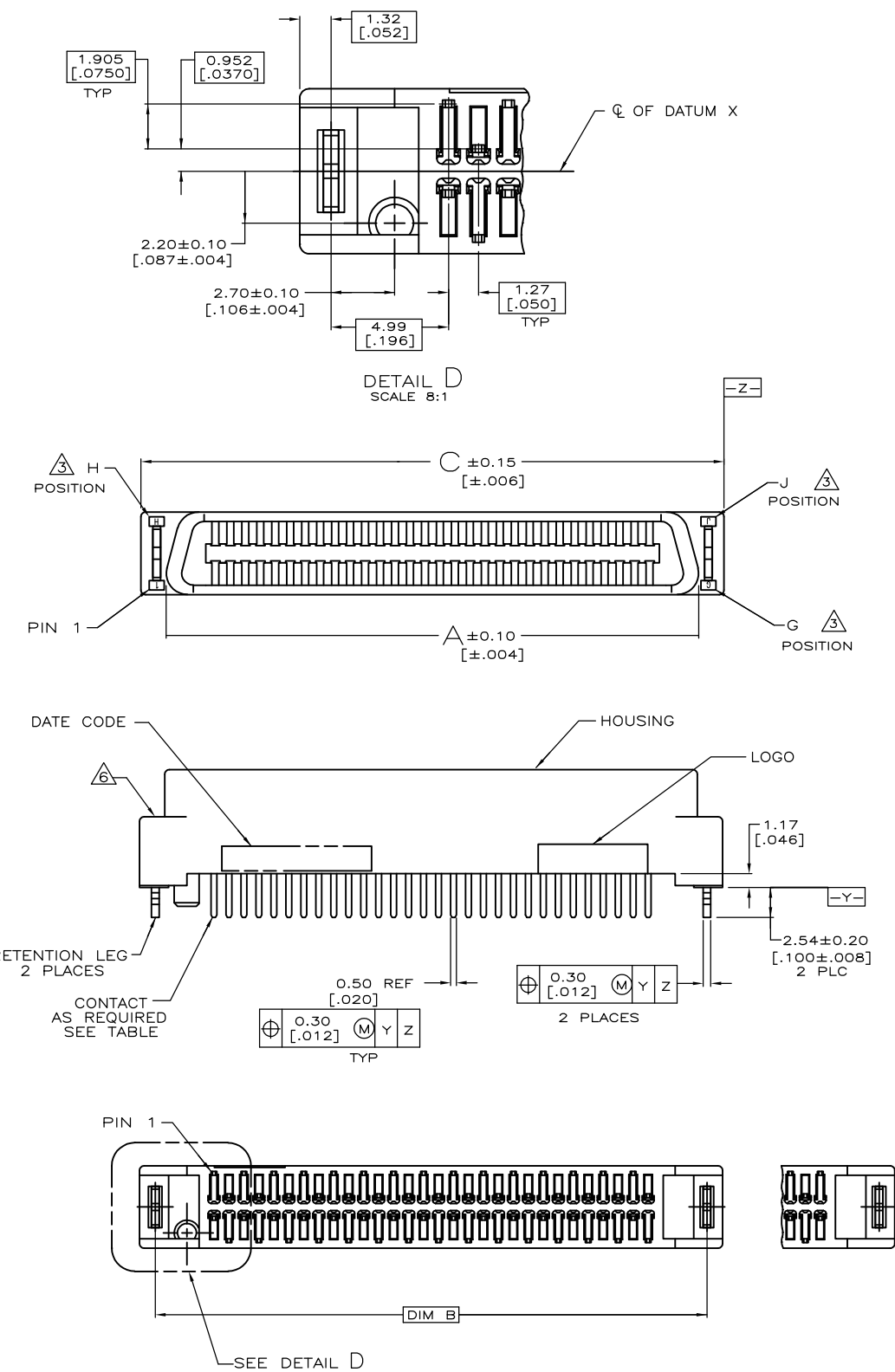


THIS DRAWING IS UNPUBLISHED. RELEASED FOR PUBLICATION
 © COPYRIGHT - By - ALL RIGHTS RESERVED.

LOC	DIST	REVISIONS					
		P	LTR	DESCRIPTION	DATE	DWN	APVD
DW	/		E	REVISED PER ECO-15-011028	2NOV2015	RG	SH



NOTE:
 1. MATERIAL:
 HOUSING: LCP, MOLDING COMPOUND, UL 94V-0, BLACK COLOR.
 CONTACTS: BRASS.
 BOARDLOCKS: BRASS.
 2. FINISH:
 CONTACTS: (SEE TABLE) GOLD PLATED ON CONTACT AREA,
 3.81µm [150µ"] MIN. MATTE-TIN ON SOLDERTAIL,
 1.27µm [50µ"] MIN. NICKEL UNDERPLATED OVERALL.
 BOARDLOCKS: 3.81µm [150µ"] MIN. TIN-Cu OVER
 1.27µm [50µ"] MIN. UNDERPLATED.
 △ G, J, H INDICATE NUMBER OF POSITION MARKED ON ASSEMBLY.
 ALSO SEE TABLE.
 △ ALL DIMENSIONS SHOWN ARE MAXIMUM UNLESS OTHERWISE SPECIFIED.
 △ RETENTION LEGS NOT PRESENT.
 △ TOP OF RETENTION LEG MAY NOT PROTRUDE ABOVE THIS SURFACE.
 △ HOUSING BOW UP TO 0.30 [0.012] ALLOWED.
 8. 60 POSITION AS SHOWN.
 9. WAVE SOLDER CAPABLE TO 265°C PER TEST SPEC.
 109-202, CONDITION B.
 △ GOLD FLASH OVER
 0.762µm [30µ"] MIN. PALLADIUM-NICKEL PLATED.

PCB THICKNESS	E	C	B	A	G	J	H	CONTACT PLATED	PART NUMBER	POS.
0.80-1.60 [0.031-0.063]	2.54 [1.00]	125.65 [4.947]	123.01 [4.843]	121.37 [4.778]	90	180	91	GOLD FLASH	5-1734100-8	180
0.80-1.60 [0.031-0.063]	2.54 [1.00]	112.95 [4.447]	110.31 [4.343]	108.67 [4.278]	80	160	81	GOLD FLASH	5-1734100-6	160
0.80-1.60 [0.031-0.063]	2.54 [1.00]	93.90 [3.697]	91.26 [3.593]	89.62 [3.528]	65	130	66	GOLD FLASH	5-1734100-3	130
0.80-1.60 [0.031-0.063]	2.54 [1.00]	87.55 [3.447]	84.91 [3.343]	83.27 [3.278]	60	120	61	GOLD FLASH	5-1734100-2	120
0.80-1.60 [0.031-0.063]	2.54 [1.00]	74.85 [2.947]	72.21 [2.843]	70.57 [2.778]	50	100	51	GOLD FLASH	5-1734100-1	100
0.80-1.60 [0.031-0.063]	2.54 [1.00]	74.85 [2.947]	72.21 [2.843]	70.57 [2.778]	50	100	51	GOLD FLASH	5-1734100-0	100
0.80-1.60 [0.031-0.063]	2.54 [1.00]	62.15 [2.447]	59.51 [2.343]	57.87 [2.278]	40	80	41	GOLD FLASH	4-1734100-9	80
0.80-1.60 [0.031-0.063]	2.54 [1.00]	62.15 [2.447]	59.51 [2.343]	57.87 [2.278]	40	80	41	GOLD FLASH	4-1734100-8	80
0.80-1.60 [0.031-0.063]	2.54 [1.00]	54.53 [2.147]	51.89 [2.043]	50.25 [1.978]	34	68	35	GOLD FLASH	4-1734100-7	68
0.80-1.60 [0.031-0.063]	2.54 [1.00]	49.45 [1.947]	46.81 [1.843]	45.17 [1.778]	30	60	31	GOLD FLASH	4-1734100-6	60
0.80-1.60 [0.031-0.063]	2.54 [1.00]	43.10 [1.697]	40.46 [1.593]	38.82 [1.528]	25	50	26	GOLD FLASH	5-1734100-9	50
0.80-1.60 [0.031-0.063]	2.54 [1.00]	43.10 [1.697]	40.46 [1.593]	38.82 [1.528]	25	50	26	GOLD FLASH	4-1734100-5	50
0.80-1.60 [0.031-0.063]	2.54 [1.00]	36.75 [1.447]	34.11 [1.343]	32.47 [1.278]	20	40	21	GOLD FLASH	4-1734100-4	40
0.80-1.60 [0.031-0.063]	2.54 [1.00]	30.40 [1.197]	27.76 [1.093]	26.12 [1.025]	15	30	16	GOLD FLASH	4-1734100-3	30
2.08 [0.082]	3.17 [1.25]	24.05 [0.947]	21.41 [0.843]	19.77 [0.778]	10	20	11	GOLD FLASH	4-1734100-2	20

THIS DRAWING IS A CONTROLLED DOCUMENT.

DIMENSIONS: mm

TOLERANCES UNLESS OTHERWISE SPECIFIED:

0 PLC	± -
1 PLC	± -
2 PLC	± -
3 PLC	± -
4 PLC	± -
ANGLES	± -

MATERIAL: SEE NOTE

FINISH: SEE NOTE

DWN: F. YANG 31MAR2009

CHK: S. CHIEN 31MAR2009

APVD: W. KODAMA 31MAR2009

PRODUCT SPEC: 108-57876

APPLICATION SPEC: -

WEIGHT: -

CUSTOMER DRAWING

STE TE Connectivity

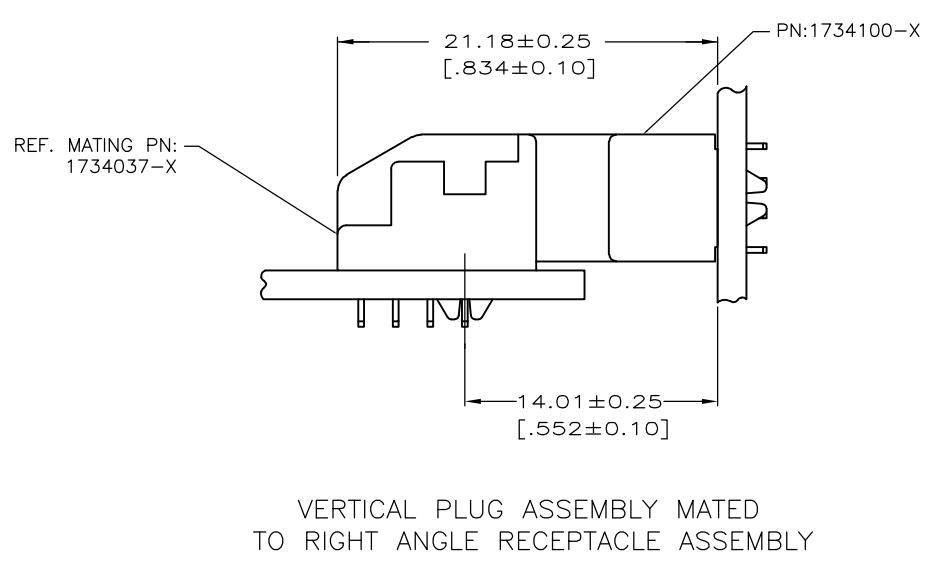
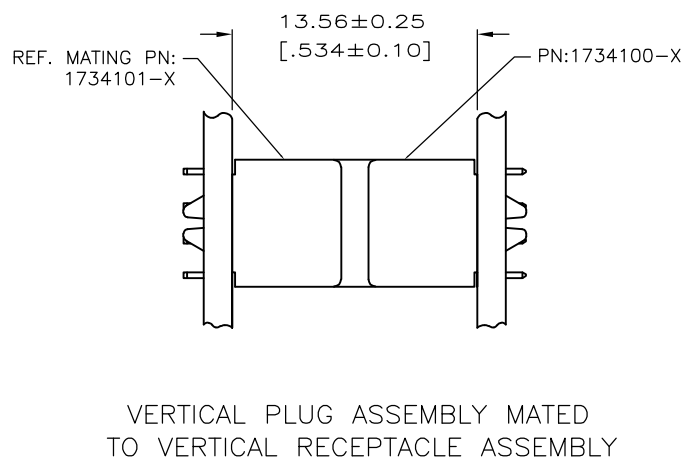
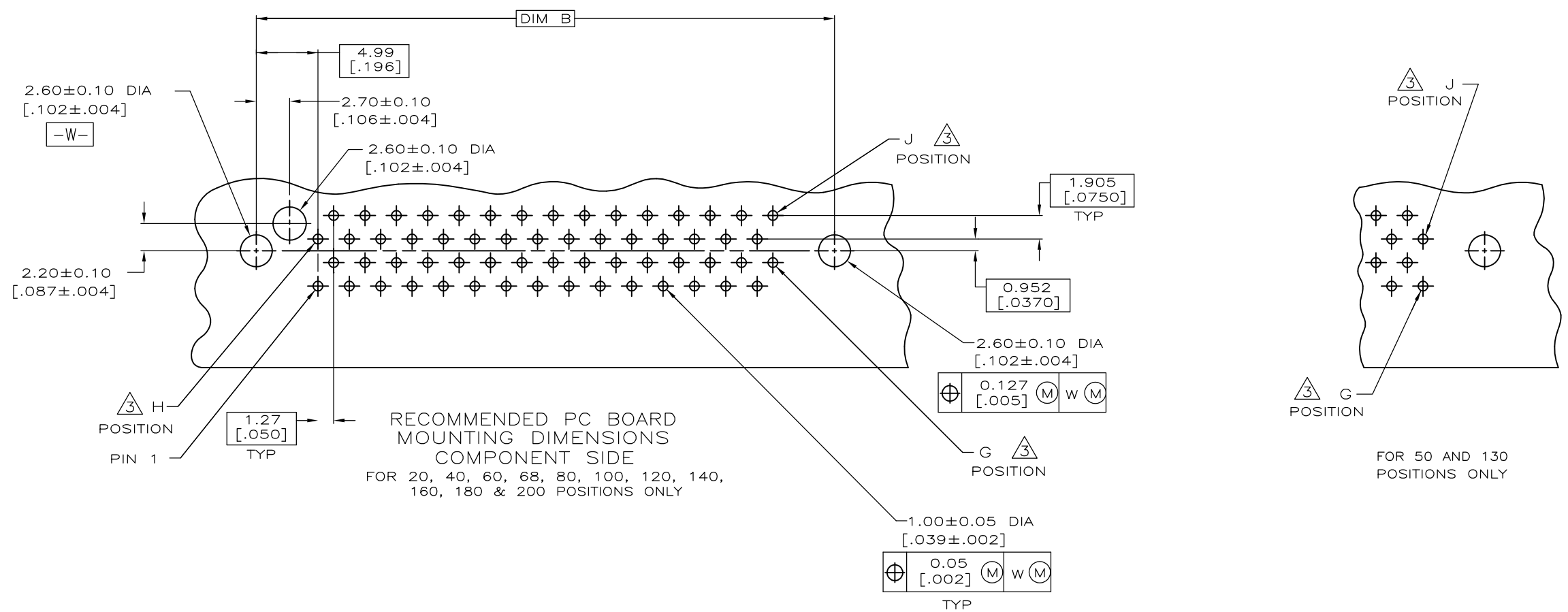
PLUG ASSEMBLY, VERTICAL BOARD-TO-BOARD, CHAMP .050, SERIES I

SIZE: A3 CAGE CODE: 00779 DRAWING NO: C-1734100 RESTRICTED TO: -

SCALE: - SHEET: 1 OF 4 REV: E

THIS DRAWING IS UNPUBLISHED. RELEASED FOR PUBLICATION
 © COPYRIGHT - By - ALL RIGHTS RESERVED.

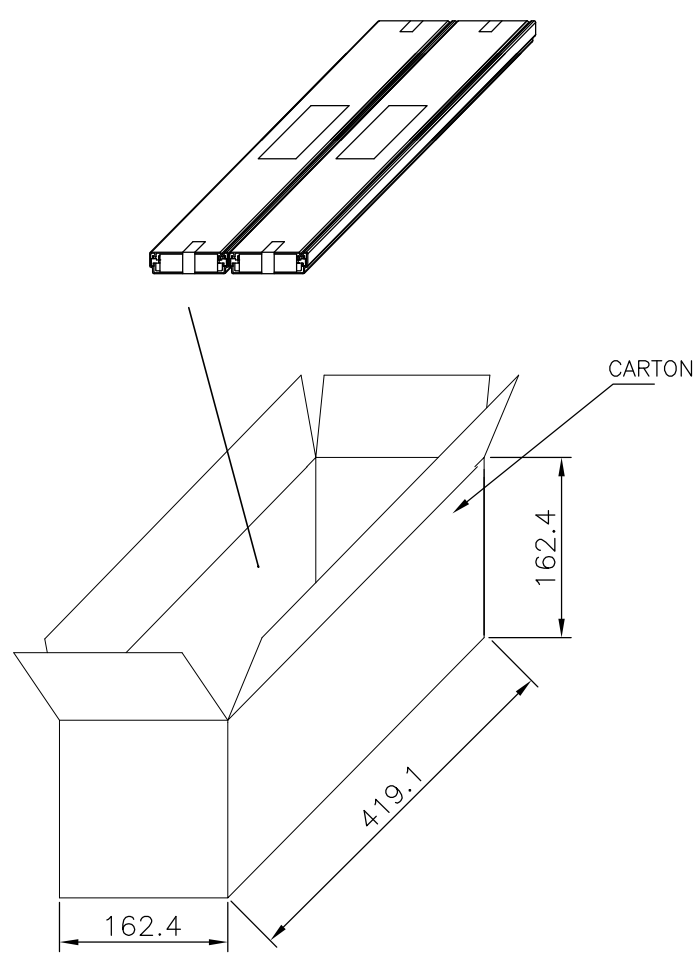
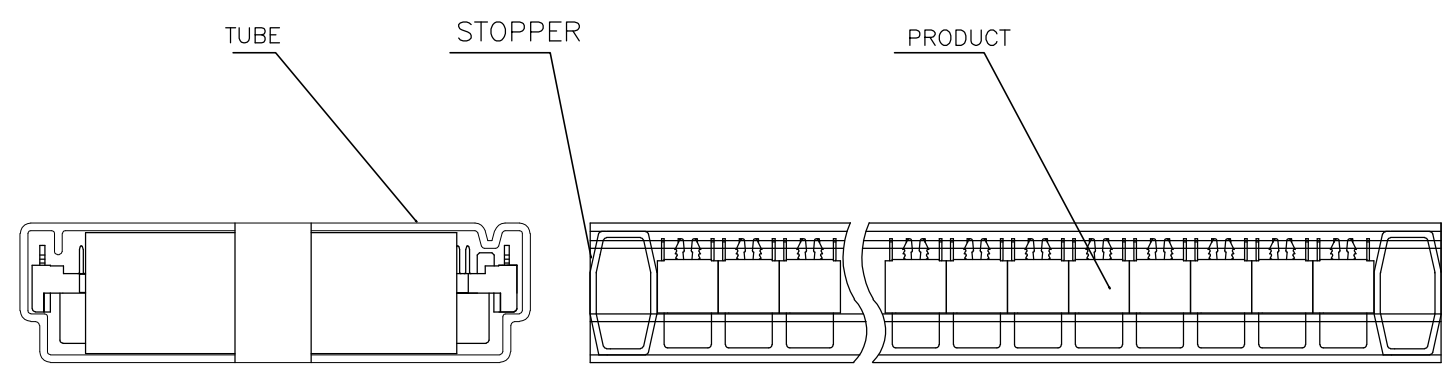
LOC	DIST	REVISIONS			
P	LTR	DESCRIPTION	DATE	DWN	APVD
		SEE SHEET 1	-	-	-



THIS DRAWING IS A CONTROLLED DOCUMENT.		DWN	-		
DIMENSIONS: mm		CHK	-		
TOLERANCES UNLESS OTHERWISE SPECIFIED:		APVD	-		
0 PLC ± -		PRODUCT SPEC	-		
1 PLC ± -		APPLICATION SPEC	-		
2 PLC ± -		WEIGHT	-		
3 PLC ± -		STE TE Connectivity			
4 PLC ± -		NAME			
ANGLES ± -		PLUG ASSEMBLY, VERTICAL BOARD-TO-BOARD, CHAMP .050, SERIES I			
FINISH		SIZE	CAGE CODE	DRAWING NO	RESTRICTED TO
-		A300779		C-1734100	-
MATERIAL		CUSTOMER DRAWING		SCALE	SHEET 2 OF 4
-		-		REV	E

THIS DRAWING IS UNPUBLISHED. RELEASED FOR PUBLICATION
 © COPYRIGHT - By - ALL RIGHTS RESERVED.

LOC	DIST	REVISIONS				
P	LTR	DESCRIPTION	DATE	DWN	APVD	
	-	SEE SHEET 1	-	-	-	

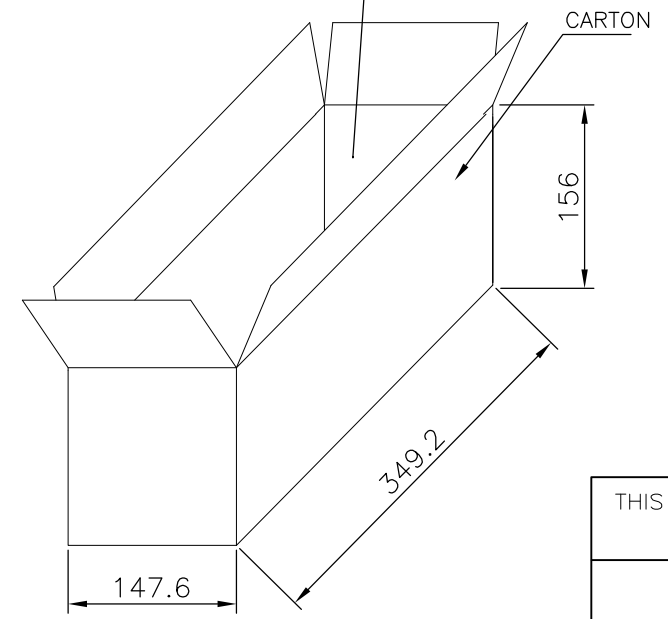
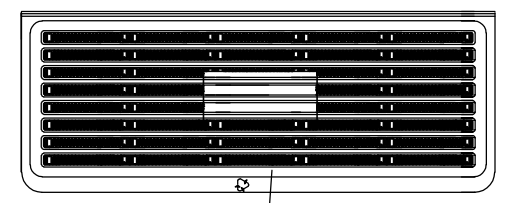
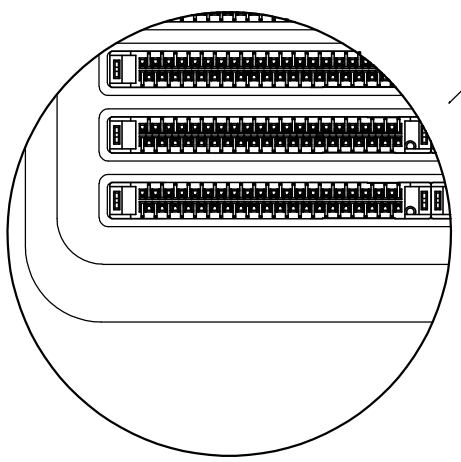
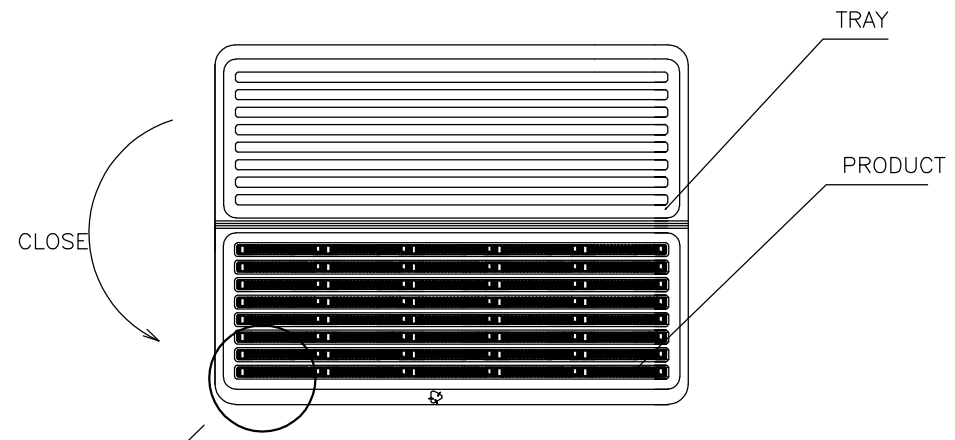


	G.W./CARTON	N.W./CARTON	PCS/TUBE	TUBES/CARTON	QUANTITY/CARTON (PCS)	PART NUMBER	POS.
	4.88	3.42	54	8	432	5-1734100-2	120
						3-1734100-2	
						1-1734100-2	
	7.70	5.58	54	16	864	5-1734100-0	100
						3-1734100-0	
						1-1734100-0	
Ⓣ2 OBSOLETE	5.28	3.80				4-1734100-9	80
			54	16	864	2-1734100-9	
						1734100-9	
	5.38	3.90				4-1734100-8	68
						2-1734100-8	
						1734100-8	
	4.76	3.37	54	16	864	4-1734100-7	60
						2-1734100-7	
						1734100-7	
Ⓣ2 OBSOLETE	4.36	3.11	54	16	864	4-1734100-6	50
						2-1734100-6	
						1734100-6	
	5.72	4.08				5-1734100-9	40
			54	24	1296	3-1734100-9	
						1-1734100-9	
	5.70	4.07				4-1734100-5	30
						2-1734100-5	
						1734100-5	
	4.77	3.50	54	24	1296	4-1734100-4	-
						2-1734100-4	
						1734100-4	
	4.46	3.03	54	24	1296	4-1734100-3	-
						2-1734100-3	
						1734100-3	

THIS DRAWING IS A CONTROLLED DOCUMENT.		DWN	TE Connectivity PLUG ASSEMBLY, VERTICAL BOARD-TO-BOARD, CHAMP .050, SERIES I			
DIMENSIONS: mm		CHK				
TOLERANCES UNLESS OTHERWISE SPECIFIED:		APVD				
0 PLC ± - 1 PLC ± - 2 PLC ± - 3 PLC ± - 4 PLC ± - ANGLES ± - MATERIAL FINISH		NAME				
MATERIAL		PRODUCT SPEC	SIZE	CAGE CODE	DRAWING NO	RESTRICTED TO
		APPLICATION SPEC	A3 00779		C-1734100	
		WEIGHT	CUSTOMER DRAWING		SCALE	SHEET 3 OF 4
					REV	E

THIS DRAWING IS UNPUBLISHED. RELEASED FOR PUBLICATION
 © COPYRIGHT - By - ALL RIGHTS RESERVED.

LOC		DIST		REVISIONS			
P	LTR	DESCRIPTION		DATE	DWN	APVD	
	-	SEE SHEET 1		-	-	-	



G.W./CARTON (KG)	N.W./CARTON (KG)	PCS/TRAY	TRAYS/CARTON	QUANTITY/CARTON (PCS)	PART NUMBER		POS.
					1-1734100-6	3-1734100-6	
2.85	1.97	16	10	160	5-1734100-8	3-1734100-8	180
2.62	1.73	16	10	160	5-1734100-6	3-1734100-6	160
					1-1734100-6		

THIS DRAWING IS A CONTROLLED DOCUMENT.

DIMENSIONS: mm	TOLERANCES UNLESS OTHERWISE SPECIFIED:	DWN	TE Connectivity	
0 PLC ± - 1 PLC ± - 2 PLC ± - 3 PLC ± - 4 PLC ± - ANGLES ± -	FINISH	CHK	NAME	
MATERIAL		APVD	PLUG ASSEMBLY, VERTICAL BOARD-TO-BOARD, CHAMP .050, SERIES I	
		PRODUCT SPEC	SIZE	RESTRICTED TO
		APPLICATION SPEC	A3	
		WEIGHT	CAGE CODE	
			00779	
			DRAWING NO	
			C-1734100	
			SCALE	
			-	
			SHEET	
			4 OF 4	
			REV	
			E	

CUSTOMER DRAWING

Mouser Electronics

Authorized Distributor

Click to View Pricing, Inventory, Delivery & Lifecycle Information:

[TE Connectivity:](#)

[1734100-5](#)