

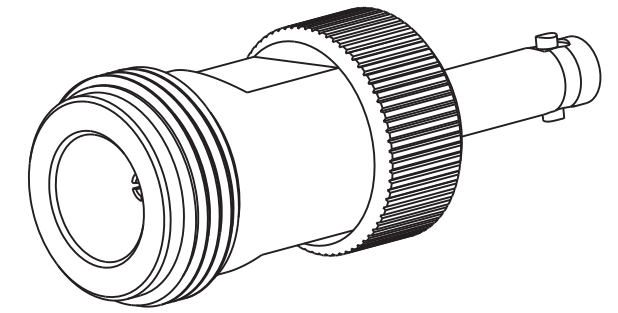
NOTES:

1. MATERIALS AND FINISHES:
 BODY - STAINLESS STEEL, PASSIVATED
 CONTACT - BeCu, GOLD PLATING
 INSULATOR - PTFE, NATURAL
2. ELECTRICAL:
 A. IMPEDANCE: 75 OHM
 B. FREQUENCY RANGE: DC - 4 GHz
 C. RETURN LOSS: -30 dB MIN AT 3 GHz
3. MECHANICAL:
 A. DURABILITY: 500 CYCLES MIN.
 B. TEMPERATURE RANGE: -65° C TO +165° C
4. PACKAGING:
 A. QUANTITY: SINGLE PACK
 B. MARKING: BAG TO BE MARKED
 "AMPHENOL RF, APH-NJ-HDBNCJ AND DATE CODE"

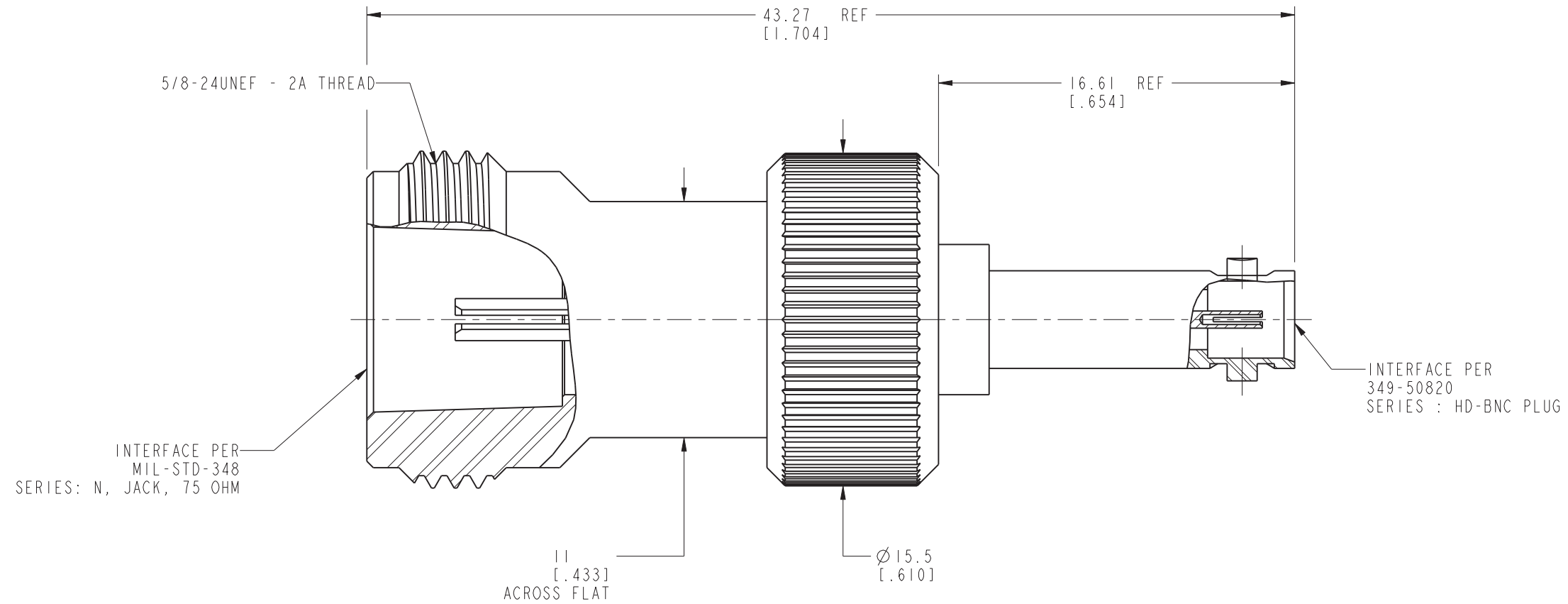
THIRD ANGLE PROJ.

REVISIONS

REV	DESCRIPTION	DATE	ECO	APPR
A	RELEASED TO MFG.	28-Jun-11	48270	TD



SCALE 2.000



CUSTOMER OUTLINE DRAWING

ALL OTHER SHEETS ARE FOR INTERNAL USE ONLY

UNLESS OTHERWISE SPECIFIED, DIMENSIONS ARE IN METRIC AND TOLERANCES ARE:
 <0.5mm ±0.05mm 0.5 - 6mm ±0.1mm 6 - 30mm ±0.2mm 30 - 120mm ±0.3mm ANGLES ±1°

NOTICE - These drawings, specifications, or other data (1) are, and remain the property of Amphenol corp. (2) must be returned upon request; and (3) are confidential and not to be disclosed to any person other than those to whom they are given by Amphenol Corp. the finishing of these drawings, specifications, or other data by Amphenol Corp., or to any other person to anyone for any purpose is not to be regarded by implication or otherwise in any manner licensing, granting rights to permitting such holder or any other person to manufacture, use or sell any product, process or design, patented or otherwise, that may in any way be related to or disclosed by said drawings, specifications, or other data.

MATERIAL SEE NOTES
REFERENCE EAR # 4100 AND
CONFIGURATION LEVEL:
FINISH

DRAWN T. DENG	DATE 28-Jun-11
ENGINEER NISCHIT MV	DATE 26-Jul-10
APPROVED S. HSIEH	DATE 29-Jun-11
CAD FILE	

TITLE ADAPTOR, 75 OHM N JACK TO HD BNC JACK	
SCALE: 4.0:1.0	SHEET 2 OF 2
DWG SIZE B	REV A

Amphenol RF Danbury CT USA, Tainan, Taiwan, Shenzhen, China www.amphenolrf.com	
DRAWING NO. APH-NJ-HDBNCJ	
ITEM NO. APH-NJ-HDBNCJ	
PART NO. APH-NJ-HDBNCJ	

Mouser Electronics

Authorized Distributor

Click to View Pricing, Inventory, Delivery & Lifecycle Information:

[Amphenol:](#)

[APH-NJ-BNCJ](#) [APH-NJ-HDBNCJ](#)