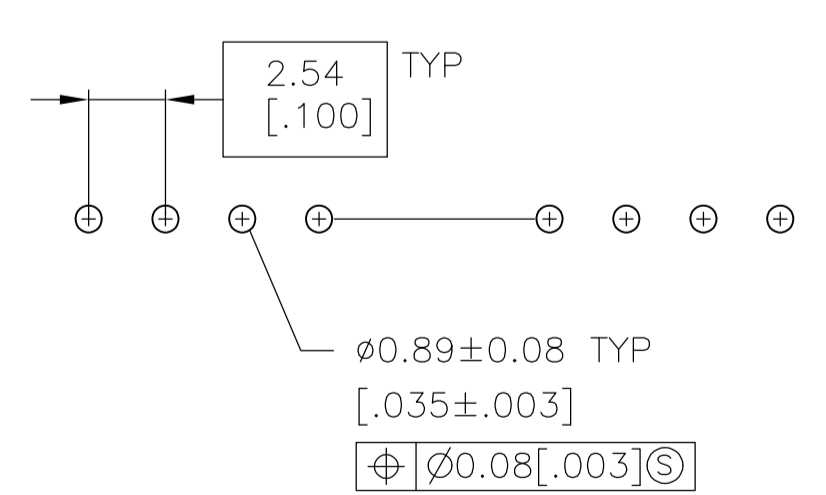
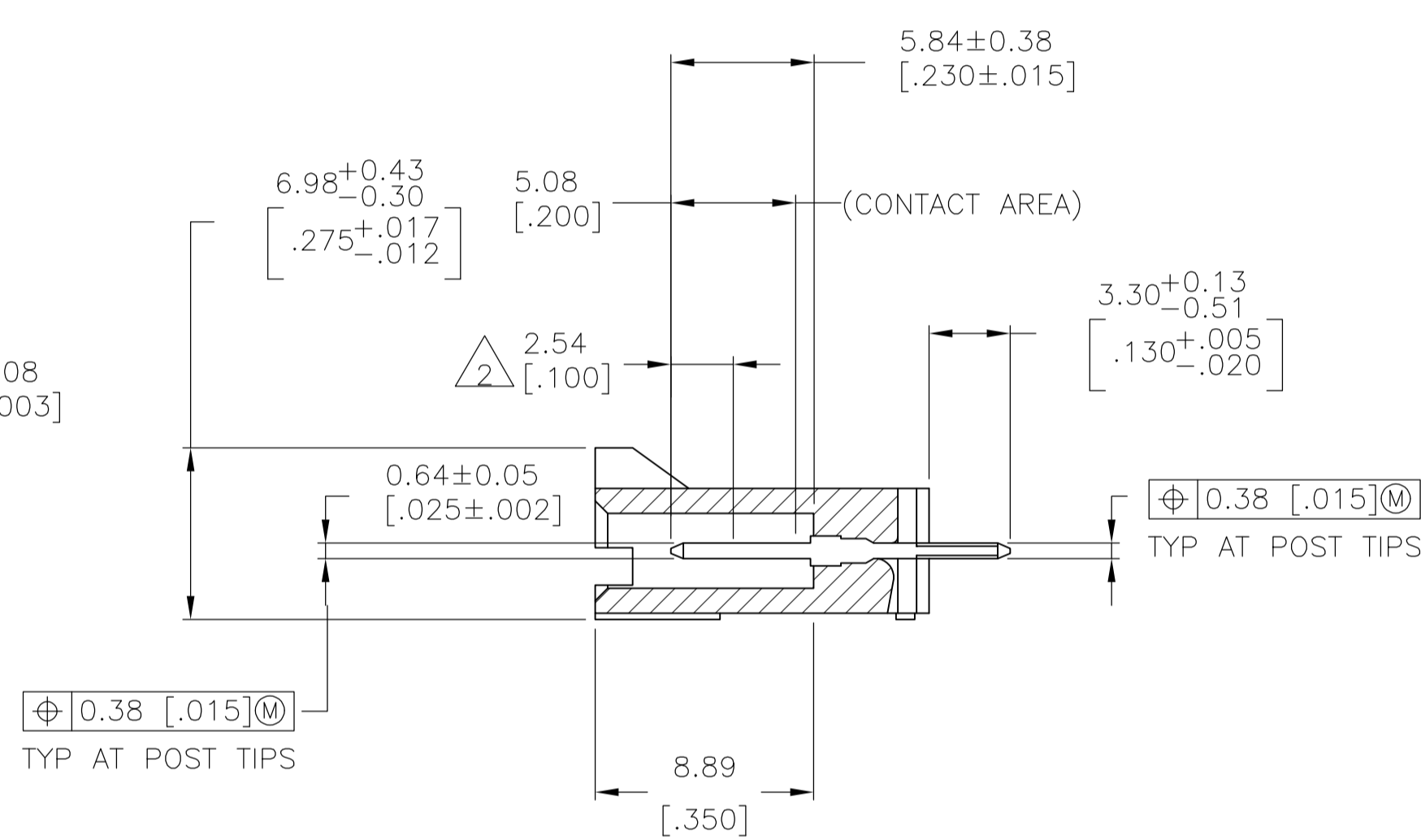
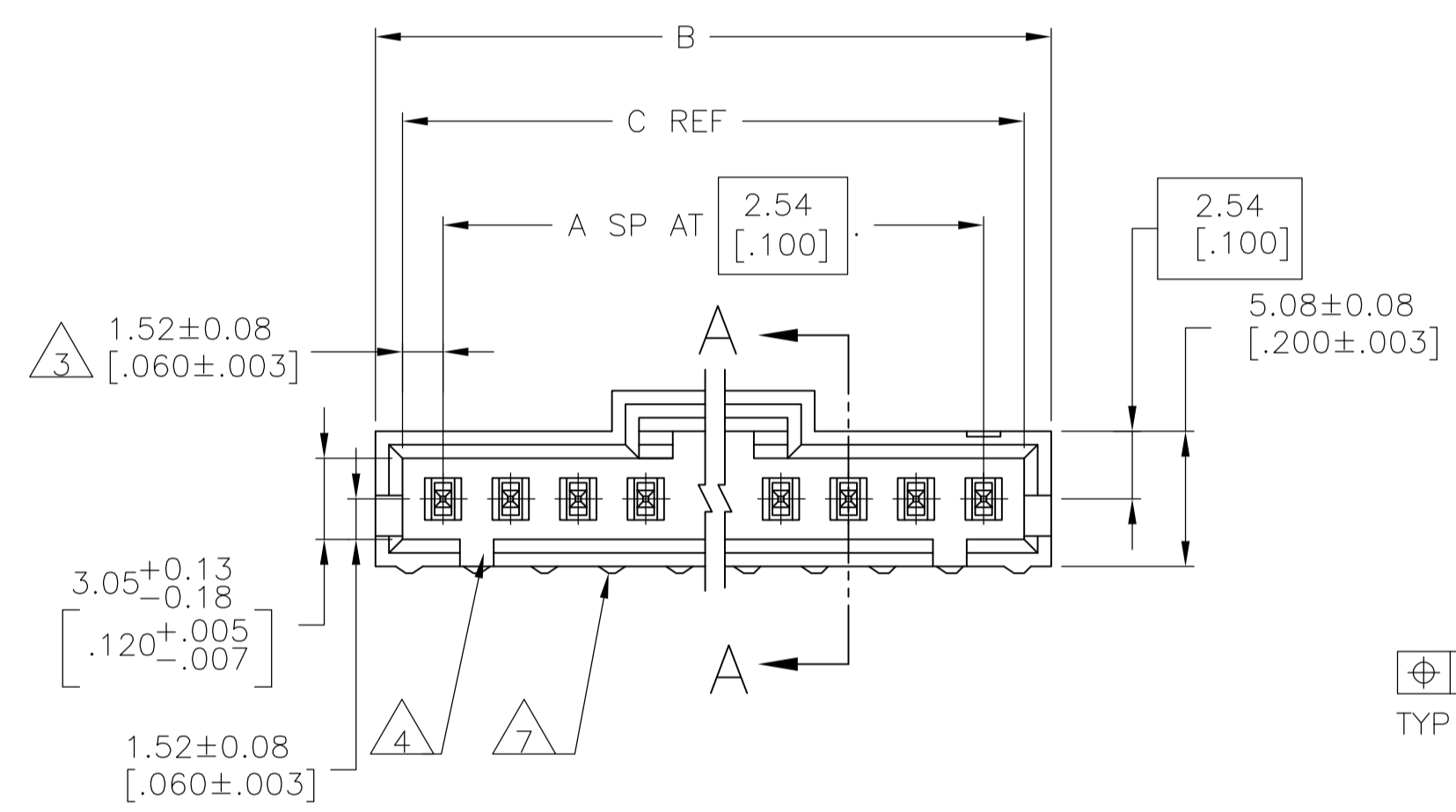
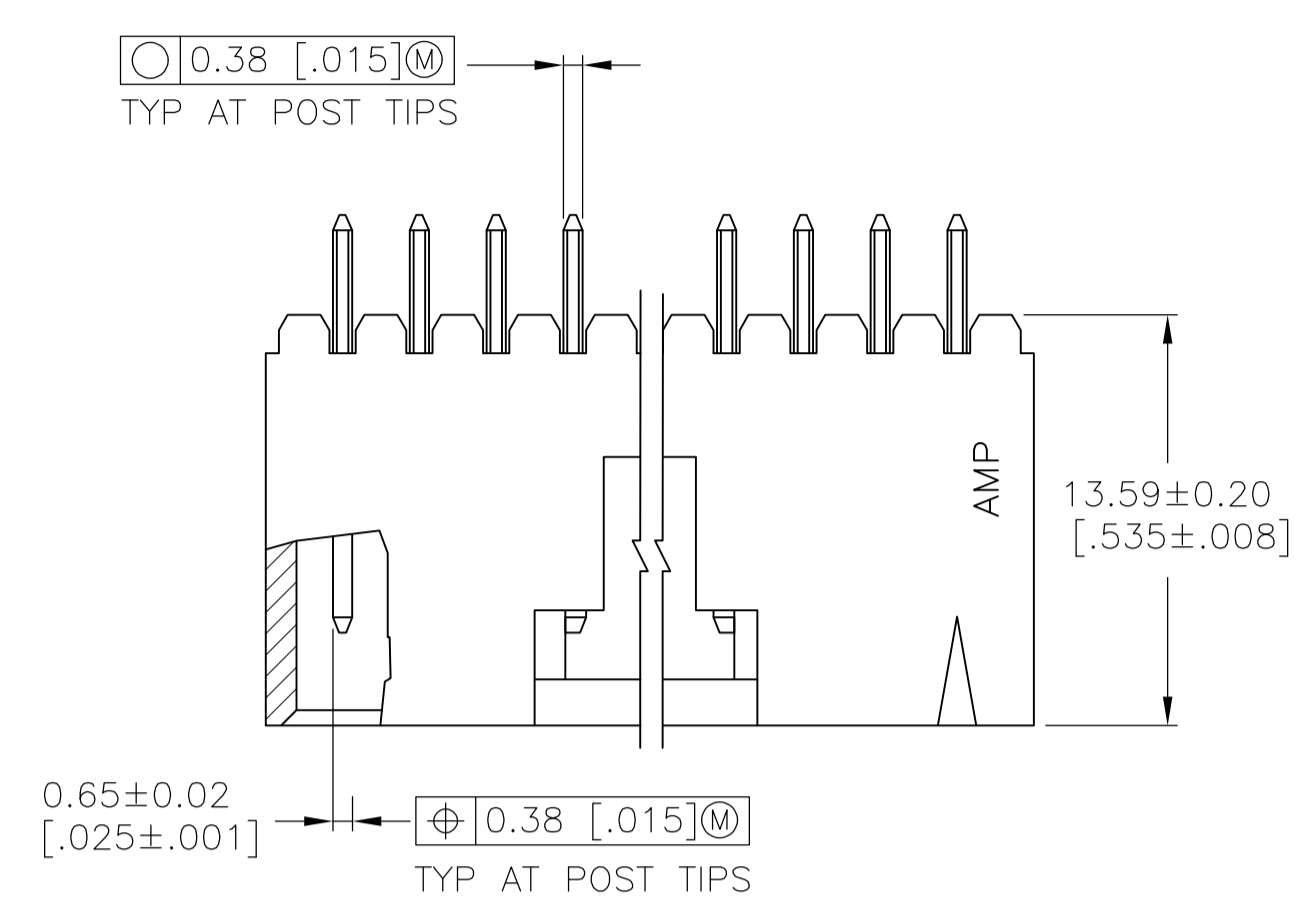


| REVISIONS | | | | | |
|-----------|-----|---------------------------|-----------|-----|------|
| P | LTR | DESCRIPTION | DATE | DMN | APVD |
| U2 | | REVISED PER ECO-11-004587 | 11MAR11 | RK | HMR |
| V | | REVISED PER ECO-17-002209 | 11APR2017 | RS | MM |

- 1 .00076[.000030] GOLD IN THE CONTACT AREA, .00254[.000100] MATTE TIN-LEAD ON REMAINDER OF CONTACT, ALL OVER .00127[.000050] NICKEL.
- 2 POINT OF MEASUREMENT FOR PLATING THICKNESS.
- 3 THE NOTED DIMENSIONS APPLY AT THE INTERSECTION OF THE POST AND THE HOUSING.
- 4 ON ASSEMBLIES WITH FOUR OR MORE POSITIONS, TWO POLARIZATION SLOTS. ON ASSEMBLIES WITH TWO OR THREE POSITIONS, ONE POLARIZATION SLOT.
- 5 .00076[.000030] GOLD IN THE CONTACT AREA, .00254[.000100] MATTE TIN ON REMAINDER OF CONTACT, ALL OVER .00127[.000050] NICKEL.
- 6 HIGH TEMPERATURE CONFIGURATION
- 7 STANDOFFS NOT PRESENT ON UNDERSIDE OF ASSEMBLY
- 8 OBSOLETE PARTS: OBSOLETE CIS STREAMLINING PER D.RENAUD/D.SINISI



RECOMMENDED HOLE LAYOUT

| REMARKS | PLATING | C | B | A | NO. OF POSN | PART NO. |
|---------|---------|---------------|---------------|----|-------------|-------------|
| | | 64.01 [2.520] | 65.91 [2.595] | 24 | 25 | 2-103735-4 |
| | | 61.47 [2.420] | 63.37 [2.495] | 23 | 24 | -2-103735-3 |
| | | 58.93 [2.320] | 60.83 [2.395] | 22 | 23 | -2-103735-2 |
| | | 56.39 [2.220] | 58.29 [2.295] | 21 | 22 | -2-103735-1 |
| | | 53.85 [2.120] | 55.75 [2.195] | 20 | 21 | -2-103735-0 |
| | | 51.31 [2.020] | 53.21 [2.095] | 19 | 20 | 1-103735-9 |
| | | 48.77 [1.920] | 50.67 [1.995] | 18 | 19 | -1-103735-8 |
| | | 46.23 [1.820] | 48.13 [1.895] | 17 | 18 | 1-103735-7 |
| | | 43.69 [1.720] | 45.59 [1.795] | 16 | 17 | 1-103735-6 |
| | | 41.15 [1.620] | 43.05 [1.695] | 15 | 16 | 1-103735-5 |
| | | 38.61 [1.520] | 40.51 [1.595] | 14 | 15 | 1-103735-4 |
| | | 36.07 [1.420] | 37.97 [1.495] | 13 | 14 | 1-103735-3 |
| | | 33.53 [1.320] | 35.43 [1.395] | 12 | 13 | 1-103735-2 |
| | | 30.99 [1.220] | 32.89 [1.295] | 11 | 12 | 1-103735-1 |
| | | 28.45 [1.120] | 30.35 [1.195] | 10 | 11 | 1-103735-0 |
| | | 25.91 [1.020] | 27.81 [1.095] | 9 | 10 | 103735-9 |
| | | 23.37 [0.920] | 25.27 [0.995] | 8 | 9 | 103735-8 |
| | | 20.83 [0.820] | 22.73 [0.895] | 7 | 8 | 103735-7 |
| | | 18.29 [0.720] | 20.19 [0.795] | 6 | 7 | 103735-6 |
| | | 15.75 [0.620] | 17.65 [0.695] | 5 | 6 | 103735-5 |
| | | 13.21 [0.520] | 15.11 [0.595] | 4 | 5 | 103735-4 |
| | | 10.67 [0.420] | 12.57 [0.495] | 3 | 4 | 103735-3 |
| | | 8.13 [0.320] | 10.03 [0.395] | 2 | 3 | 103735-2 |
| | | 5.59 [0.220] | 7.49 [0.295] | 1 | 2 | 103735-1 |

THIS DRAWING IS A CONTROLLED DOCUMENT.

DTN: S. SHUEY 3-5-91
 CHK: L. CASTAGNA 3-27-91
 APVD: L. CASTAGNA 3-27-91

TE Connectivity

NAME: HDR ASSY, VERT, SINGLE ROW
 2.54[.100] @, 0.64[.025] SQ POST,
 WITH PLZN & LATCHING, AMPMODU MTE

PRODUCT SPEC: -
 APPLICATION SPEC: -
 SIZE: A1
 CAGE CODE: 00779
 DRAWING NO: 103735

MATERIAL: HOUSING: PLZ
 PLZ REMAIND: SPZ
 SPZ: GOLD-PLAC
 CONTACTS: BRASS


FINISH: SEE TABLE

WEIGHT: -
 CUSTOMER DRAWING

SCALE: 4:1
 SHEET: 1 OF 2
 REV: V

| REVISIONS | | | | | |
|-----------|-----|-------------|------|-----|------|
| P | LYR | DESCRIPTION | DATE | DMN | APVD |
| | | SEE SHEET 1 | - | - | - |

| | | | | | | | | | |
|---------------|----------|---------------|---------------|---------------|------------------|------------------|----|-------------|-------------|
| | | \triangle_6 | \triangle_7 | \triangle_5 | 64.01 [2.520] | 65.91 [2.595] | 24 | 25 | 7-103735-4 |
| \triangle_8 | OBSOLETE | \triangle_6 | \triangle_7 | \triangle_5 | 61.47 [2.420] | 63.37 [2.495] | 23 | 24 | -7-103735-3 |
| \triangle_8 | OBSOLETE | \triangle_6 | \triangle_7 | \triangle_5 | 58.93 [2.320] | 60.83 [2.395] | 22 | 23 | -7-103735-2 |
| \triangle_8 | OBSOLETE | \triangle_6 | \triangle_7 | \triangle_5 | 56.39 [2.220] | 58.29 [2.295] | 21 | 22 | -7-103735-1 |
| \triangle_8 | OBSOLETE | \triangle_6 | \triangle_7 | \triangle_5 | 53.85 [2.120] | 55.75 [2.195] | 20 | 21 | -7-103735-0 |
| | | \triangle_6 | \triangle_7 | \triangle_5 | 51.31 [2.020] | 53.21 [2.095] | 19 | 20 | 6-103735-9 |
| \triangle_8 | OBSOLETE | \triangle_6 | \triangle_7 | \triangle_5 | 48.77 [1.920] | 50.67 [1.995] | 18 | 19 | -6-103735-8 |
| \triangle_8 | OBSOLETE | \triangle_6 | \triangle_7 | \triangle_5 | 46.23 [1.820] | 48.13 [1.895] | 17 | 18 | -6-103735-7 |
| | | \triangle_6 | \triangle_7 | \triangle_5 | 43.69 [1.720] | 45.59 [1.795] | 16 | 17 | 6-103735-6 |
| | | \triangle_6 | \triangle_7 | \triangle_5 | 41.15 [1.620] | 43.05 [1.695] | 15 | 16 | 6-103735-5 |
| | | \triangle_6 | \triangle_7 | \triangle_5 | 38.61 [1.520] | 40.51 [1.595] | 14 | 15 | 6-103735-4 |
| | | \triangle_6 | \triangle_7 | \triangle_5 | 36.07 [1.420] | 37.97 [1.495] | 13 | 14 | 6-103735-3 |
| \triangle_8 | OBSOLETE | \triangle_6 | \triangle_7 | \triangle_5 | 33.53 [1.320] | 35.43 [1.395] | 12 | 13 | -6-103735-2 |
| | | \triangle_6 | \triangle_7 | \triangle_5 | 30.99 [1.220] | 32.89 [1.295] | 11 | 12 | 6-103735-1 |
| | | \triangle_6 | \triangle_7 | \triangle_5 | 28.45 [1.120] | 30.35 [1.195] | 10 | 11 | 6-103735-0 |
| | | \triangle_6 | \triangle_7 | \triangle_5 | 25.91 [1.020] | 27.81 [1.095] | 9 | 10 | 5-103735-9 |
| | | \triangle_6 | \triangle_7 | \triangle_5 | 23.37 [.920] | 25.27 [0.995] | 8 | 9 | 5-103735-8 |
| | | \triangle_6 | \triangle_7 | \triangle_5 | 20.83 [.820] | 22.73 [.895] | 7 | 8 | 5-103735-7 |
| | | \triangle_6 | \triangle_7 | \triangle_5 | 18.29 [.720] | 20.19 [.795] | 6 | 7 | 5-103735-6 |
| | | \triangle_6 | \triangle_7 | \triangle_5 | 15.75 [.620] | 17.65 [.695] | 5 | 6 | 5-103735-5 |
| | | \triangle_6 | \triangle_7 | \triangle_5 | 13.21 [.520] | 15.11 [.595] | 4 | 5 | 5-103735-4 |
| | | \triangle_6 | \triangle_7 | \triangle_5 | 10.67 [.420] | 12.57 [.495] | 3 | 4 | 5-103735-3 |
| | | \triangle_6 | \triangle_7 | \triangle_5 | 8.13 [.320] | 10.03 [.395] | 2 | 3 | 5-103735-2 |
| | | \triangle_6 | \triangle_7 | \triangle_5 | 5.59 [.220] | 7.49 [.295] | 1 | 2 | 5-103735-1 |
| | REMARKS | | PLATING | | C | B | A | NO. OF POSN | PART NO. |

| | | | |
|--|--|--------------------------------|---|
| THIS DRAWING IS A CONTROLLED DOCUMENT. | | DMN S. SHUEY 3-5-91 |  TE Connectivity |
| DIMENSIONS: mm [INCHES] | | CHK L. CASTAGNA 3-27-91 | |
| TOLERANCES UNLESS OTHERWISE SPECIFIED: | | APVD L. CASTAGNA 3-27-91 | NAME |
| 0. PLC ± - 1. PLC ± - 2. PLC ± - 3. PLC ± - 4. PLC ± - ANGLES ± - | | PRODUCT SPEC | HDR ASSY, VERT, SINGLE ROW 2.54[.100] @ 0.64[.025] SQ POST, WITH PLZN & LATCHING, AMPMODU MTE |
| MATERIAL: HOUSING: TAMP REMOVAL (UP) COLOUR-BLACK CONTACTS: BRASS | | FINISH: SEE TABLE | APPLICATION SPEC |
| WEIGHT | | SIZE: A1 | RESTRICTED TO |
| CUSTOMER DRAWING | | SCALE: 4:1 | SHEET 2 OF 2 |
| | | DRAWING NO: 00779 | REV V |
| | | DRAWING NO: 103735 | |

Mouser Electronics

Authorized Distributor

Click to View Pricing, Inventory, Delivery & Lifecycle Information:

[TE Connectivity:](#)

[5-103735-9](#)