

SERIES 02

FEATURES

- Rapid, Easy Connections
- Hex Nut for Adjusting Tension
- Choices of Sizes and Styles

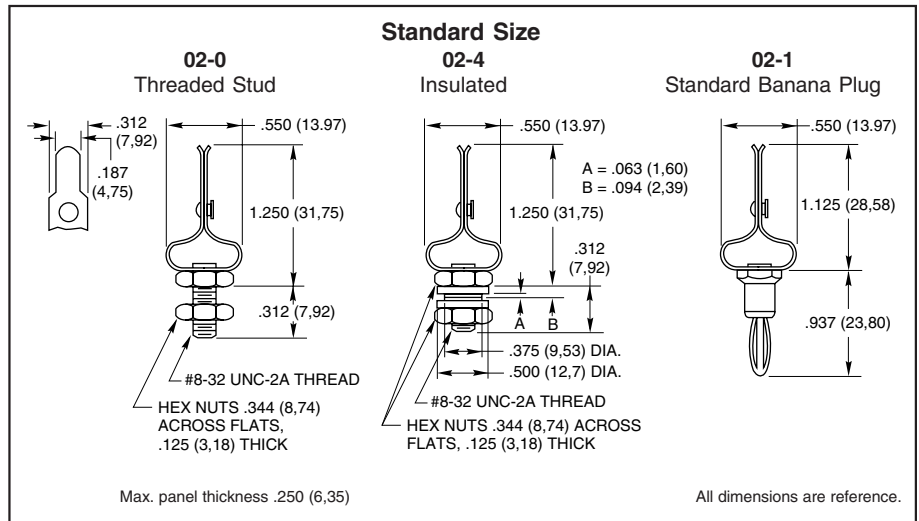
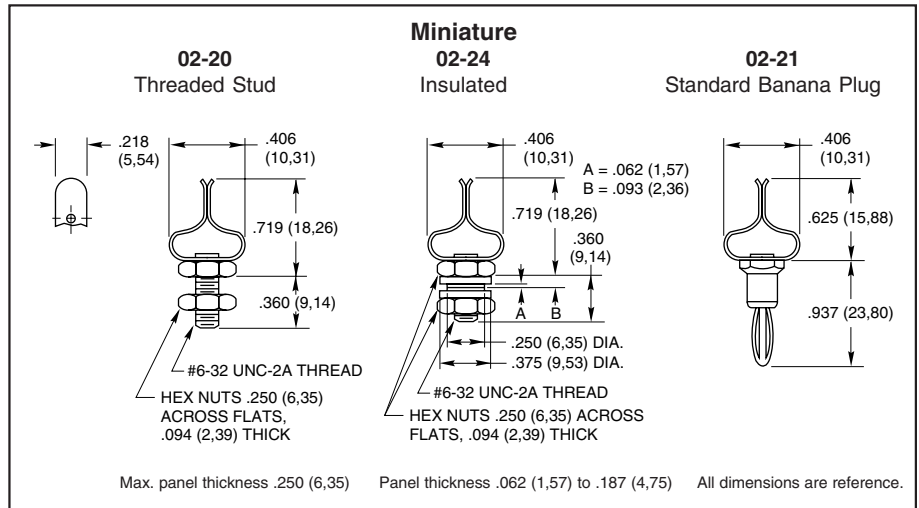


Ultra-Miniature

Miniature

Standard Size

DIMENSIONS In Inches (and millimeters)



STANDARD OPTIONS

Standard Size Threaded Stud Clip can be made of Stainless Steel or Inconel X material.
Not available through Distributors.

SPECIFICATIONS

Materials and Finishes
Studs: Nickel-plated steel except for 02-41 and 02-42 which are nickel-plated brass
Rivets and Nuts: Nickel-plated brass
Spring Clips: Nickel-plated brass except for 02-41 and 02-42 which are nickel-plated beryllium copper
Insulators: Thermoset plastic

ORDERING INFORMATION

Order using part numbers shown in dimensions.
Available from your local Grayhill Distributor.
For prices and discounts, contact a local Sales Office, an authorized local Distributor or Grayhill.

Mouser Electronics

Authorized Distributor

Click to View Pricing, Inventory, Delivery & Lifecycle Information:

Grayhill:

[02-0](#) [02-1](#) [02-20](#) [02-4](#) [02-60](#) [02-24](#) [02-21](#) [02-41](#) [02-42](#)