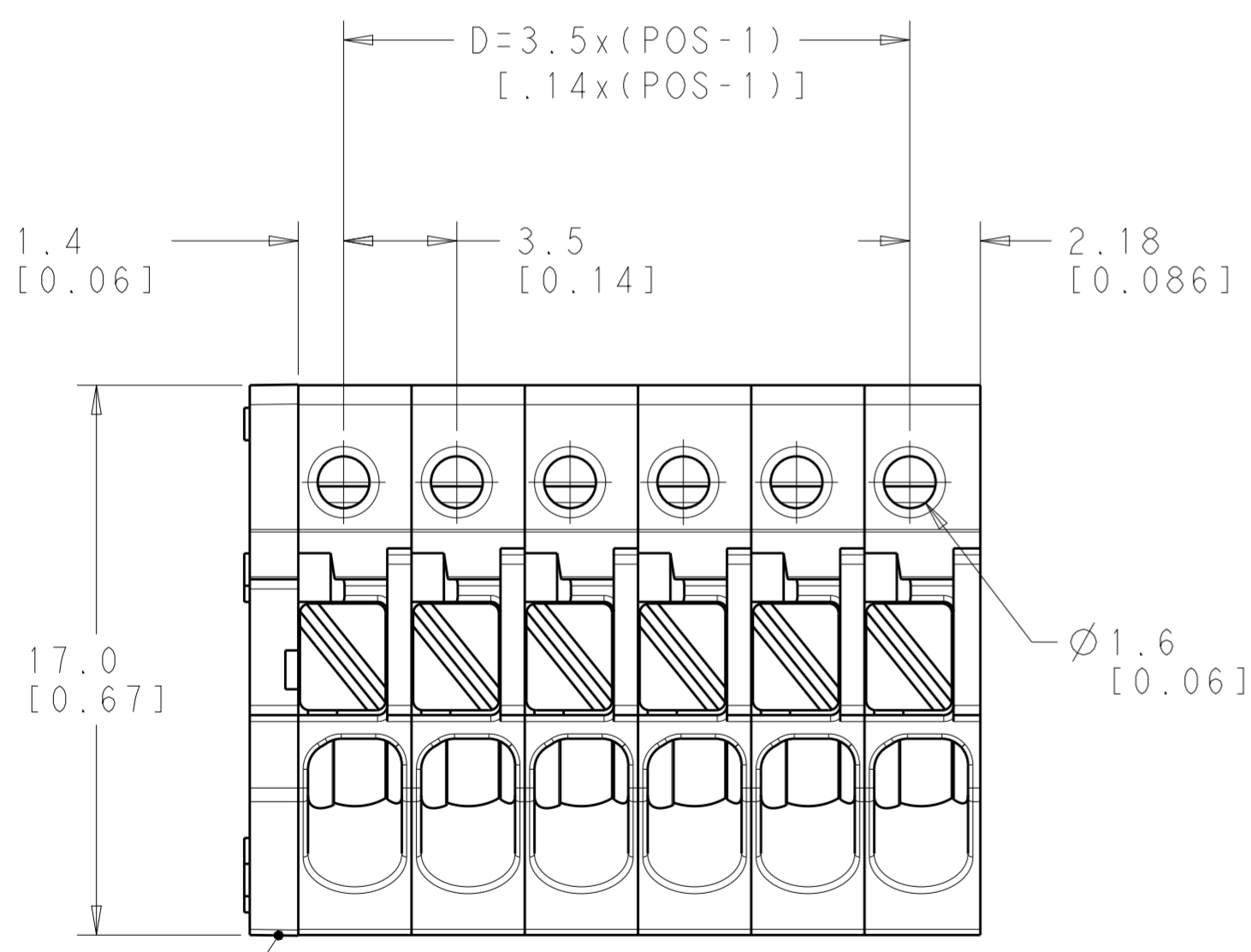
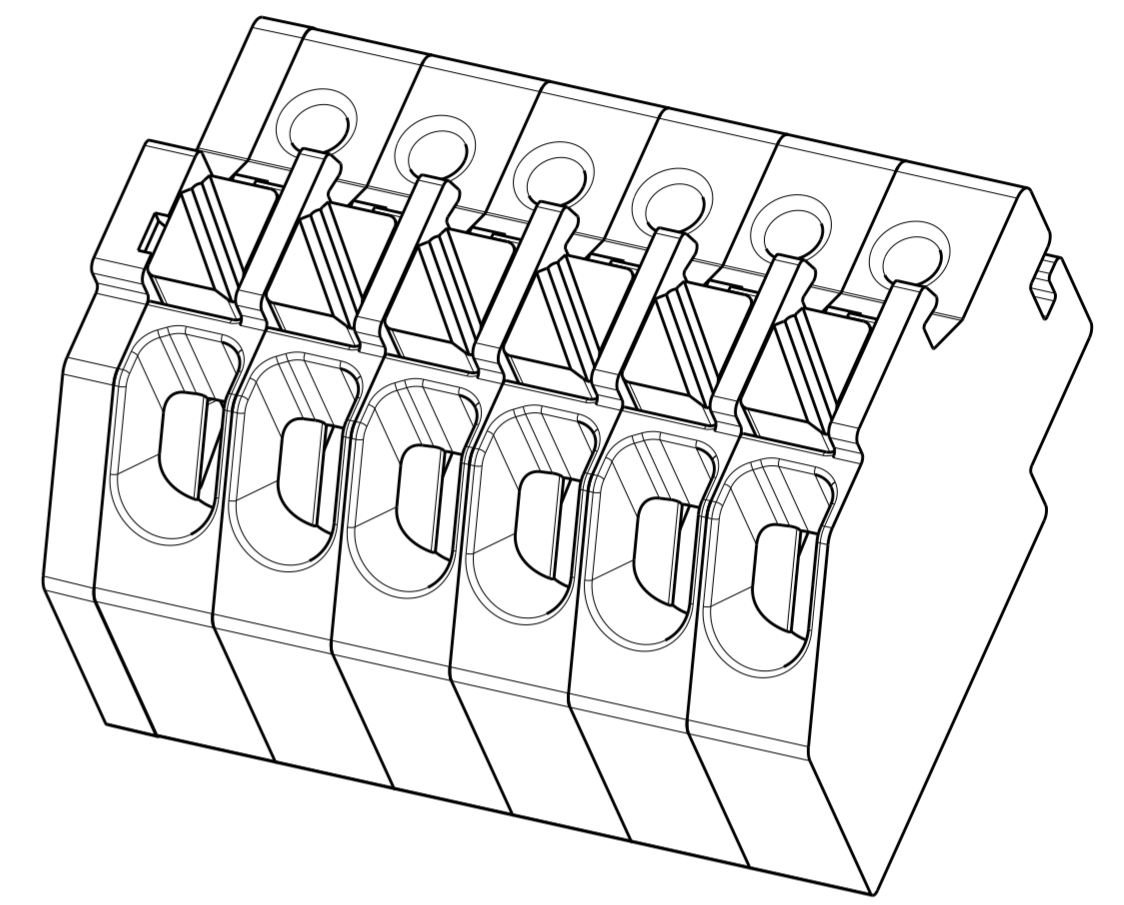
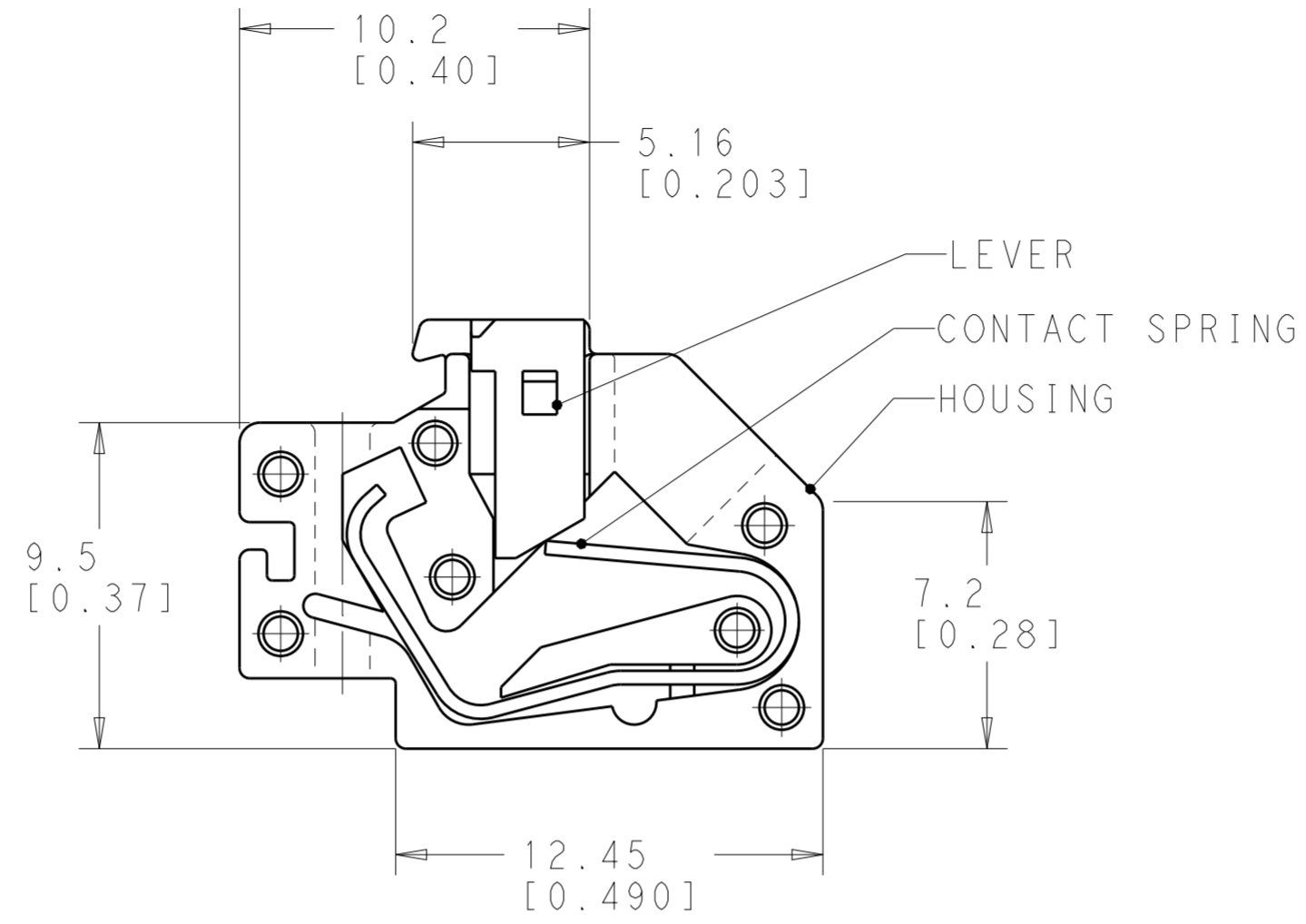
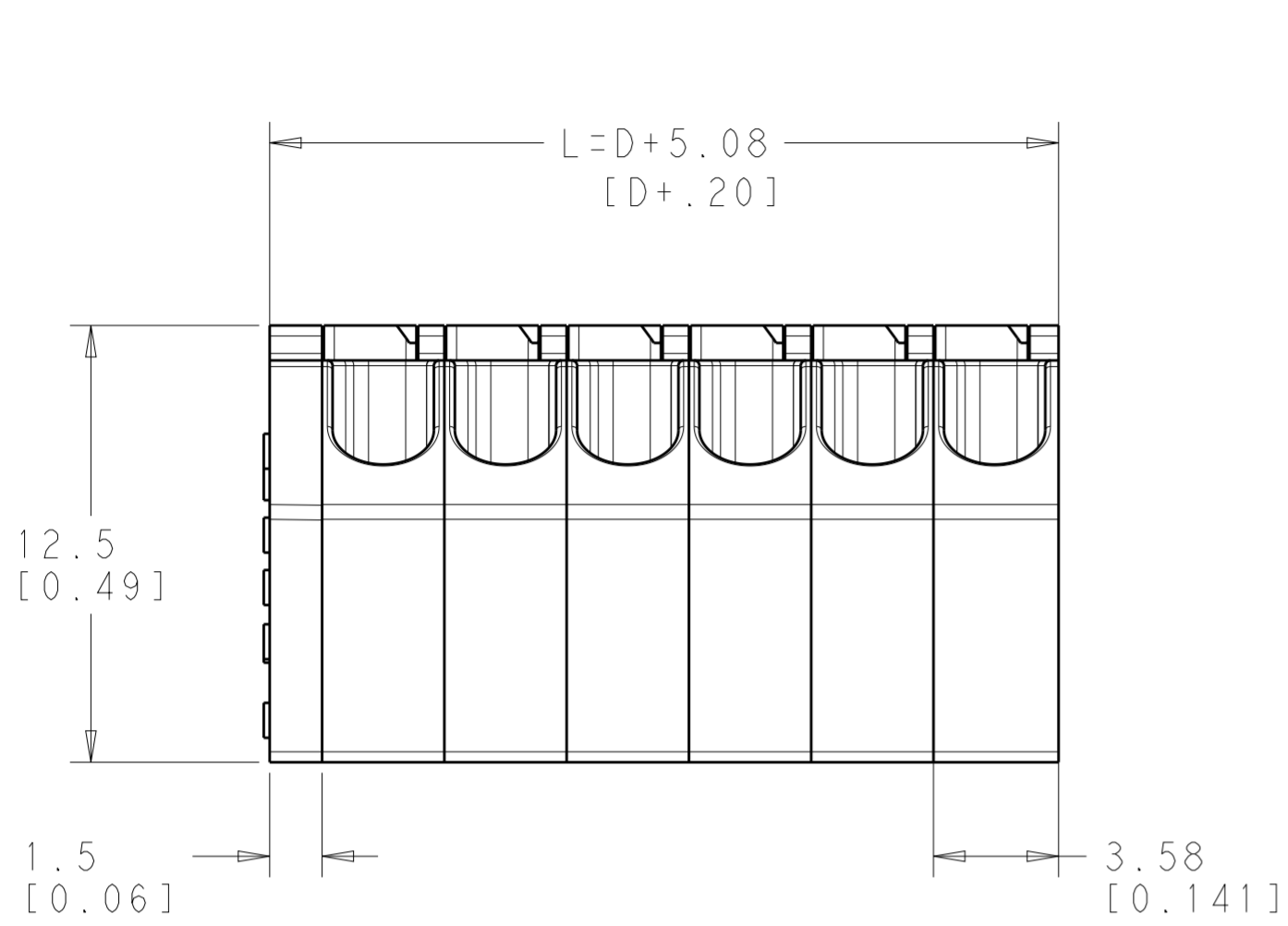


THIS DRAWING IS UNPUBLISHED. RELEASED FOR PUBLICATION 2011
 © COPYRIGHT 2011 ALL RIGHTS RESERVED.

LOC	DIST	REVISIONS					
FT	0	P	LTR	DESCRIPTION	DATE	DWN	APVD
		A2		REVISED PER ECO-14-012607	28AUG2014	NK	MM



NOTE

MATERIALS:
 HOUSING-POLYAMIDE, COLOR-GREEN
 COVER-POLYAMIDE, COLOR-GREEN
 LEVER-POLYAMIDE, COLOR-ORANGE
 SPRING-STAINLESS STEEL-TIN PLATED

MECHANICAL
 INSERTION FORCE-2.5 N/POLE
 WITHDRAW FORCE-4.5 N/POLE
 STRIP LENGTH-8.5 - 10 MM
 OPERATING TEMPERATURE--40°C TO +110°C

ELECTRICAL
 WIRE RANGE- 20 TO 16 AWG, SOLID OR STRANDED
 VOLTAGE RATING- 150 VOLTS
 CURRENT RATING-2 AMP
 CONTACT RESISTANCE-15 MILLOHM MAX
 INSULATION RESISTANCE-10⁹ OHMS MIN (500V DC)

- 6 AS SHOWN

24.50	29.58	8	1986716-8
21.00	26.08	7	1986716-7
17.50	22.58	6	1986716-6
14.00	19.08	5	1986716-5
10.50	15.58	4	1986716-4
7.00	12.08	3	1986716-3
3.50	8.58	2	1986716-2
DIM D	DIM L	POS	PART NO

COVER

THIS DRAWING IS A CONTROLLED DOCUMENT.

DWN YASHKUMAR 09NOV2011
 CHK SARVER MICHAEL 09NOV2011
 APVD SARVER MICHAEL 09NOV2011

STE TE Connectivity

NAME: SPRING TYPE FLUSH MT PLUG CONNECTOR 02 -8 POLES, PITCH 3.50mm

SIZE: A2 CAGE CODE: C-1986716 DRAWING NO: A200779

RESTRICTED TO: -

MATERIAL: - DIMENSIONS: MM [INCH] TOLERANCES UNLESS OTHERWISE SPECIFIED: 0 PLC ±, 1 PLC ±0.20[.008], 2 PLC ±0.20[.008], 3 PLC ±, 4 PLC ±, ANGLES ±1°, FINISH: -

PRODUCT SPEC: - APPLICATION SPEC: - WEIGHT: -

CUSTOMER DRAWING SCALE: 5:1 SHEET 1 OF 1 REV A2