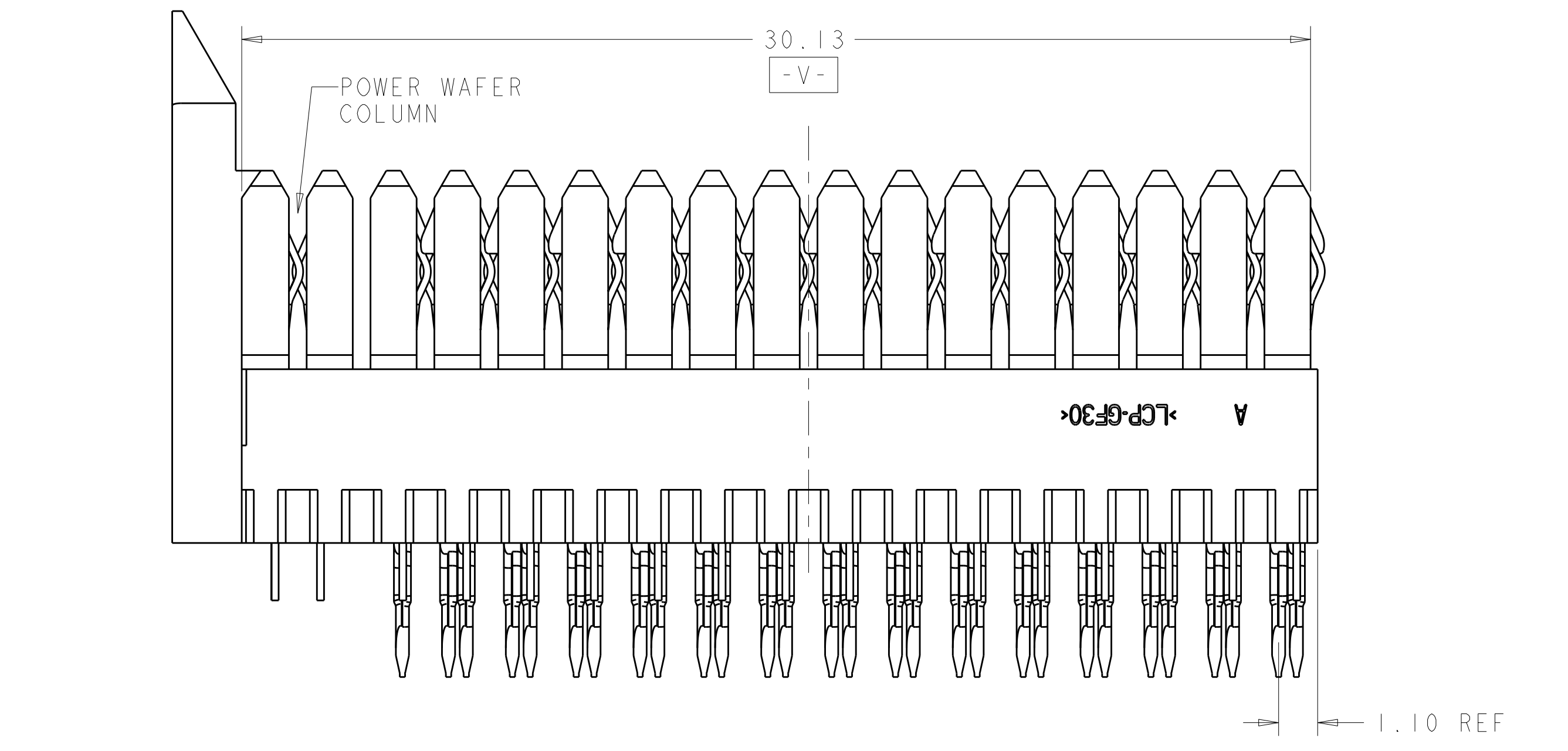
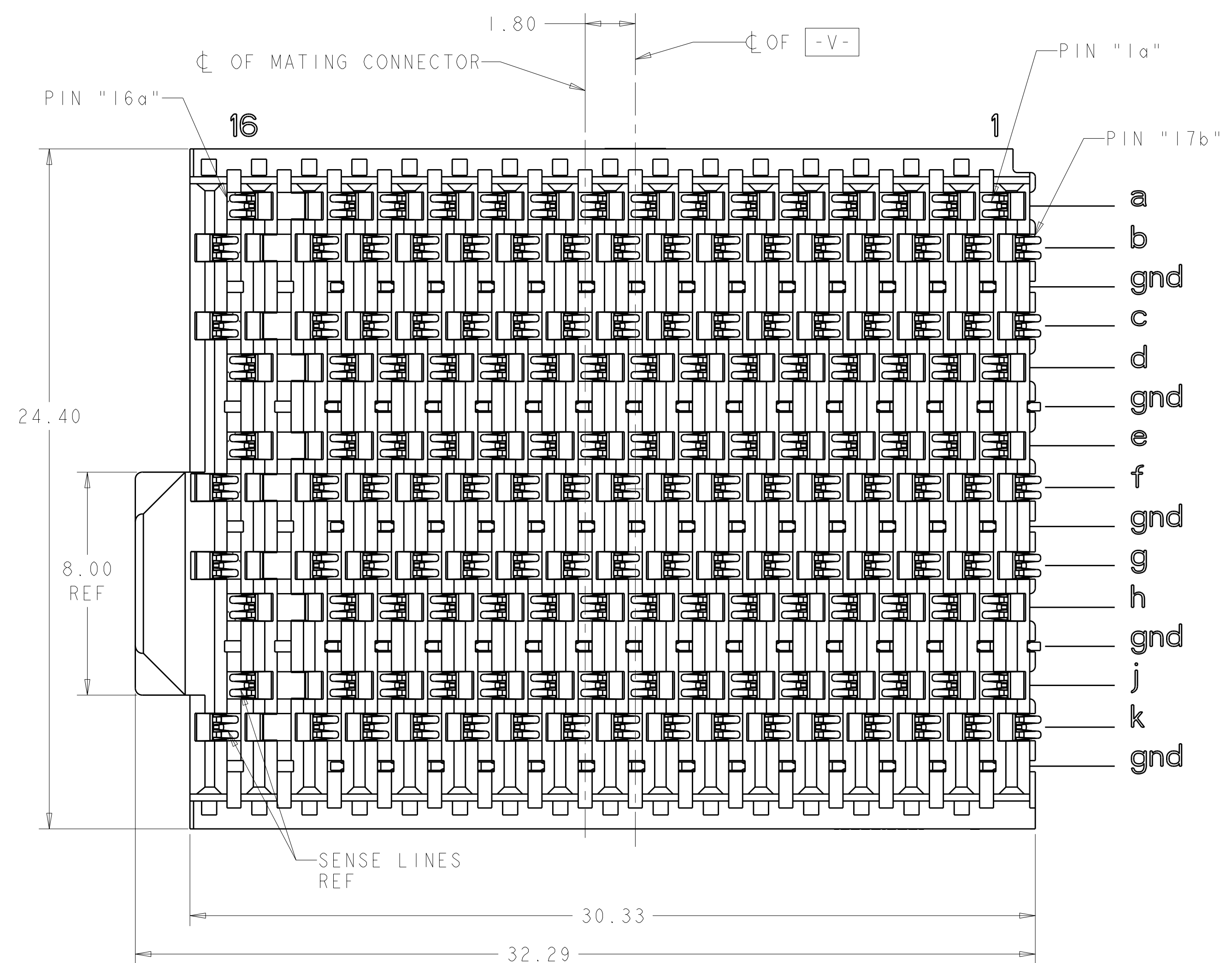
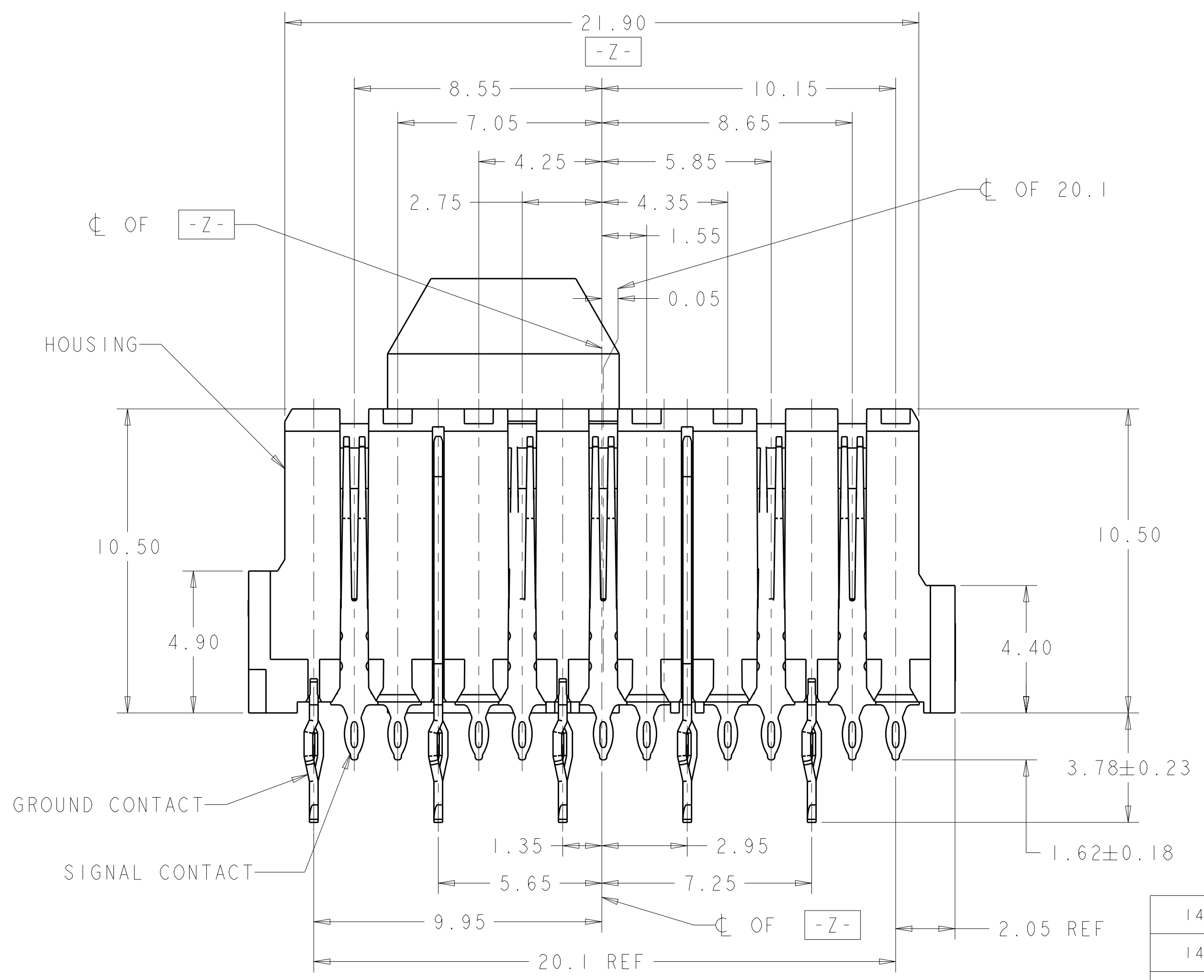


LOC	DIST	REV	DATE	BY	APPD
AD	00	B	25AUG2011	RG	AS
		BI	14MAR2012	BC	AS



- △ HOUSING: LCP, UL94V-0, BLACK. CONTACT: PHOSPHOR BRONZE.
- △ 1.27µm GOLD PER ASTM B 488 IN CONTACT AREA, 1.27µm MIN TIN-LEAD ON COMPLIANT PORTION OF PCB TAIL, BOTH OVER 3.81µm MIN NICKEL PER SAE AMS-QQ-N-290 ALL OVER.
- △ 1.27 µm GOLD PER ASTM B 488 IN CONTACT AREA , 0.508µm MIN MATTE TIN PER ASTM B 545 ON COMPLIANT PORTION OF PCB TAIL, BOTH OVER 3.81µm MIN NICKEL PER SAE AMS-QQ-N-290 ALL OVER.
- △ POWER PIN PAIRS INDICATED ARE COMMONED AT MATING.



1410479-2	△	1410480-2
1410479-1	△	1410480-1
MATES WITH	FINISH	PART NO

THIS DRAWING IS A CONTROLLED DOCUMENT.

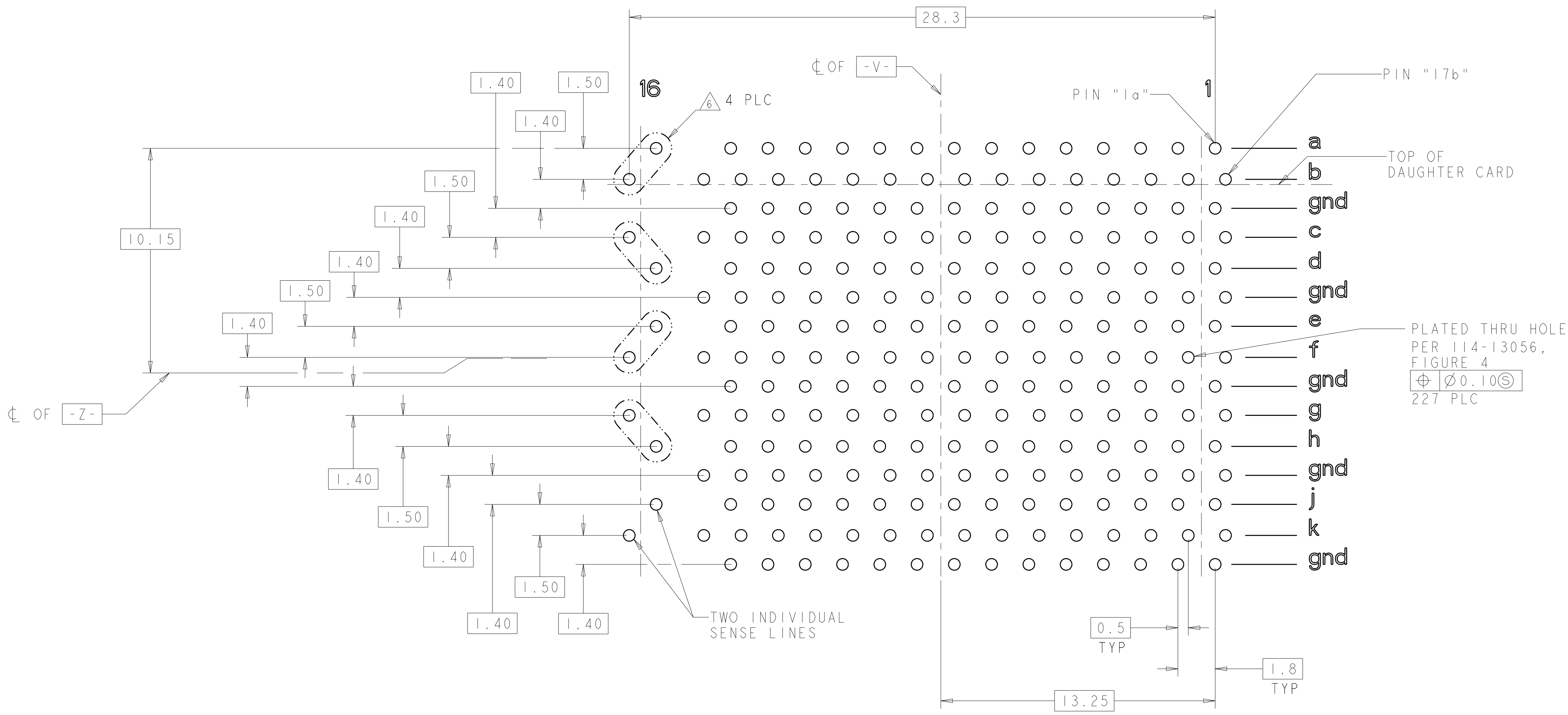
DATE: 28 JUL 2005
 CHK: G. GRIFFITH
 APPD: G. GRIFFITH

NAME: VERTICAL RECEPTACLE ASSEMBLY, RIGHT END, FULL, 25.4mm, POWER COMBINATION
 PRODUCT SPEC: 108-2072
 APPLICATION SPEC: 114-13056

SIZE: A100779
 CAGE CODE: C=1410480

SCALE: 5:1 SHEET 1 OF 2 REV B1

LOC	DIST	REV	DATE	BY	APPD
AD	00				
REVISIONS					
		1	SEE SHEET 1		



PC BOARD LAYOUT
VIEWED FROM CONNECTOR SIDE

PLATED THRU HOLE
PER 114-13056,
FIGURE 4
 $\varnothing 0.10$
227 PLC

THIS DRAWING IS A CONTROLLED DOCUMENT.		DWN HAMNER	28JUL2005	STE TE Connectivity
DIMENSIONS: mm		CHK G. GRIFFITH	28JUL2005	
TOLERANCES UNLESS OTHERWISE SPECIFIED:		APVD G. GRIFFITH	28JUL2005	NAME VERTICAL RECEPTACLE ASSEMBLY, RIGHT END, FULL, 25.4mm, POWER COMBINATION MultiGig RT-1, BACKPLANE CONNECTOR
9 PLC ± 3 PLC ±0.5 5 PLC ±0.01 4 PLC ±		PRODUCT SPEC 108-2072	APPLICATION SPEC	
MATERIAL		FINISH	±1°	SIZE CAGE CODE DRAWING NO A1100779C=1410480
CUSTOMER DRAWING		SCALE	8:1	SHEET 2 OF 2

Mouser Electronics

Authorized Distributor

Click to View Pricing, Inventory, Delivery & Lifecycle Information:

[TE Connectivity:](#)

[1410480-1](#)