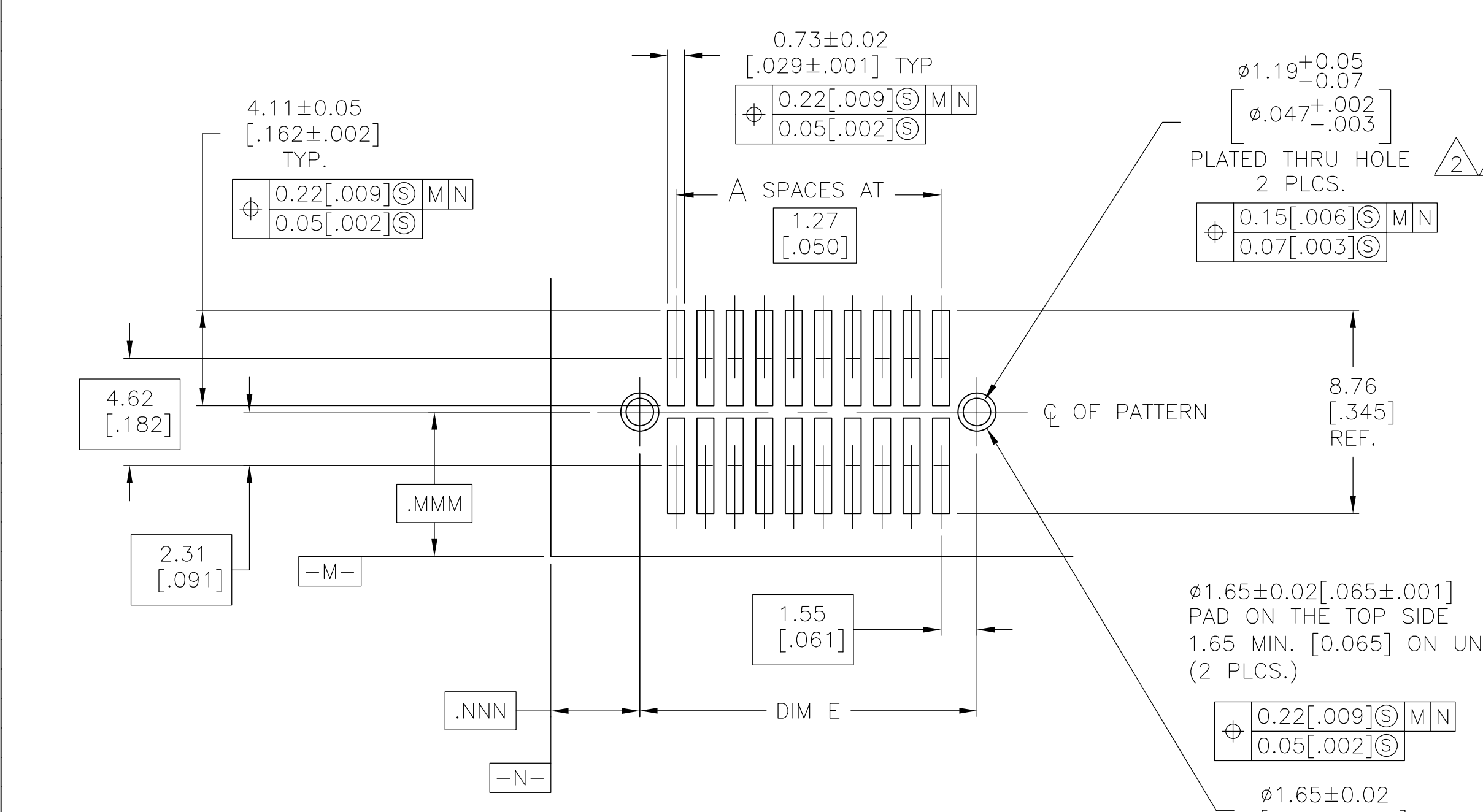
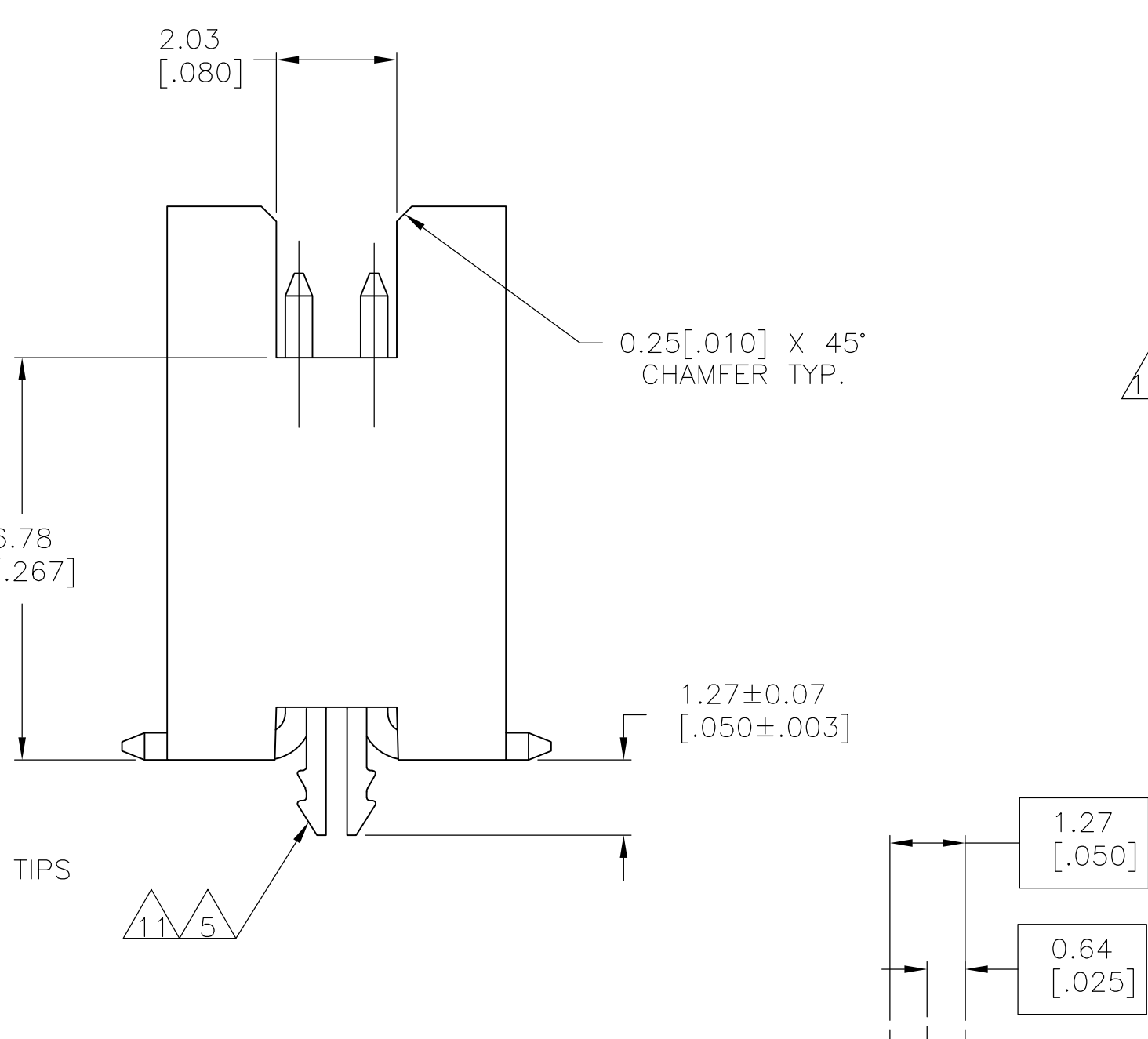
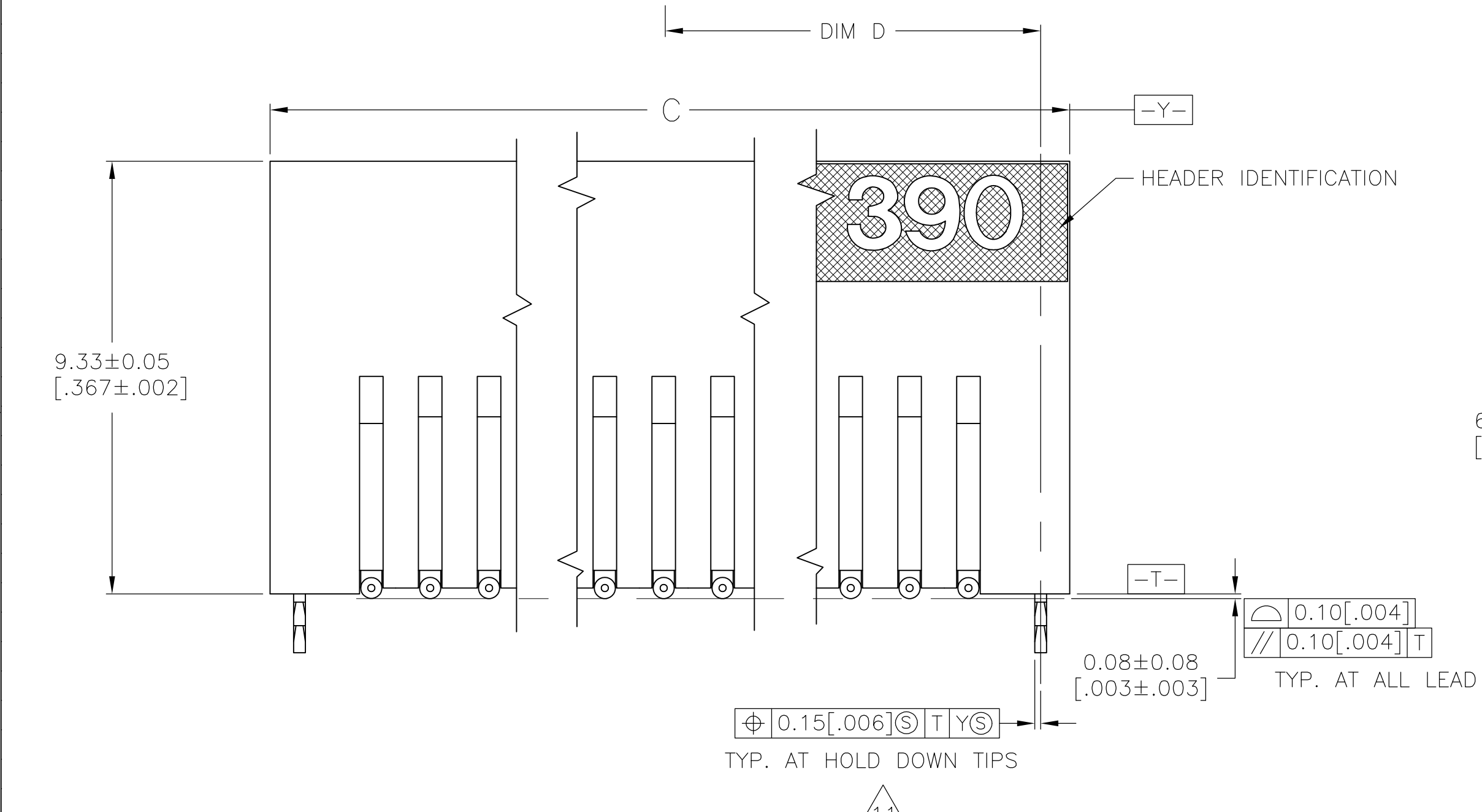
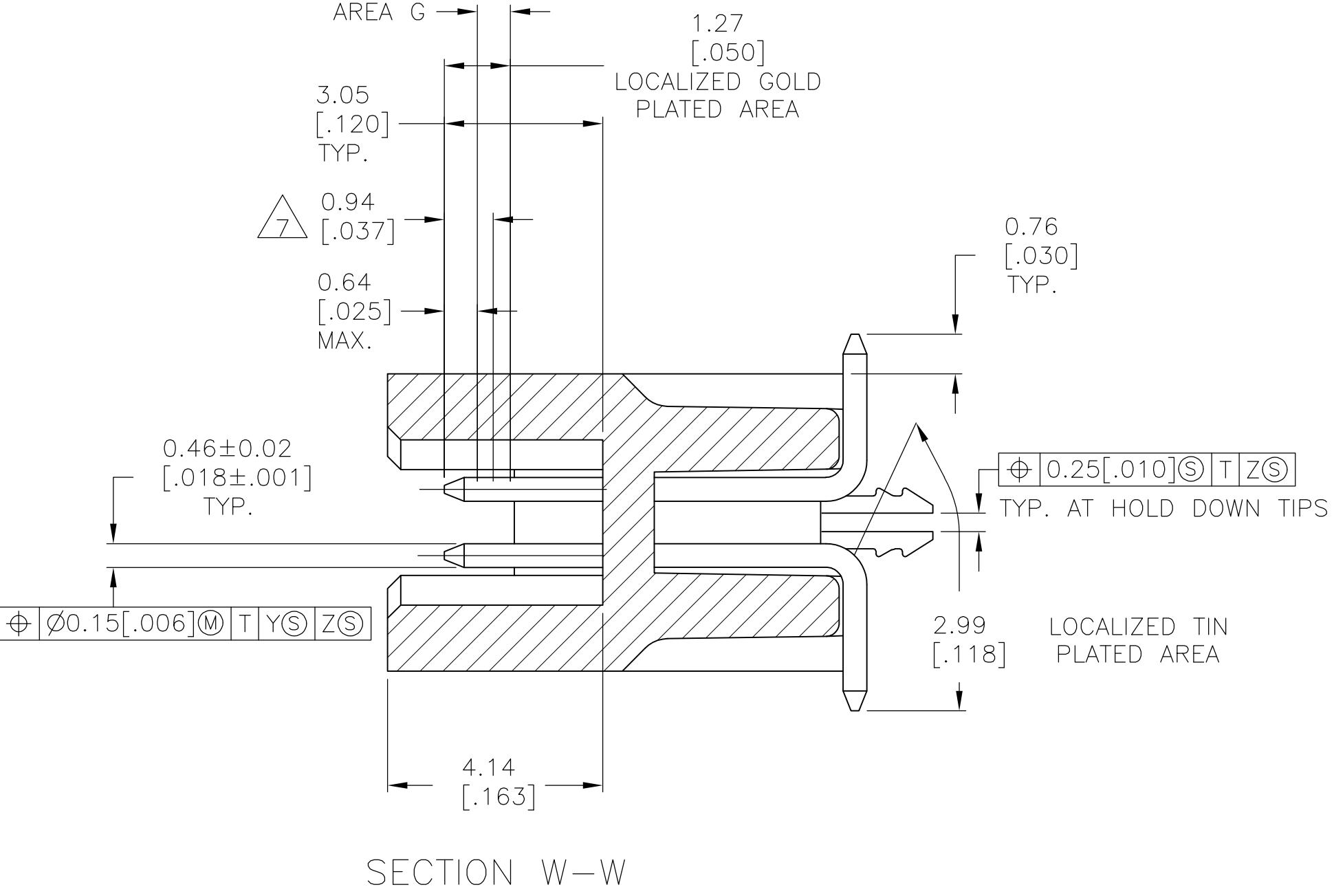
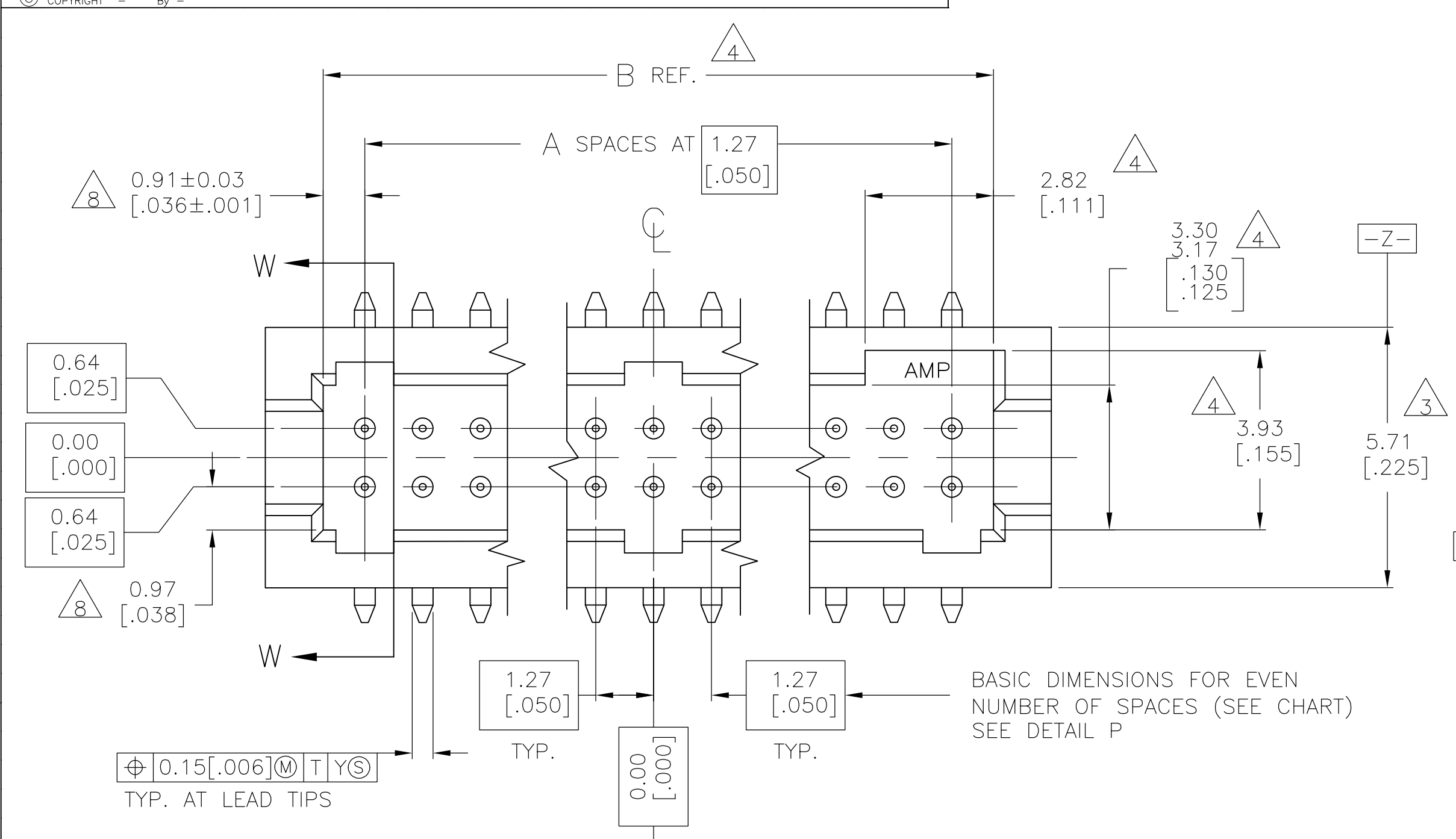


REVISONS		DATE	BY	APPV
L3	REVISED PER ECO-11-004587	11MAR11	RK	HMR



- 1 0.00076(.000030) GOLD AT POINT OF MEASUREMENT, 0.00051(.000020) MIN AT THE END POINTS OF AREA G, (LOCALIZED GOLD PLATE AREA), 0.0038(.000150) TIN-LEAD ON LOCALIZED TIN PLATED AREA, ALL OVER 0.0013(.000050) NICKEL.
- 2 USE 1.32±0.02(.0520±.0010) DRILLED HOLE (#55 DRILL). FINISH TO BE TIN-LEAD OVER 0.02 [.001] MIN COPPER.
- 3 DIMENSION APPLIES AT BASE OF SHROUD.
- 4 THE NOTED DIMENSIONS APPLY AT THE MATING FACE OF THE HOUSING.
- 5 0.0038 [.000150] TIN-LEAD ON HOLD DOWN, ALL OVER 0.0013 [.000050] NICKEL.
- 6 IF PLANNING TO USE MORE THAN ONE MATING PAIR OF CONNECTORS TO INTERCONNECT 2 BOARDS, PLEASE REFER TO SPACING PARAGRAPH IN APPLICATION SPEC, #114-7010
- 7 POINT OF MEASUREMENT
- 8 DIMENSIONS NOTED APPLY FROM THE BASIC DIMENSION LINE (NOT THE CIRCUIT CAVITY CENTER LINE) TO THE SURFACE INDICATED.
- 9 0.00076 (.000030) GOLD AT POINT OF MEASUREMENT, 0.00051(.000020) MIN AT THE END POINTS OF AREA G (LOCALIZED GOLD PLATE AREA), 0.0038(.000150) TIN ON LOCALIZED TIN PLATED AREA, ALL OVER 0.0013(.000050) NICKEL.
- 10 USE 1.32±0.02(.0520±.0010) DRILLED HOLE (#55 DRILL) FINISH TO BE TIN OVER 0.02(.001) MIN COPPER.
- 11 0.0038 (.000150) TIN ON HOLDDOWN, ALL OVER 0.0013 (.000050) NICKEL
- 12 ROHS 2002/95/EC COMPLIANT.
- 13 OBSOLETE PARTS: OBSOLETE CIS STREAMLINING PER D.RENAUD/D.SINISI

		65.33	32.66	66.59	64.05			
		[2.572]	[1.286]	[2.622]	[2.522]	49	100	6-104693-0
		58.98	29.48	60.24	57.70	44	90	5-104693-9
		[2.322]	[1.161]	[2.372]	[2.272]			
		52.63	26.31	53.89	51.35	39	80	5-104693-8
		[2.072]	[1.036]	[2.122]	[2.022]			
		46.28	23.13	47.54	45.00	34	70	5-104693-7
		[1.822]	[.911]	[1.872]	[1.772]			
		39.93	19.96	41.19	38.65	29	60	5-104693-6
		[1.572]	[.786]	[1.622]	[1.522]			
		33.58	16.78	34.84	32.30	24	50	5-104693-5
		[1.322]	[.661]	[1.372]	[1.272]			
		27.23	13.61	28.49	25.95	19	40	5-104693-4
		[1.072]	[.536]	[1.122]	[1.022]			
		20.88	10.43	22.14	19.60	14	30	5-104693-3
		[.822]	[.411]	[.872]	[.772]			
		14.53	7.26	15.79	13.25	9	20	5-104693-2
		[.572]	[.286]	[.622]	[.522]			
		8.18	4.08	9.44	6.90	4	10	5-104693-1
		[.322]	[.161]	[.372]	[.272]			
		65.33	32.66	66.59	64.05	49	100	1-104693-0
		[2.572]	[1.286]	[2.622]	[2.522]			
		58.98	29.48	60.24	57.70	44	90	104693-9
		[2.322]	[1.161]	[2.372]	[2.272]			
		52.63	26.31	53.89	51.35	39	80	104693-8
		[2.072]	[1.036]	[2.122]	[2.022]			
		46.28	23.13	47.54	45.00	34	70	104693-7
		[1.822]	[.911]	[1.872]	[1.772]			
		39.93	19.96	41.19	38.65	29	60	104693-6
		[1.572]	[.786]	[1.622]	[1.522]			
		33.58	16.78	34.84	32.30	24	50	104693-5
		[1.322]	[.661]	[1.372]	[1.272]			
		27.23	13.61	28.49	25.95	19	40	104693-4
		[1.072]	[.536]	[1.122]	[1.022]			
		20.88	10.43	22.14	19.60	14	30	104693-3
		[.822]	[.411]	[.872]	[.772]			
		14.53	7.26	15.79	13.25	9	20	104693-2
		[.572]	[.286]	[.622]	[.522]			
		8.18	4.08	9.44	6.90	4	10	104693-1
		[.322]	[.161]	[.372]	[.272]			
FINISH		E	D	C	B	A	NUMBER OF POSITIONS	PART NUMBER

RECOMMENDED BOARD LAYOUT SCALE 5:1

THIS DRAWING IS A CONTROLLED DOCUMENT.

DIMENSIONS: mm [INCHES]

TOLERANCES UNLESS OTHERWISE SPECIFIED:

0 PL	±	-
1 PL	±	-
2 PL	±	0.13 [.005]
3 PL	±	-
4 PL	±	-
ANGLES	±	-

MATERIAL: INDUSTRY SPEC. ALUMINUM BRASS. HOLD-DOWN: COPPER ALLOY.

FINISH: SEE TABLE.

WEIGHT: -

CUSTOMER DRAWING

SCALE: 10:1

SHEET: 1 of 1

REV: L3

DATE: 8/12/91

NAME: D. GORENC

PRODUCT SPEC: 108-1332

APPLICATION SPEC: 114-7010

SIZE: A1

DRAWING NO: 104693

RESTRICTED TO: -

TE Connectivity

HEADER ASSEMBLY, SURFACE MOUNT, AMPMODU 50/50 GRID (9.90 [.390] MATED HEIGHT)

Mouser Electronics

Authorized Distributor

Click to View Pricing, Inventory, Delivery & Lifecycle Information:

[TE Connectivity:](#)

[104693-5](#)