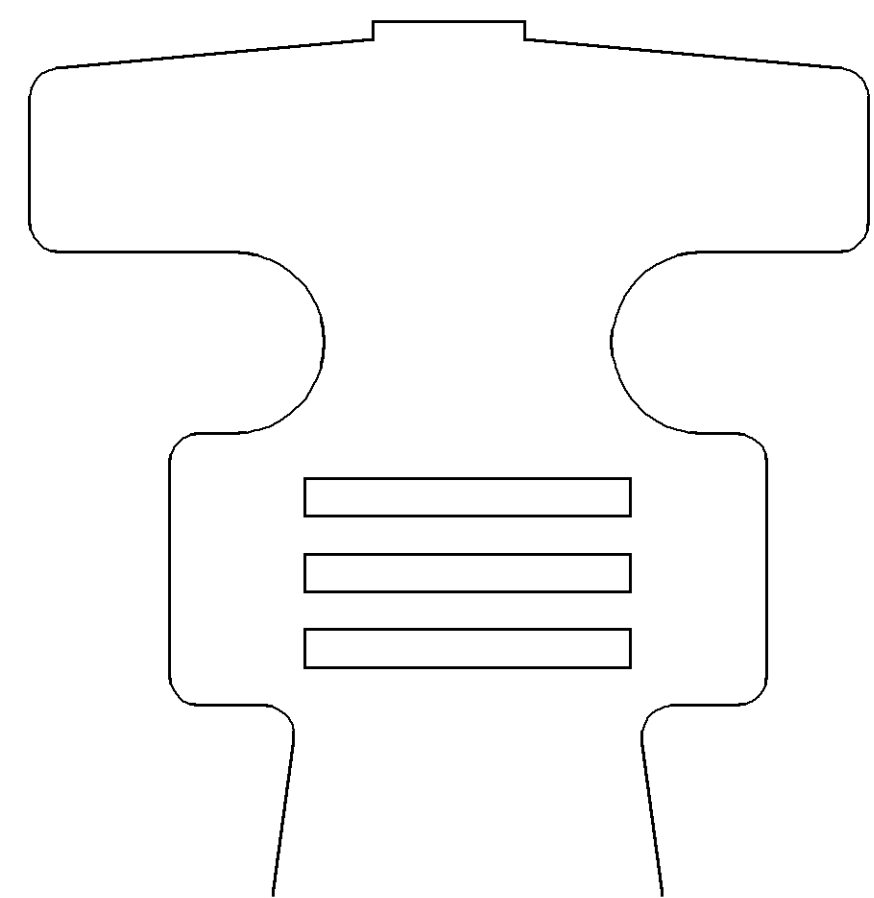
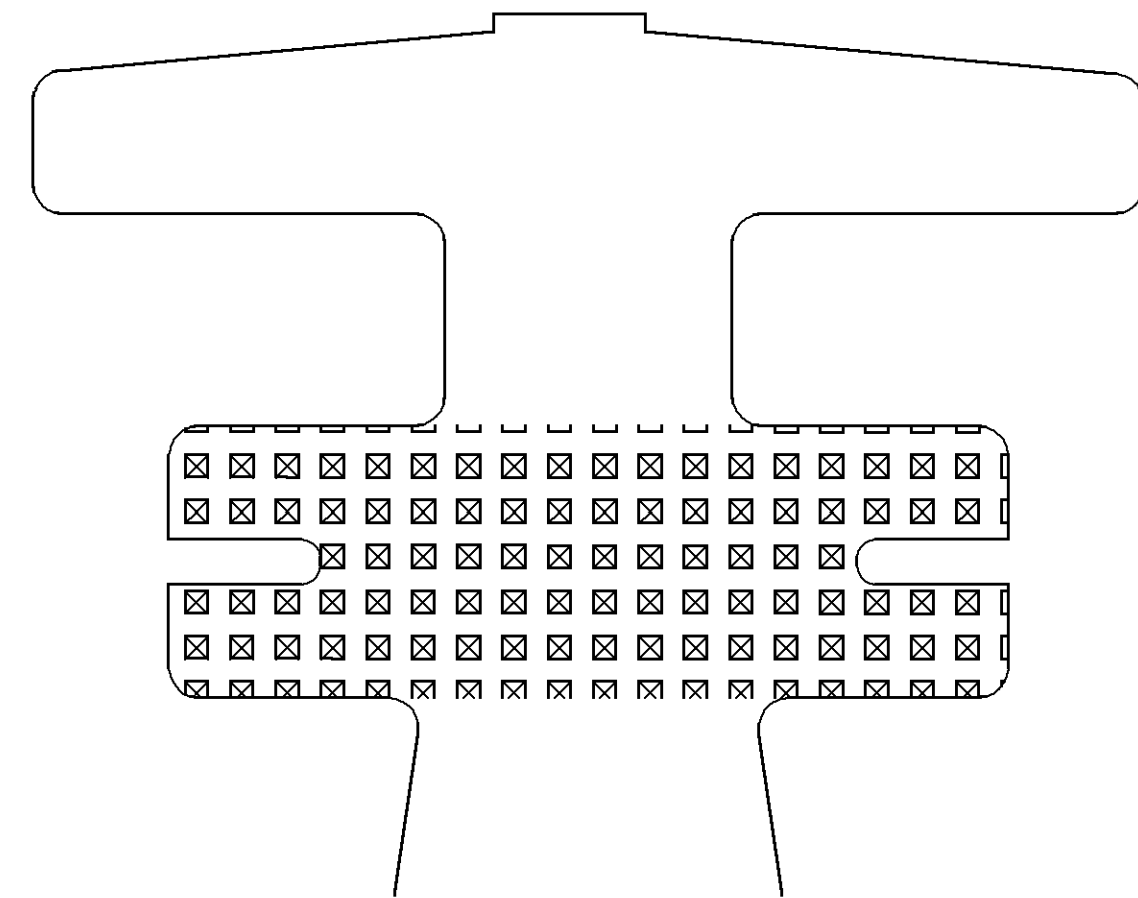


TYPE 101
SCALE 10:1

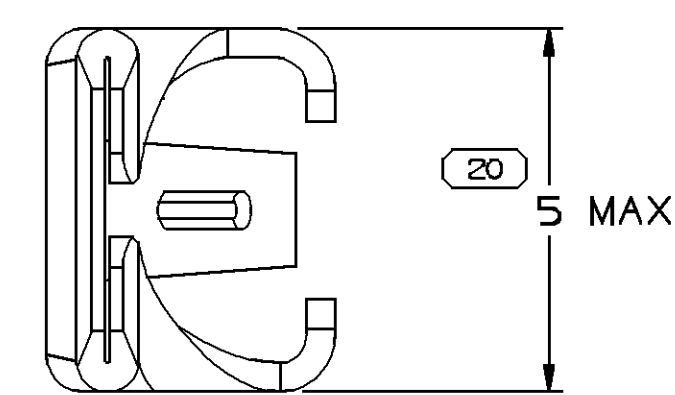


TYPE 102
SCALE 10:1

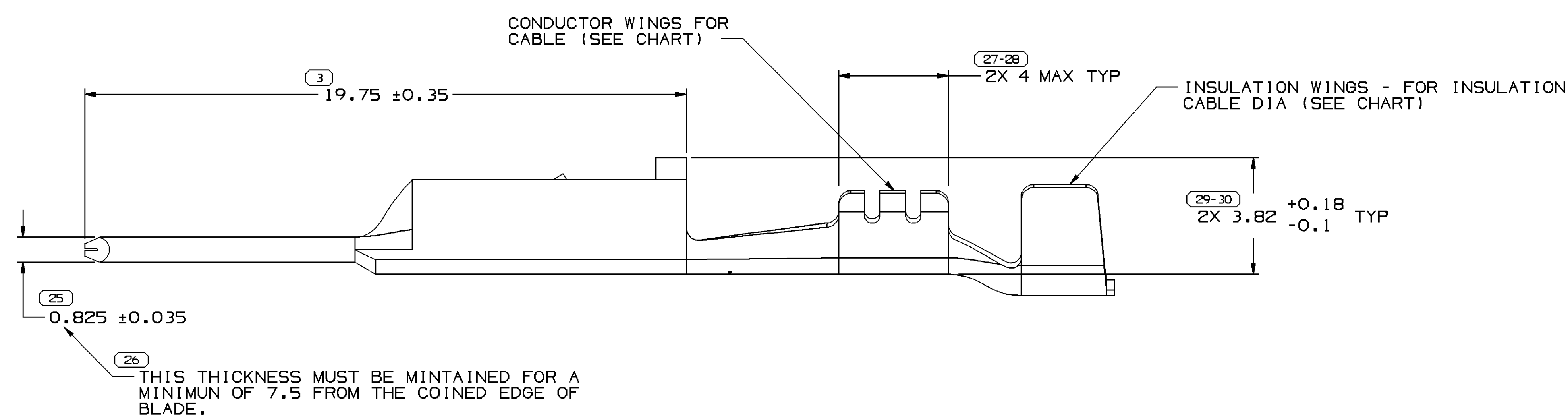
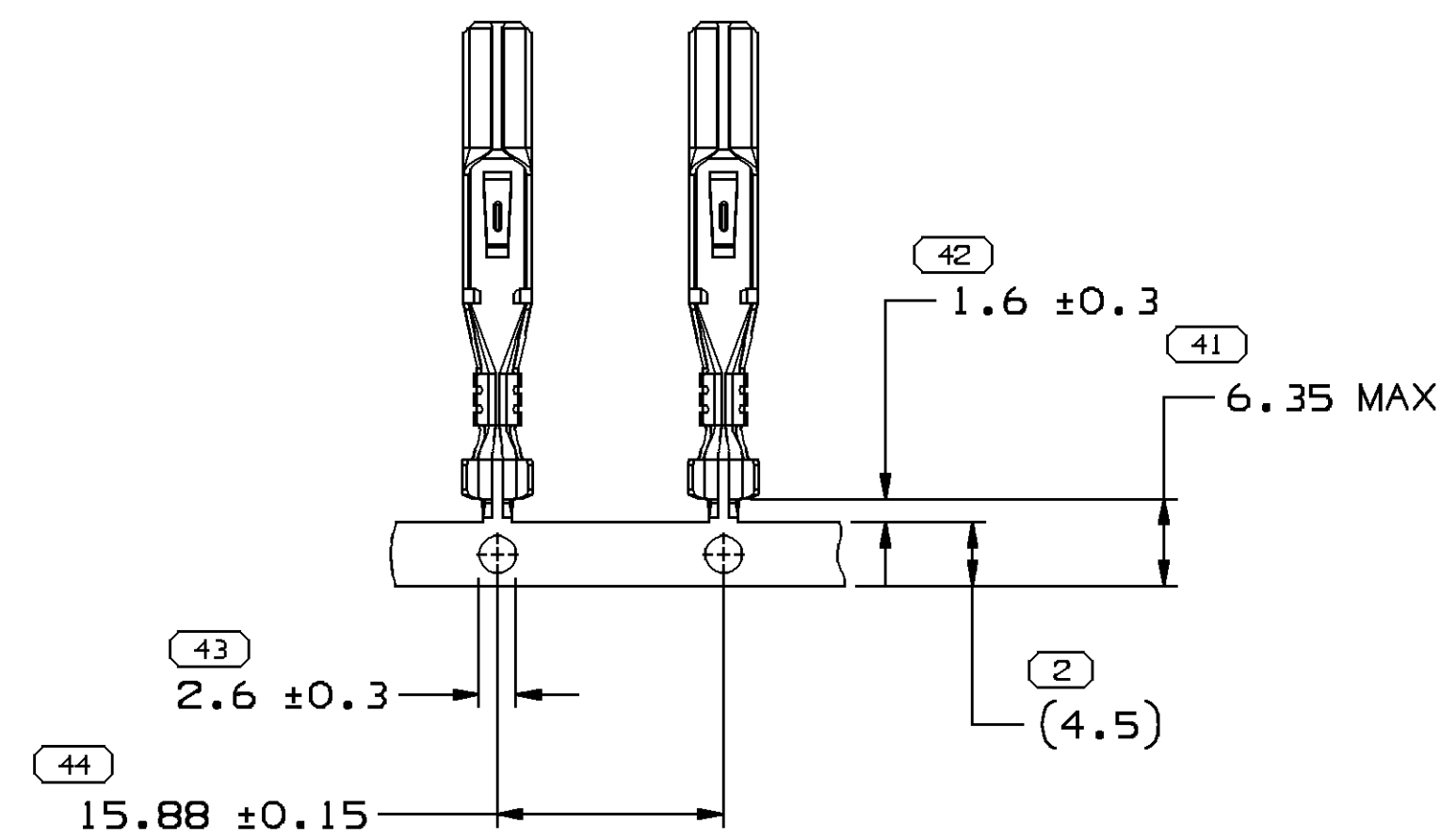
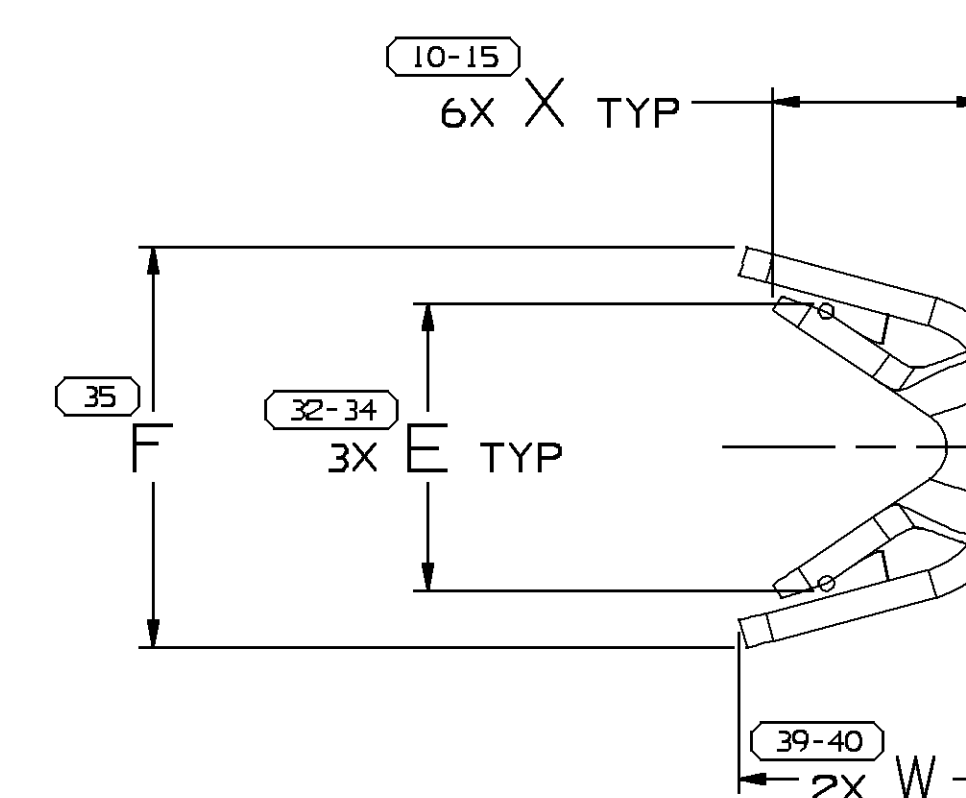
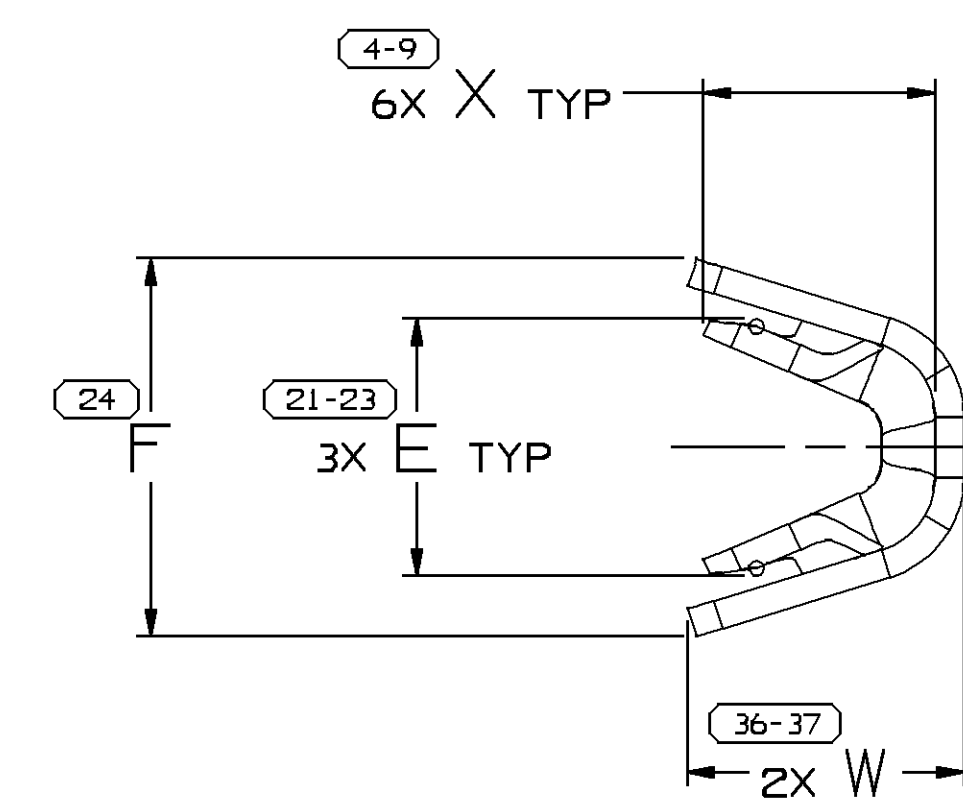
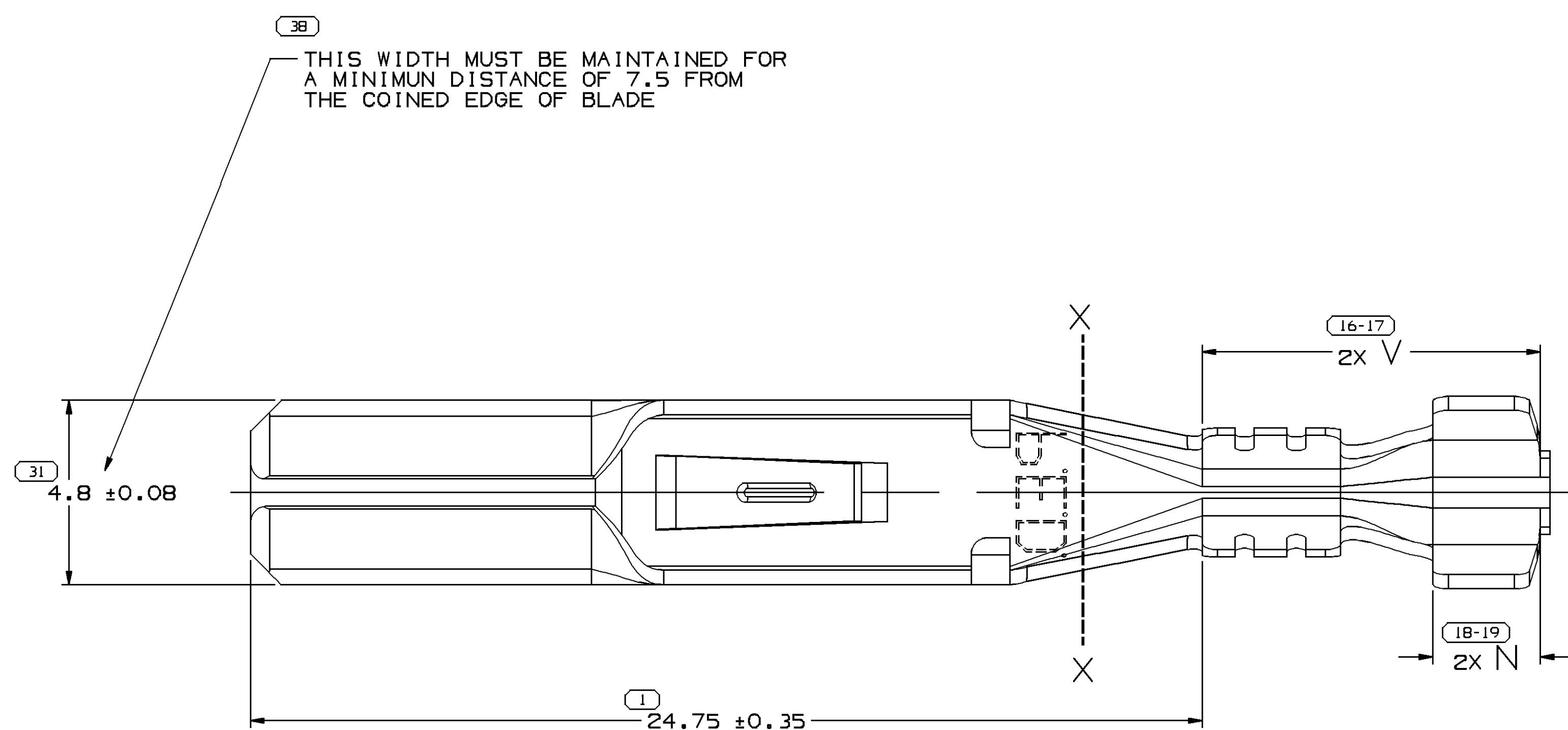


TYPE 103
SCALE 10:1

BLANK VIEWS



VIEW TO X-X



NOTES

- UNLESS OTHERWISE SPECIFIED AND/OR INDICATED: DIMENSIONS ARE TO FACE OF VIEW SHOWN AND AUTOMATICALLY ROUNDED BY COMPUTER FOR INSPECTION (SEE MATH MODEL FOR PRECISE DIMENSIONS). FOR ALL OTHER DIMENSIONS NOT SHOWN BUT REQUIRED FOR TOOL BUILD, SEE MATH MODEL FOR PRECISE TOOL PATH DATA.
- MATING COMPONENTS OR EQUIVALENT: TERMINAL 12015828

| PART NO | REV N/P | STATUS | MAT'L SIZE | MAT'L SPEC | PART NO | REV N/P | STATUS | MAT'L SPEC | SIZE (MM²) | ID | DIA | TYPE | E _{10.4} | F _{10.4} | N _{10.15} | V _{10.3} | (W) | (X) | |
|----------|---------|------------|---------------|--------------|----------|---------|------------|------------|------------|-----|-----------|------|-------------------|-------------------|--------------------|-------------------|-----|-----|--|
| | | | 0.381 - 42.47 | | 12066269 | B4 | - | M3617336 | 0.5-0.35 | 21 | 2.2-1.3 | 101 | 2.4±0.2 | 3.8±0.2 | 2.8 | 8.7 | 3.1 | 2.4 | |
| | | | 0.381 - 42.47 | | 12052827 | E4 | - | M3617336 | 3 | 12 | 3.2-3.04 | 103 | 4.6 | 6 | 2.4 | 8.7 | 4.6 | 4.2 | |
| | | | 0.381 - 42.47 | | 12033820 | F4 | - | M3617336 | 5 - 3 | 11 | 5.24-3.49 | 103 | 4.6 | 7.6 | 2.4 | 8.6 | 5.6 | 4.6 | |
| | | | 0.381 - 42.47 | | 12020784 | E3 | - | M3617336 | TWO 0.35 | 222 | 2-1.35 | 101 | 3.6±0.2 | 5.3 | 2.8 | 8.7 | - | - | |
| | | | 0.381 - 42.47 | | 12020783 | D | - OBSOLETE | F1403336 | 0.35 | 22 | 2-1.35 | 101 | 2.2±0.2 | 3.6 | 2.8 | - | - | - | |
| | | | 0.381 - 42.47 | | 12020123 | B | - OBSOLETE | F1403336 | TWO 3 | 212 | 4.67-3.49 | 102 | 6.6 | 8.6 | 2.8 | - | - | - | |
| | | | 0.381 - 42.47 | | 12020122 | C | - OBSOLETE | F1403336 | TWO 1 | 216 | 2.68-2.48 | 102 | 6.6 | 7.6 | 2.8 | - | - | - | |
| | | | 0.381 - 42.47 | | 12020121 | C | - OBSOLETE | F1403336 | 5 - 3 | 11 | 5.24-3.49 | 103 | 4.6 | 7.6 | 2.4 | - | - | - | |
| | | | 0.381 - 42.47 | | 12020120 | D4 | - OBSOLETE | F1403336 | 2 - 1 | 15 | 3.97-2.48 | 102 | 3.7 | 6 | 2.8 | 8.7 | 4.3 | 3.4 | |
| 12020392 | B | - OBSOLETE | 0.381 - 42.47 | PM001403 336 | 12020119 | G4 | - | M3617336 | 0.8-0.5 | 19 | 3.12-2.03 | 101 | 3.2 | 5 | 2.8 | 8.7 | 3.5 | 2.8 | |
| 12020393 | E | - OBSOLETE | 0.381 - 42.47 | PM001403 336 | | | | | | | | | | | | | | | |

| SYMBOL DEFINITION | | | | MISSING NUMBERS | |
|---|---------------------------------|----|--|-----------------|--|
| THE NUMBER INSIDE THE SYMBOL () | TOTAL NO. OF SYMBOLS ON DRAWING | 24 | | | |
| CORRESPONDS TO THE NUMBER ON THE INSPECTION REPORT FOR THIS DRAWING/PART NUMBER | LAST NO. USED | 44 | | | |

| DWG STATUS | | | | REVISION HISTORY | | | | AUTH | | | |
|------------|-----|-----|-----|------------------|------|--|--------|------|-----|------|--------|
| DATE | STG | REV | N/P | CHG | ZONE | | | | DR | APVD | APVD 2 |
| 29MR00 | R | 01 | - | - | | ALL ACTIVE PARTS - WAS SEPARATE DWGS, 3.82 ± 0.18 ± 0.1 WAS 3.82 ± 0.1, ADDED 24.75 ± 0.35, REMOVED 33.4 REF, REVISED V, N & 1.6 ± 0.3 DIM; 12020784 - REVISED E TOL | 196857 | 6E0 | RCH | JH | |
| 10MY01 | R | 02 | - | - | | ALL ACTIVE PARTS - 2.6 ± 0.3 WAS 2 ± 0.3 | 209338 | JYD | EBR | JH | |
| 21OC02 | R | 03 | - | - | | ALL ACTIVE PARTS - MAT'L SPEC WAS P3607336, ADDED 4.04 ± 0.7-2.69 & NOTE | 231661 | EAR | EAR | JH | |
| 21OC02 | R | 04 | - | - | | ALL ACTIVE PARTS - 3.2B ± 0.1-1.93 WAS 4.04 ± 0.7-2.69 | 232037 | EAR | EAR | JH | |
| 09DE03 | R | 05 | - | - | | ALL ACTIVE PARTS - RENEWED REV 02 STATUS | 248617 | MJM | MJM | BO | |
| 19AP07 | R | 06 | - | - | | ALL ACTIVE PARTS - ADDED CRIMP WING VIEWS AND UPDATED MAT'L SPEC | 400958 | END | END | BDG | |

| PART DRAWING | |
|---|----------------------------|
| STYLE | D |
| VOLUME 10/11 | DISTR CODE |
| UNLESS OTHERWISE SPECIFIED THIS DOCUMENT IS IN ACCORDANCE WITH ASME Y14.5M-1994 AS MODIFIED BY THE IN-SOURCE DIMENSIONING AND TOLERANCE PRACTICES. SEPARATE WRITINGS OF DIMENSIONS MAY BE BASED SEPARATELY PER-ROLE OF DIVISION REFERENCES. | |
| ALL DIMENSIONS ARE IN MILLIMETERS | |
| THIRD ANGLE PROJECTION | DO NOT SCALE USE MATH DATA |

DELPHI
DELPHI PACKARD ELECTRICAL/ELECTRONIC ARCHITECTURE
WARREN, OH

| | |
|-------------------|--------|
| DR | DATE |
| APV01 G. ESTRADA | 29MR00 |
| APV02 R. CHACON | 27JN00 |
| APV03 J. HORIUCHI | 27JN00 |
| APV04 | |
| APV05 | |

SUBSTANCES OF CONCERN AND RECYCLED CONTENT PER DELPHI 10949001

DRAWING NAME
TAXI TERM M/M/P 480 TANG

DRAWING NUMBER
12020118

| | | | | | |
|------|-------|----------|----------|-----|-----|
| SIZE | SCALE | FRAME NO | SHEET NO | REV | N/P |
| A0 | 10:1 | 1 | 1 | 1 | 06 |

Mouser Electronics

Authorized Distributor

Click to View Pricing, Inventory, Delivery & Lifecycle Information:

[Aptiv:](#)

[12020120-L](#) [12033820-L](#) [12052827-L](#) [12020119-L](#)