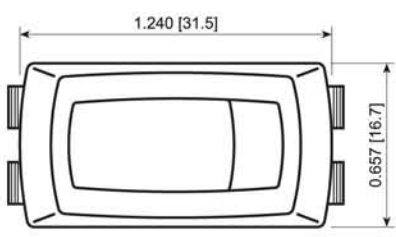


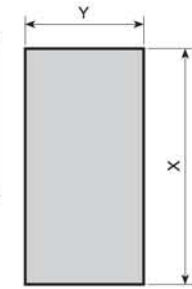
RSC Series



ROCKER



Panel Cutout



	X	Y
RSC1-Series	1.126 [28.6]	0.547 [13.9]
RSC2-Series	1.071 [27.2]	0.476 [12.1]
RSC3-Series	1.071 [27.2]	0.547 [13.9]
RSC4-Series	1.126 [28.6]	0.476 [12.1]

Actuator Options

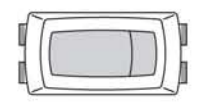


Bi-Color



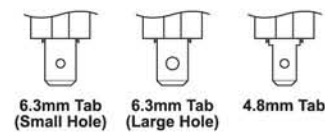
Flat

Illumination Options

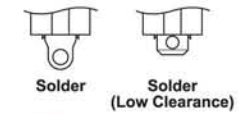


Full

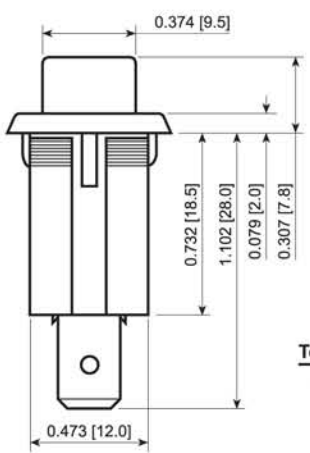
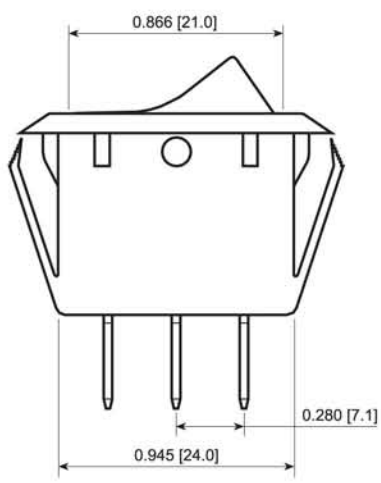
Terminal Options



6.3mm Tab (Small Hole) 6.3mm Tab (Large Hole) 4.8mm Tab



Solder Solder (Low Clearance)



FEATURES:

- Excellent Quality and Reliability
- 4 Bodies to Cover Many Popular Cutouts
- High Current Capacity
- Illuminated and Bi-Color Actuators

SPECIFICATIONS:

RATING: RATING OPTION D:
 20A 125VAC [cURus]
 16A 250VAC [cURus]
 1/4HP 125VAC [UL]
 3/4HP 250VAC [UL]
 16(4)A 250V- 1E4 T125 [European]
 20(8)A 250V- 1E4 T125 [European]
 10(2)A 250V- 5E4 T125 [European]

RATING OPTION C:
 15A 125VAC [cURus]
 10(4)A 250V- 1E4 T85 [European]

TEMPERATURE: -20°C to 65°C [cURus]
 -20°C to 105°C [cURus]
 -20°C to 125°C [European]

ELECTRICAL LIFE: 10,000 Cycles
CONTACT RESISTANCE: 20mΩ Max. at 1A 5VDC
INSULATION RESISTANCE: 100MΩ Min. at 500VDC
DIELECTRIC STRENGTH: 1,000VAC for 1 Minute

MATERIALS:

BODY: Polyamide 6/6, UL94 V-2
ACTUATOR: Polyamide 6/6, UL94 V-2
 Polycarbonate, UL94 V-2
CONTACTS: Silver
TERMINALS: Silver Plated Copper



RSC241D125Z11

RSC141D1A24

RSC341D1123



RSC241D2200



RSC141D1021-116

Series	Terminal	Function	Rating	Body Color	Actuator Color	Marking Color	Marking Type	Lens Style	Lens Color	Lamp Voltage
Curved Actuators:	1 - 4.8mm Tab	1 - Off-On (*)	C - 15A 125V	1 - Black	0 - Full Illum.	0 - None	0 - None	1 - Full	0 - Clear	3 - 6V
RSC1 - 28.6 x 13.9 Cutout	4 - 6.3mm Tab (Small Hole)	3 - On-On	D - 20A 125V	2 - White	1 - Black	1 - Black	1 - I/O Vert.	1 - Red	1 - Red	4 - 12V
RSC2 - 27.2 x 12.1 Cutout	5 - Solder	4 - Off-(On)		3 - Almond	2 - White	2 - White	2 - ON/OFF/ON Vert.	2 - Amber	2 - Amber	5 - 24V
RSC3 - 27.2 x 13.9 Cutout	9 - 6.3mm Tab (Large Hole)	5 - On-Off-On		4 - Grey	4 - Grey	8 - Red	3 - ON/OFF Vert.	3 - Green	3 - Green	6 - 125V
RSC4 - 28.6 x 12.1 Cutout	C - Solder (Low Clearance)	A - On-(Off)		9 - Red	5 - Orange		4 - ON/OFF Horiz.	4 - Blue	4 - Blue	7 - 250V
Flat Actuators:		B - On-(On)			7 - Blue		9 - I/O Horiz.			
RSCF1 - 28.6 x 13.9 Cutout		C - On-Off-(On)			8 - Green		R - I/O Horiz.			
RSCF2 - 27.2 x 12.1 Cutout					9 - Red		S - I/O Vert.			
RSCF3 - 27.2 x 13.9 Cutout										
RSCF4 - 28.6 x 12.1 Cutout										

Note:
 * = Option Available with Illumination

Custom Colors and Markings Available Upon Request For Illuminated Switches Only

EXAMPLE PART NUMBERS:

- RSC141D1000-126 1P Off-On
Black Body, Amber Illum. Actuator, 125V
- RSC141D1100 1P Off-On
Black Body/Actuator, No Marking
- RSC141D1121 1P Off-On
Black Body/Actuator, I/O Vert.
- RSC141D2200 1P Off-On
White Body/Actuator, No Marking



SPECIFICATIONS SUBJECT TO CHANGE WITHOUT NOTICE

Mouser Electronics

Authorized Distributor

Click to View Pricing, Inventory, Delivery & Lifecycle Information:

E-Switch:

[RSC14001000-137](#) [RSC141D1A81](#) [RSC241D1B2R](#) [RSC141D1000-116](#) [RSC141D1000-126](#) [RSC114D1100](#)
[RSC241D1A8L](#) [RSC341D1123](#) [RSC441D1A83](#) [RSC144C1100](#) [RSC241D1A81](#) [RSC141D1000-117](#) [RSC141D1123](#)
[RSC143D1100](#) [RSC145C1100](#) [RSC141D1200](#) [RSC141D1000-124](#) [RSC141D1A83](#) [RSC241D1A83](#)
[RSC141D1000-114](#) [RSC141D1A23](#) [RSC141D1100](#) [RSC141D1121](#) [RSC141D1000-127](#) [RSC141D1900](#)
[RSC144D1100](#) [RSC341D1A81](#) [RSC141C1000-126](#) [RSC145D142S](#) [RSC141C1900](#) [RSC341D1A23](#) [RSC141D1A00](#)
[RSCF141D1100](#) [RSC441D1100](#) [RSC241C1121](#) [RSCF141D1123](#) [RSC341D2C8Z24](#) [RSCF241D1000-126](#)
[RSC244D112FEED](#) [RSC244D112RESET](#) [RSC145D1900](#) [RSC441D1A00](#) [RSC441D1A2R](#) [RSC141D1011-137](#)
[RSC24BD112TEST](#) [RSC441D1A2Z11](#)