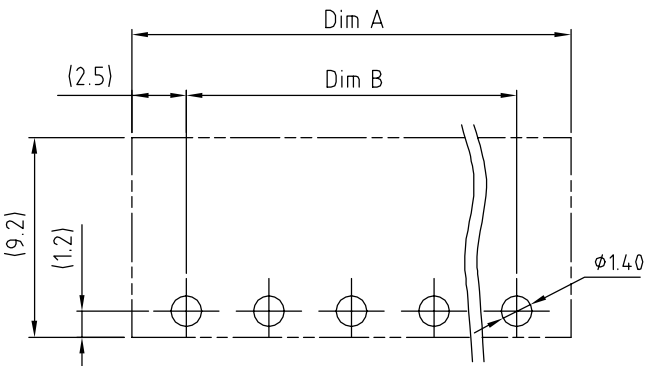
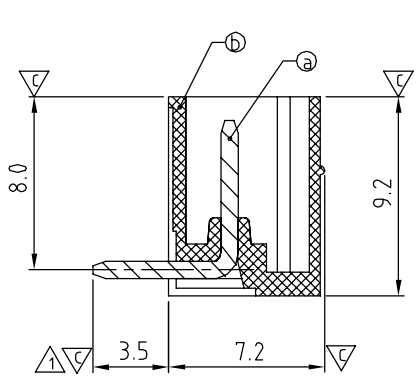
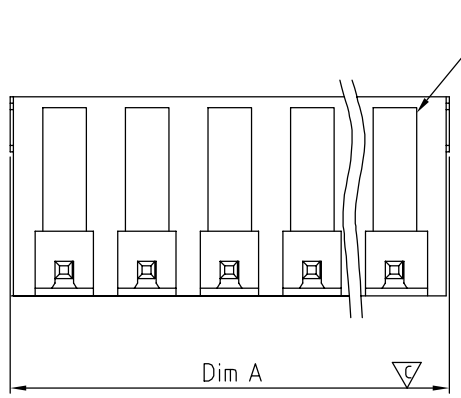


DIMENSION

A	$(N-1) \times 3.81 + 5.0$
B	$(N-1) \times 3.81$

N= number of poles

Poles	Tolerance
2P-6P	±0.15
7P-12P	±0.20
13P-18P	±0.25
19P-24P	±0.30



RECOMMENDED PCB LAYOUT

SIGN	DATE	DESCRIPTION	APPROVER
△	10/20'05	Dim changed from 3.8 to 3.5	Marvin
△	04/20'06	Added feature	Marvin
△	8/16'06	Added VDE standard	Steady
△	1/12'07	Soldering temperature changed from 245° to 250°	Tony
△	5/27'08	Operating temperature is changed	Marvin
△	2009.08.18	The material is changed	Jacke
△	2010.07.07	Remove the CSA mark	Chen Bo
△	2010.12.21	Dim changed from 2.6 to 2.5	Runner
△	2012.05.22	Voltage rating is changed	Chen Bo

THIS IS CAD DRAWING, DO NOT REVISE MANUALLY!!!

Material:

- Item ③ Male contact pin: Copper C1100 Tin plated
- Item ④ Terminalhousing): Thermoplastic (UL94V-0)

- △ Electrical: cULus /VDE
- △ ● Voltage rating: 300V/300V
- Current rating: 10A/10.5A
- Withstanding Voltage: 1.6 KV/2.5KV
- △ ● Operating temperature: -40°C to +115°C
- △ ● Soldering temperature: 250°C±10°C/5 Sec
- △ ● Safety Approval:
- Critical dimension: ▽

OQ xx 3 2 x 1 xxxx G

- No. OF POLES: 02: 2 POLES, 24: 24 POLES
- COLOR: 0 Black (RAL9005), 2 Red (RAL3001/D), 3 Orange(RAL2011/P), 4 Yellow(RAL1018/A), 5 Green(RAL6018/T), 6 Blue (RAL5015/A), 8 Grey(RAL7035/D), 9 White(RAL1102), C Green(RAL6018/U)
- G RoHS compliant (lead<4%) In copper Alloy
- 0000: "@ " Logo (Standard)
- 000A: "ANYTEK" Mark
- Any special item by customer request. please contact sales department.

<b>ANYTEK</b>		<b>CUSTOMER COPY</b>	
TITLE	OQ 3.81mm Series 90° (2P-24P) Triangle Key Lock		
PART NO.	OQxx32x1xxxxX	DWG NO.	80Q.0602
APPROVED	CHECKED	DESIGNED	DRAWN
		Chen Bo 05/23'12	Chen Bo 05/23'12
SHEET: 01/01		UNIT: mm	Tolerance
REV.: L		SCALE: NONE	X. ±0.50
			X.X ±0.30
			X.XX ±0.10
			X° ±1°

# Mouser Electronics

Authorized Distributor

Click to View Pricing, Inventory, Delivery & Lifecycle Information:

## Amphenol:

[QQ07325100J0G](#) [QQ02325100J0G](#) [QQ16325100J0G](#) [QQ08325100J0G](#) [QQ12325100J0G](#) [QQ10325100J0G](#)  
[QQ09325100J0G](#) [QQ06325100J0G](#) [QQ04325100J0G](#) [QQ05325100J0G](#) [QQ1332510000G](#) [QQ1132510000G](#)  
[QQ1932510000G](#) [QQ2132510000G](#) [QQ1532510000G](#) [QQ1432510000G](#) [QQ2232510000G](#) [QQ2032510000G](#)  
[QQ2332510000G](#) [QQ1832510000G](#) [QQ1732510000G](#) [QQ2432510000G](#) [QQ0232010000G](#) [QQ0632510000G](#)  
[QQ0832510000G](#) [QQ0432510000G](#) [QQ0532510000G](#) [QQ0932510000G](#) [QQ0232510000G](#) [QQ0332510000G](#)  
[QQ1232510000G](#) [QQ0732510000G](#) [QQ1032510000G](#) [QQ1632510000G](#) [QQ0532810000G](#) [QQ0732010000G](#)  
[QQ0732810000G](#) [QQ1032810000G](#) [QQ0632810000G](#) [QQ0632010000G](#) [QQ0432010000G](#) [QQ0432810000G](#)  
[QQ1932810000G](#) [QQ1332810000G](#) [QQ1432010000G](#) [QQ1532010000G](#) [QQ0332010000G](#) [QQ0332810000G](#)  
[QQ0232810000G](#) [QQ2032010000G](#) [QQ1932010000G](#) [QQ2432810000G](#) [QQ2332810000G](#) [QQ2132810000G](#)  
[QQ2332010000G](#) [QQ1632010000G](#) [QQ1732010000G](#) [QQ2132010000G](#) [QQ2232810000G](#) [QQ2232010000G](#)  
[QQ2432010000G](#) [QQ1632810000G](#) [QQ1732810000G](#) [QQ1832810000G](#) [QQ1832010000G](#) [QQ2032810000G](#)  
[QQ1432810000G](#) [QQ0832010000G](#) [QQ0932810000G](#) [QQ1332010000G](#) [QQ1232010000G](#) [QQ1232810000G](#)  
[QQ1532810000G](#) [QQ1032010000G](#) [QQ0832810000G](#) [QQ0932010000G](#) [QQ1132810000G](#) [QQ0532010000G](#)  
[QQ1132010000G](#)