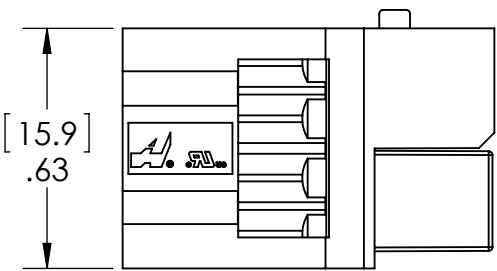
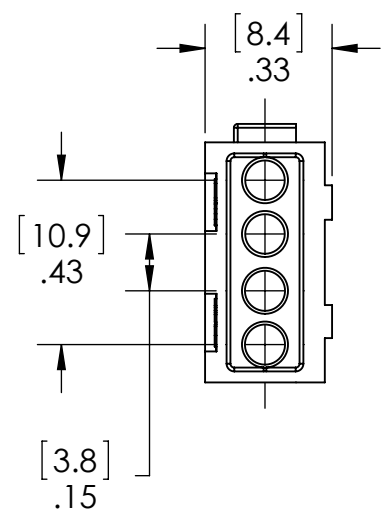
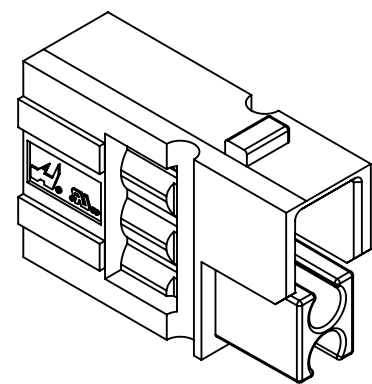
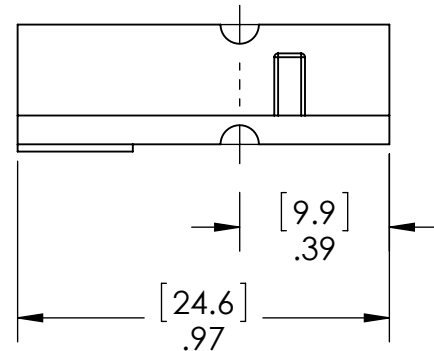
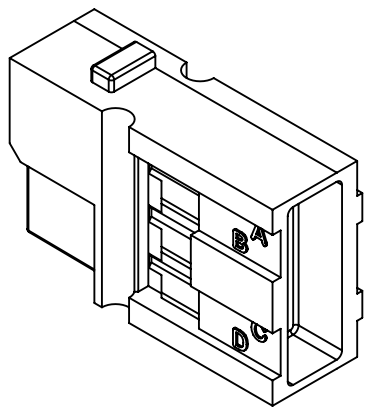


8 7 6 5 4 3 2 1

THE INFORMATION CONTAINED IN THIS DRAWING IS THE SOLE PROPERTY OF ANDERSON POWER PRODUCTS. ANY REPRODUCTION IN PART OR WHOLE WITHOUT THE WRITTEN PERMISSION OF ANDERSON POWER PRODUCTS IS PROHIBITED.

Copyright 2013

ANDERSON POWER PRODUCTS RESERVES THE RIGHT TO ALTER PRODUCT TYPES, THEIR TECHNICAL DATA, DIMENSION, STYLE AND ACCESSORIES WITHOUT PRIOR NOTIFICATION.



WIRE SIZE AWG	WIRE SIZE mm ²	KIT P/N FOR SBE80, SBO60, SBE160, SBX175	KIT P/N FOR SBE320, SBX350
12	2.5	441G3	440G3
14 - 16	1.0 to 1.5	441G1	440G1
16 - 20	0.75 TO 1.0	441G2	440G2
HOUSING ONLY PART NUMBER 444G1			

D
C
B
A

D
C
B
A

REV.	DESCRIPTION	APPRV	DATE
4	ECRN-15522 UPDATE DRAWING TO INCLUDE AVAILABLE KITS	TWE	11/26/2013
3	ECRN 15041: UPDATED SALES DRAWING VIEWS AND TITLE BLOCK	JHN	1/17/2012
2	ECRN 14422 - ADD ORIENTATION RIB	AMS	4/22/2009
1	ECRN 14385 - CHANGE MATERIAL, ADD WIRE MARKINGS	AMS	2/11/2009
REVISIONS			

DIMENSIONS ARE IN:	INCH [MM]	<i>APPROVALS</i>		 ANDERSON POWER PRODUCTS	
UNLESS OTHERWISE STATED		DRAWN	AMS		11/12/2008
TOLERANCES:		CHECKED	DJD		11/12/2008
DECIMALS (INCH) DECIMALS (MM) ANGLES .XX ± .015 .X ± .38 ±.5° .XXX ± .005 .XX ± .13		MFG APPRV	CHB		11/12/2008
SURFACE FINISH:		QC APPRV	UFN	11/12/2008	
MACHINED 128µin [3.2µ] MOLDED 64µin [1.6µ]		ENG APPRV	DAM	11/12/2008	
MATERIAL: PBT		SIZE	A	DWG NO.	
FINISH: N/A		SCALE	2:1	114822S1	
		CADFILE	02853	REV.	
-CAD GENERATED DRAWING- DO NOT MANUALLY UPDATE DO NOT SCALE		SHEET	1 OF 1	4	

8 7 6 5 4 3 2 1

Mouser Electronics

Authorized Distributor

Click to View Pricing, Inventory, Delivery & Lifecycle Information:

[Anderson Power Products:](#)

[441G1](#) [441G2](#)