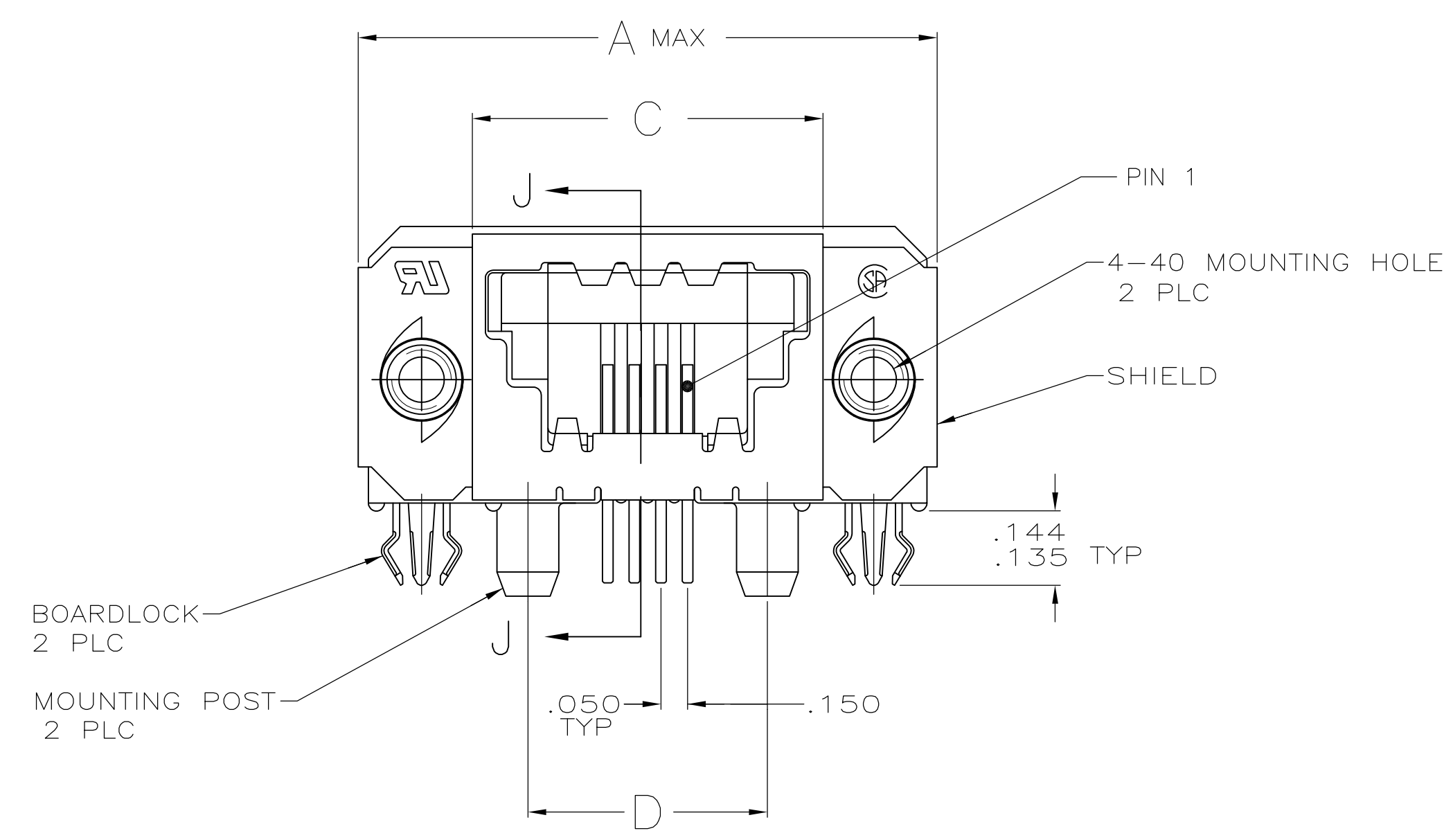
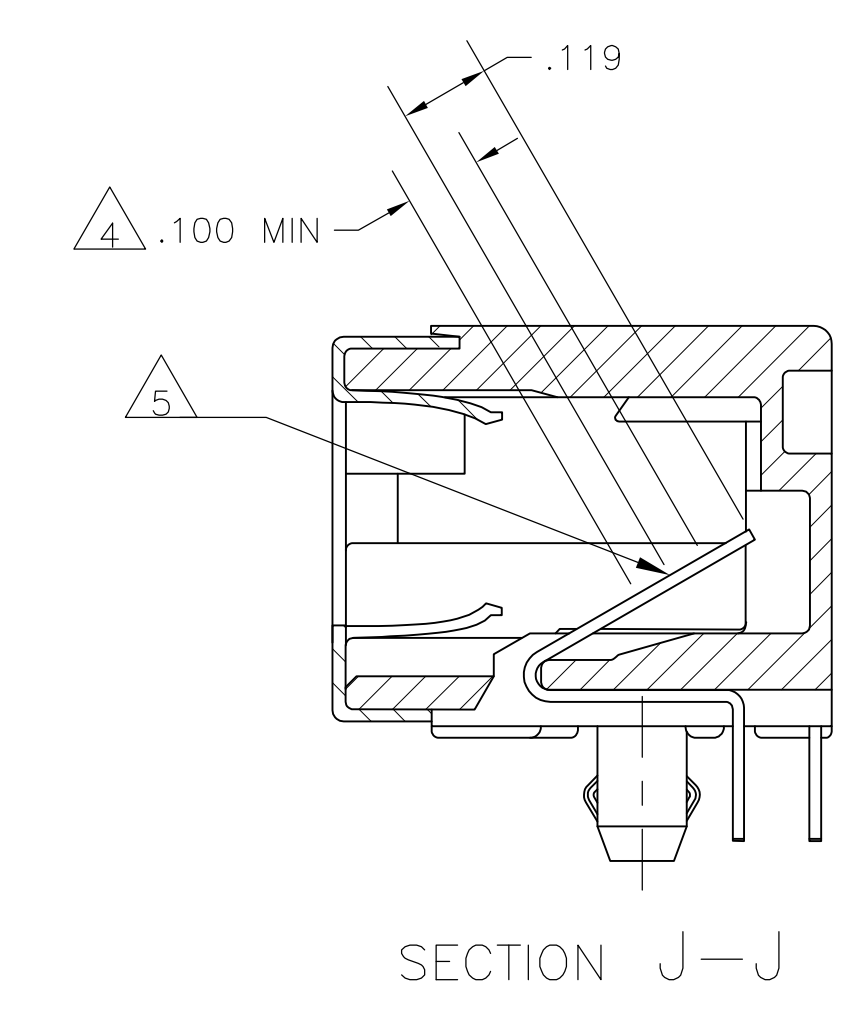
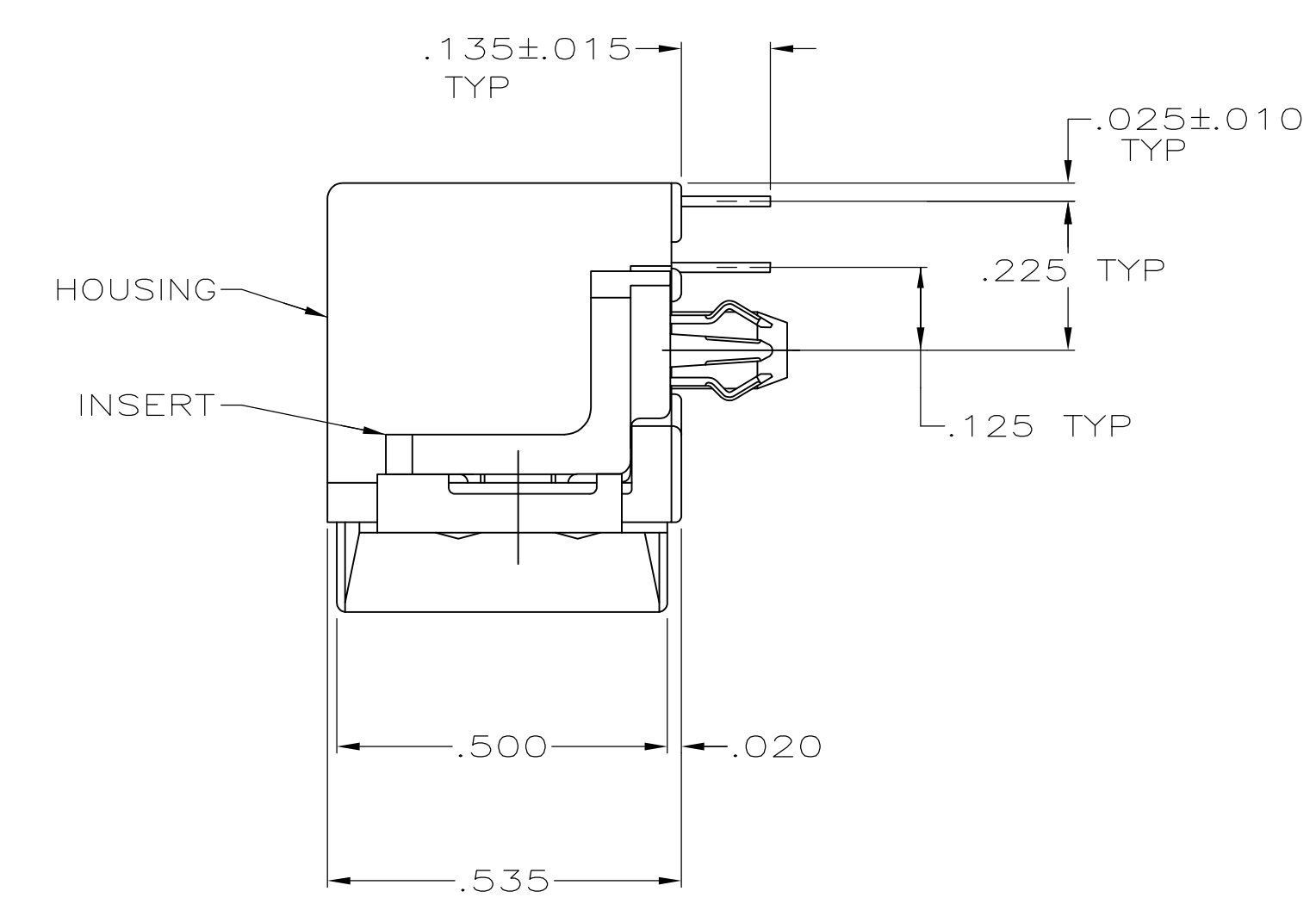
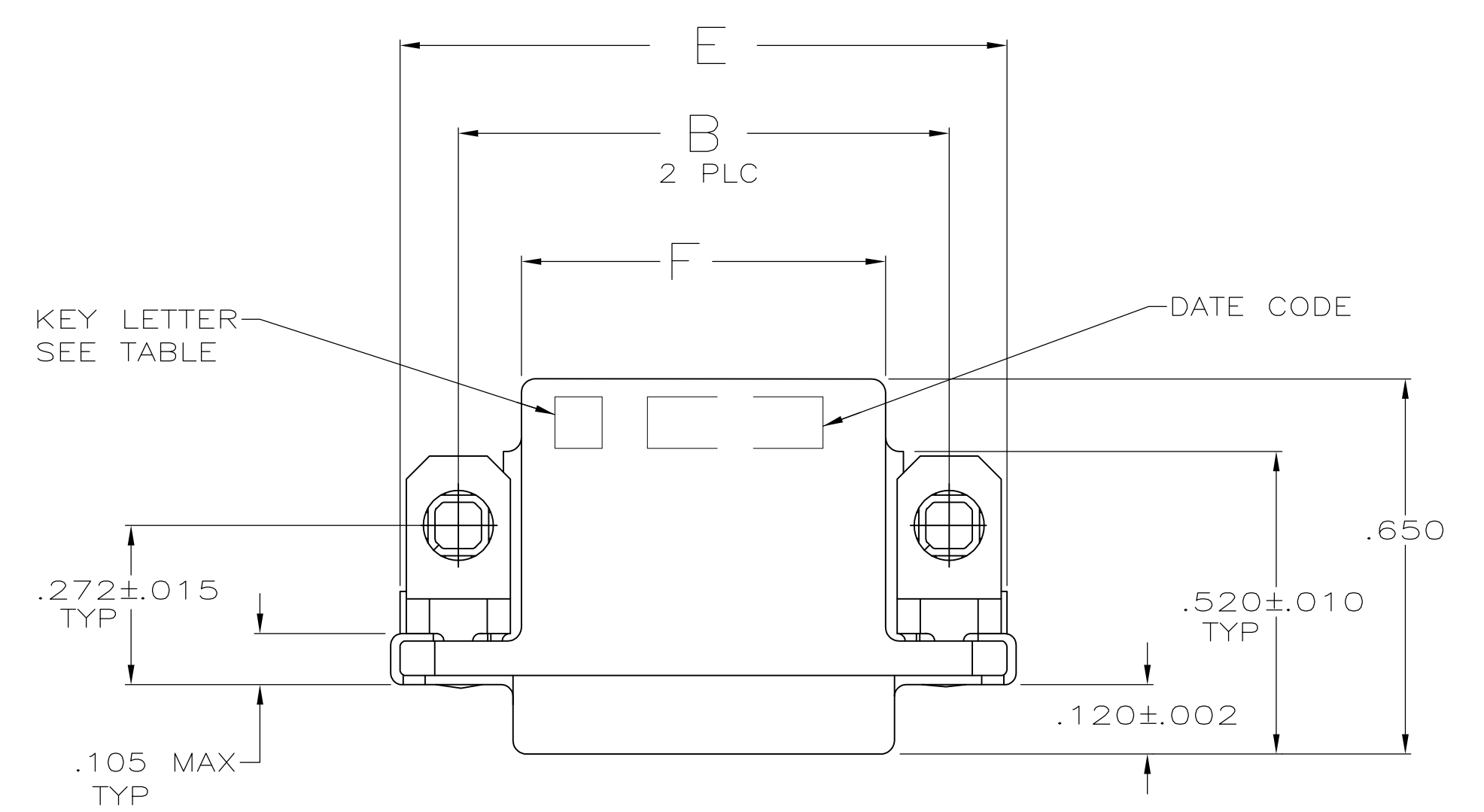


- 1 HOUSING: POLYESTER, FLAME RETARDANT, UL 94V-0 RATED, GLASS FILLED, BLACK.  
SHIELD: BRASS  
INSERT: ZINC ALLOY  
BOARDLOCKS: COPPER ALLOY.
- 2 SHIELD: .000030 MIN BRIGHT TIN OVER .000050 MIN NICKEL.  
CONTACTS: .000150 MIN MATTE TIN ON SOLDER END, .000050 MIN GOLD ON MATING END FOR A LENGTH OF .100 MIN ON MATING SURFACE, ALL OVER .000050 MIN NICKEL ON ENTIRE CONTACT.  
INSERTS: .000150 MIN NICKEL OVER .000100 MIN COPPER.  
BOARDLOCKS: .000200 MIN TIN OVER .000050 MIN NICKEL.
- 3 GOLD PLATING PER MIL-G-45204, NICKEL PLATING PER QQ-N-290, TIN PLATING PER MIL-T-10727.
- 4 DIMENSION INDICATES CONTACT MATING ZONE.
- 5 PLATING MEASUREMENT POINT.



OBSOLETE	1.230	1.650	1.050	1.260	1.450	1.700	16	E	5-1761199-6
	.830	1.250	.650	.860	1.050	1.300	8	E	5-1761199-3
	.630	1.050	.450	.660	.850	1.100	4	E	5-1761199-1
	.630	1.050	.450	.660	.850	1.100	4	D	4-1761199-1
OBSOLETE	.630	1.050	.450	.660	.850	1.100	4	C	3-1761199-1
OBSOLETE	.630	1.050	.450	.660	.850	1.100	4	B	2-1761199-1
	1.230	1.650	1.050	1.260	1.450	1.700	16	A	1-1761199-6
	.830	1.250	.650	.860	1.050	1.300	8	A	1-1761199-3
	.730	1.150	.550	.760	.950	1.200	6	A	1-1761199-2
	.630	1.050	.450	.660	.850	1.100	4	A	1-1761199-1
	F	E	D	C	B	A	NO OF POSN	KEY LETTER	PART NO

THIS DRAWING IS A CONTROLLED DOCUMENT. DIMENSIONING AND TOLERANCING PER ASME Y14.5M-2009.

DIMENSIONS: INCHES	TOLERANCES UNLESS OTHERWISE SPECIFIED:	DIN B MCMASER 30APR04	STE
0 PLC ± -	1 PLC ± -	CIR C ROHDE 30APR04	TE Connectivity
2 PLC ± -	3 PLC ± .005	APVD M WALMSLEY 30APR04	NAME
4 PLC ± -	ANGLES ± -	PRODUCT SPEC	108-2047
		APPLICATION SPEC	114-2081
MATERIAL	FINISH	SIZE	CAGE CODE
1	3	A1	00779
		DRAWING NO	1761199
		WEIGHT	-
		CUSTOMER DRAWING	SCALE 4:1

# Mouser Electronics

Authorized Distributor

Click to View Pricing, Inventory, Delivery & Lifecycle Information:

[TE Connectivity:](#)

[4-1761199-1](#)