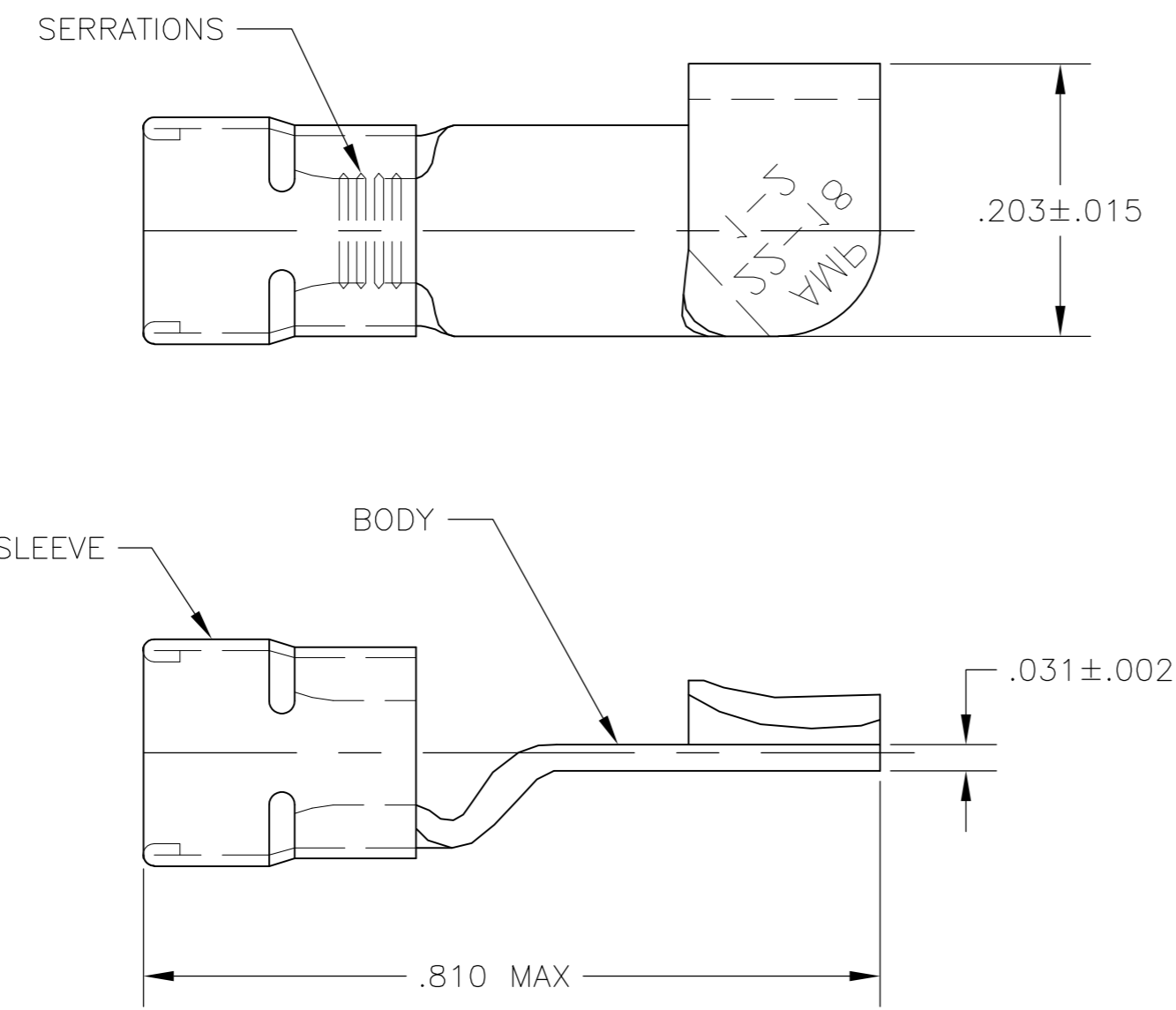


THIS DRAWING IS UNPUBLISHED. RELEASED FOR PUBLICATION  
 © COPYRIGHT BY TYCO ELECTRONICS CORPORATION. ALL RIGHTS RESERVED.

| LOC | DIST | REVISIONS   |                           |         |        |
|-----|------|-------------|---------------------------|---------|--------|
| P   | LTR  | DESCRIPTION | DATE                      | DWN     | APVD   |
| G   | 86   | J           | REVISED PER ECR-08-018477 | 07AUG08 | HMR TM |



- 1 FOR .080 TO .125 WIRE INSULATION DIA
- 2 MARKING 22-18 FOR MILITARY COMMERCIAL RANGE 22-16.
- △ 3 BODY & SLEEVE: COPPER PER ASTM-B152
- △ 4 TIN PLATE .000100 MIN THK PER ASTM-B545

|      |               |           |
|------|---------------|-----------|
| 5000 | 31770 ON TAPE | 2-31770-2 |
| 1000 | LOOSE PIECE   | 31770     |
| QTY  | PACKAGE TYPE  | PART NO   |

|   |  |                        |  |                 |
|---|--|------------------------|--|-----------------|
| THIS DRAWING IS A CONTROLLED DOCUMENT.  |  | DWN jr_ruth 22DEC2003  | Tyco Electronics Corporation<br>Harrisburg, PA 17105-3608          |                 |
| DIMENSIONS: INCHES  |  | CHK MJ SPICER 22DEC03  |  |                 |
| TOLERANCES UNLESS OTHERWISE SPECIFIED:  |  | APVD MJ SPICER 22DEC03 | NAME   |                 |
| 0 PLC ± -<br>1 PLC ± -<br>2 PLC ± -<br>3 PLC ± .008<br>4 PLC ± -<br>ANGLES ± 5' |  | PRODUCT SPEC -         | WIRE TERMINAL<br>DIAMOND GRIP-KNIFE DISCONNECT<br>WIRE SIZE: 22-16 |                 |
| MATERIAL △ 3  |  | FINISH △ 4             | APPLICATION SPEC -   | RESTRICTED TO - |
|   |  | WEIGHT -               | SIZE A3  | CAGE CODE 00779 |
|   |  | CUSTOMER DRAWING       | DRAWING NO G-31770   | REV J           |
|   |  | SCALE 5:1              | SHEET 1 OF 1   |                 |

# Mouser Electronics

Authorized Distributor

Click to View Pricing, Inventory, Delivery & Lifecycle Information:

[TE Connectivity:](#)

[2-31770-2](#)