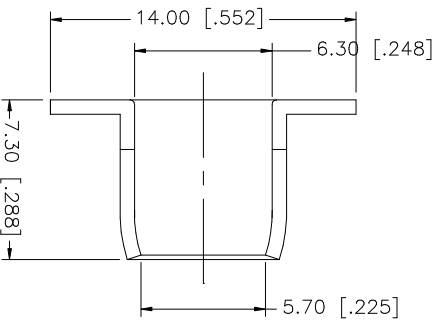
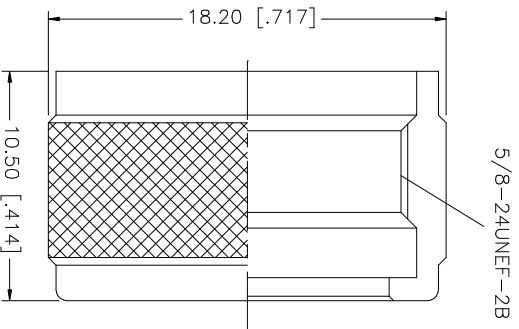
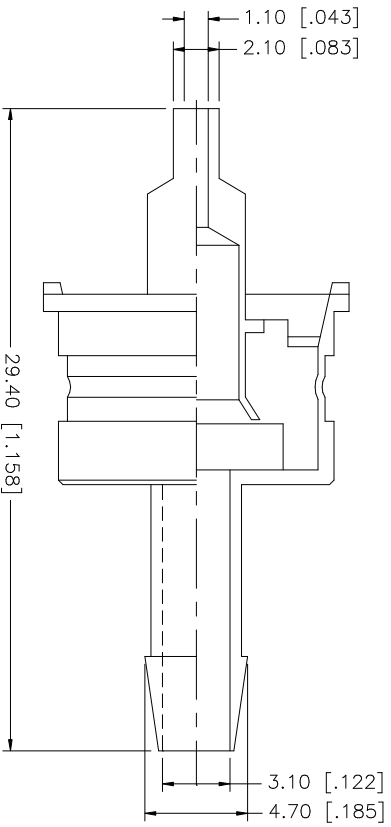
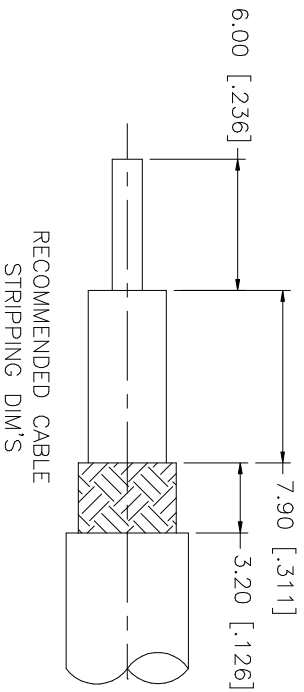


REV.	DATE	DESCRIPTION
NC	03/06/03	INITIAL RELEASE



DESCRIPTION	MATERIAL	FINISH	QTY	DO NOT SCALE DRAWING	APPROVALS	DATE	PART DESCRIPTION	
8				UNLESS OTHERWISE SPECIFIED DIMENSIONS ARE IN MILLIMETERS. DIMENSIONS IN [ ] ARE IN INCHES AND FOR CUSTOMER REFERENCE ONLY.	DRAWN	G.R.S.	03/06/03	<p style="text-align: center;"><b>Amphenol Connex</b></p> <p style="text-align: center;">UHF FCP PLUG (FOR RG-58/U, 141/U CABLE)</p> <p style="text-align: center;">182103</p>
7				UNLESS OTHERWISE SPECIFIED TOLERANCES FOR MILLIMETERS ARE:	CHECKED			
6				0.5 - 8mm ± 0.20mm	ISSUED			
5				8 - 30mm ± 0.40mm	SHEET	1 OF 1		
4	FERRULE	BRASS	1	30 - 120mm ± 0.30mm	CAD FILE	C:/182/182103.DWG		
3	CONTACT PIN	BRASS	1	UNLESS OTHERWISE SPECIFIED TOLERANCES FOR INCHES ARE:	DWG. NO.	182103.DWG		
2	INSULATOR	PHENOLIC	1	0.20 - .315 = ± 0.007"	REV.	NC		
1	SHELL/BODY	BRASS	1	.315 - 1.180 = ± 0.015"	SIZE	A		
1		NICKEL	1	1.180 - 4.724 = ± 0.020"	SCALE	NA		

# Mouser Electronics

Authorized Distributor

Click to View Pricing, Inventory, Delivery & Lifecycle Information:

[Amphenol:](#)

[182103](#)