

! To Be Discontinued
Last time buy: September 30, 2018

ACCESSORIES

HJ RELAYS

(Sockets and DIN rail terminal sockets)

TYPES

1. Sockets (HC sockets)

Type	No. of poles	Product name	Part No.	Standard packing	
				Carton	Case
Plug-in socket	2-pole	HC2-socket (for HJ relay)	HC2-SS-K-H105	10 pcs.	100 pcs.
	2/4-pole (common)	HC4-socket (for HJ relay)	HC4-SS-K-H105		
PC board socket	2-pole	HC2-PC board socket (for HJ relay)	HC2-PS-K-H105		
	2/4-pole (common)	HC4-PC board socket (for HJ relay)	HC4-PS-K-H105		

- Notes: 1. Use the hold-down clip that is shipped with the terminal socket or socket.
 2. DIN rail terminal sockets conform to UL/C-UL and TÜV, as standard. Sockets conform to UL and CSA, as standard.
 3. In order to prevent breakage and disfiguring, the screw tightening torque for the terminal socket should be within the range of 0.49 to 0.69 N·m (5 to 7 kgf·cm).
 4. When attaching directly to a chassis, please use an M4 × 10 metric coarse screw thread, a spring washer, and a hexagonal nut.
 5. For S1DX/S1DXM timer, use the leaf holding clip (Part No. ADX18012).

2. Terminal sockets (HJ terminal sockets)

Type	No. of poles	Product name	Part No.	Standard packing		Applicable HJ relay (Plug-in type)	
				Carton	Case	2 Form C	4 Form C
For DIN rail	2-pole	HJ2 terminal socket	HJ2-SFD	10 pcs.	100 pcs.	●	
		HJ2 terminal socket (Finger protect type)	HJ2-SFD-S			●	
	2/4-pole (common)	HJ4 terminal socket	HJ4-SFD			▲*1	●
		HJ4 terminal socket (Finger protect type)	HJ4-SFD-S			▲*1	●

*1 When using 2/4-pole common type, please use within a range that does not exceed the max. continuous current (5A)

3. Terminal sockets (HC terminal sockets)

Type	No. of poles	Product name	Part No.	Standard packing		Applicable HJ relay (Plug-in type)	
				Carton	Case	2 Form C	4 Form C
For DIN rail	2-pole	HC2-slim type DIN terminal socket	HC2-SFD-S	20 pcs.	100 pcs.	●	
	2/3-pole (common)	HC3-DIN terminal socket	HC3-SFD-K	5 pcs.	50 pcs.	●	
	1/2/4-pole (common)	HC vertical terminal socket	HC4-TSF-K			●	●

Note: 1. For rating of HC terminal sockets, please refer to page 52.

RATING

Specifications (Sockets and terminal sockets)

Item	Performance							
	For HC2/HJ Plug in terminal socket	For HC2/HJ PC board socket	HJ2 terminal socket	HJ2 terminal socket (Finger protect type)	For HC4/HJ Plug in terminal socket	For HC4/HJ PC board socket	HJ4 terminal socket	HJ4 terminal socket (Finger protect type)
Contact arrangement	2 Form C (2-pole)				4 Form C (2/4-pole common)			
Max. continuous current (Ambient temperature: -40/-50 to +70°C -40/-58 to +158°F)	7A	7A	7A	7A	5A	5A	5A	5A
Breakdown voltage (Initial)	Between open contacts	2,000 Vrms for 1 min. (Detection current: 10mA)						
	Between contact sets							
	Between contact and coil							
Initial insulation resistance	100 MΩ between each terminal (500V DC)							

Note: When using 2-pole of HJ relay (7A rating) on a 4 Form C socket and terminal socket that is 2/4-pole common, please use within a range that does not exceed the max. continuous current (5A).

DIMENSIONS (mm inch)

The CAD data of the products with a **CAD Data** mark can be downloaded from: <http://industrial.panasonic.com/ac/e/>

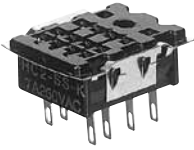
1. Plug-in socket

HC2 - Socket for HJ relay (HC2-SS-K-H105)

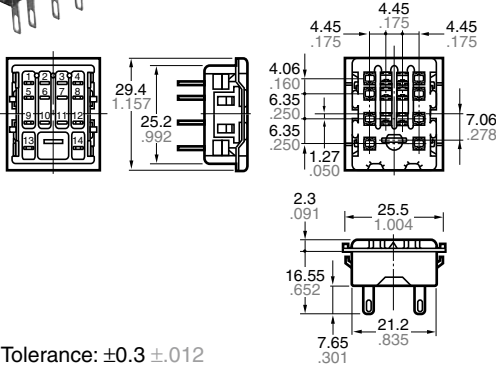
HC4 - Socket for HJ relay (HC4-SS-K-H105)

CAD Data

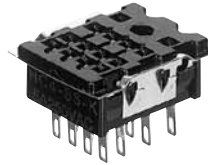
CAD Data



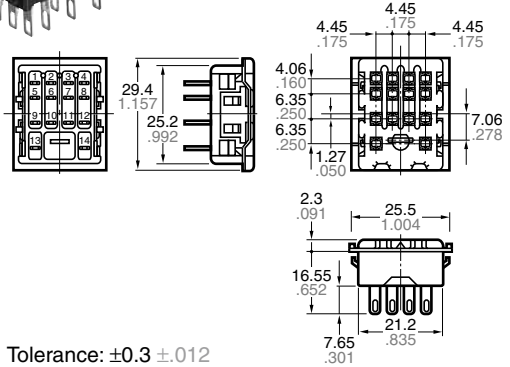
External dimensions



Tolerance: $\pm 0.3 \pm 0.12$

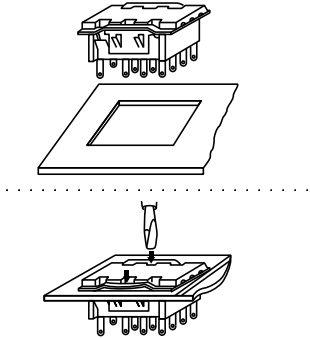


External dimensions

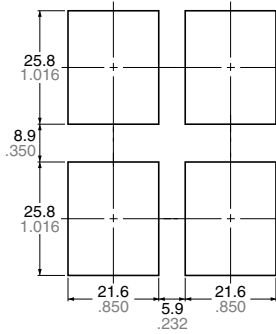


Tolerance: $\pm 0.3 \pm 0.12$

Mounting hole diagram



Chassis cutout (Side-by-side installation)



Tolerance: $\pm 0.2 \pm 0.08$

- Notes: 1. Applicable chassis board thickness is 1.0 to 2.0 mm.
2. Installation is easy by inserting the socket from the top into the holes and by depressing the two down arrows on the retention fitting from the front.

With a relay mounted (HC2-SS-K-H105)



Hold-down clip is packaged with the socket. (Same product as plug-in socket (Part No.: HC2-SS-K) for HC relay except that hold-down clip shape is different.)

2. PC board socket

HC2 - PC board socket for HJ relay (HC2-PS-K-H105)

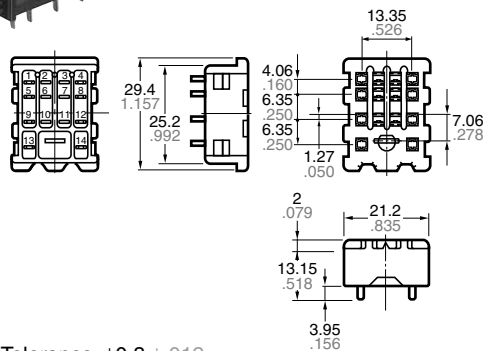
HC4 - PC board socket for HJ relay (HC4-PS-K-H105)

CAD Data

CAD Data



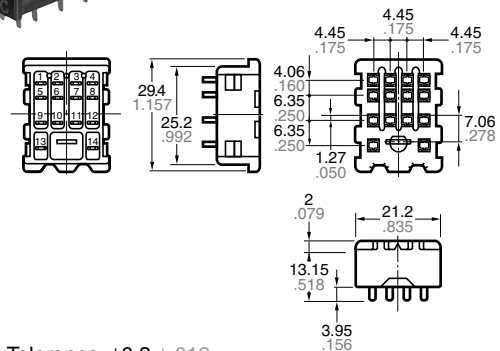
External dimensions



Tolerance: $\pm 0.3 \pm 0.12$

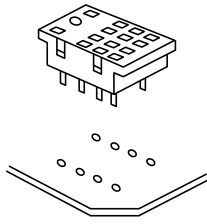


External dimensions

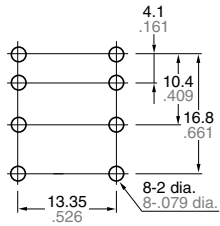


Tolerance: $\pm 0.3 \pm 0.12$

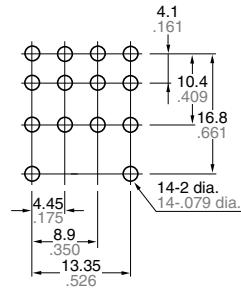
PC board pattern (BOTTOM VIEW)



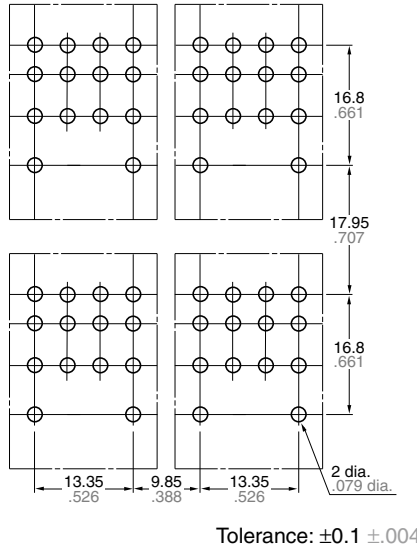
2 Form C



4 Form C



Chassis cutout (Side-by-side installation)



With a relay mounted (HC2-PS-K-H105)



Hold-down clip is packaged with the socket.
(Same product as PC board socket (Part No.: HC2-PS-K) for HC relay except that hold-down clip shape is different.)

3. Terminal socket

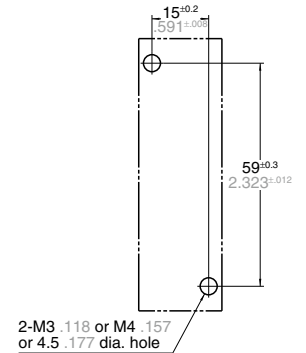
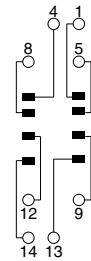
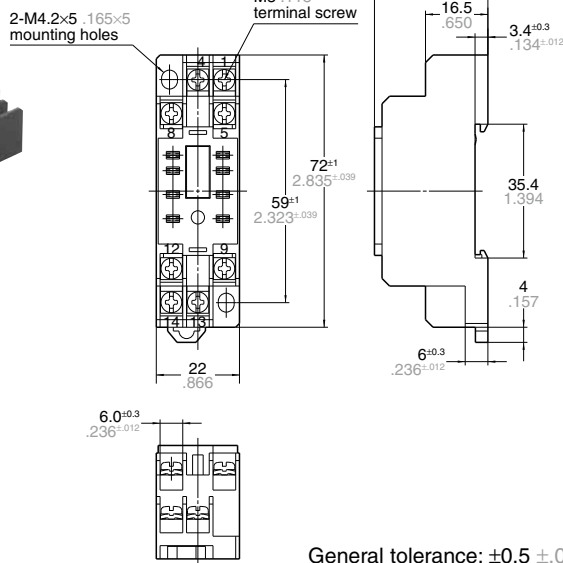
HJ2 terminal socket (HJ2-SFD)

CAD Data

External dimensions

Schematic (Bottom view)

Mounting hole dimensions



Note: Hold-down clip is packaged with the terminal socket.

General tolerance: $\pm 0.5 \pm .020$

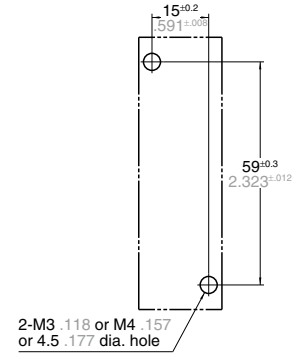
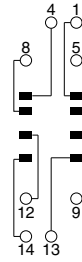
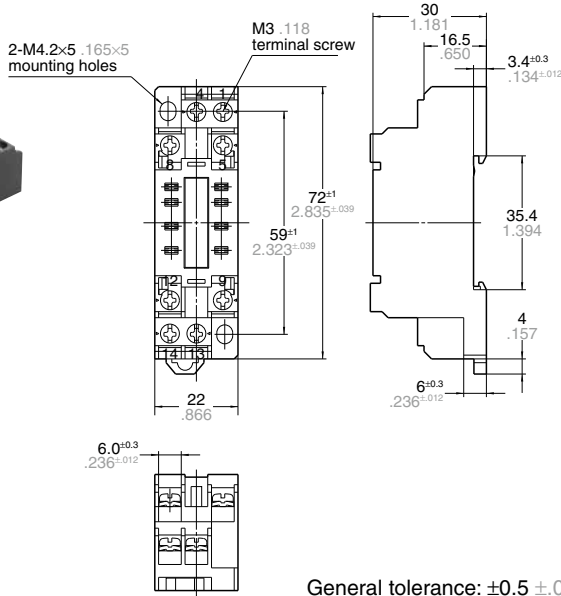
HJ2 terminal socket (Finger protect type) (HJ2-SFD-S)

CAD Data

External dimensions

Schematic (Bottom view)

Mounting hole dimensions



General tolerance: $\pm 0.5 \pm .020$

Notes: 1. Hold-down clip is packaged with the terminal socket.
2. Round type terminal is unable to attach.

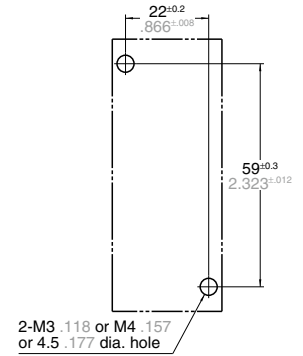
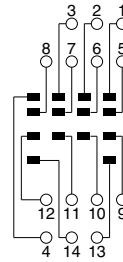
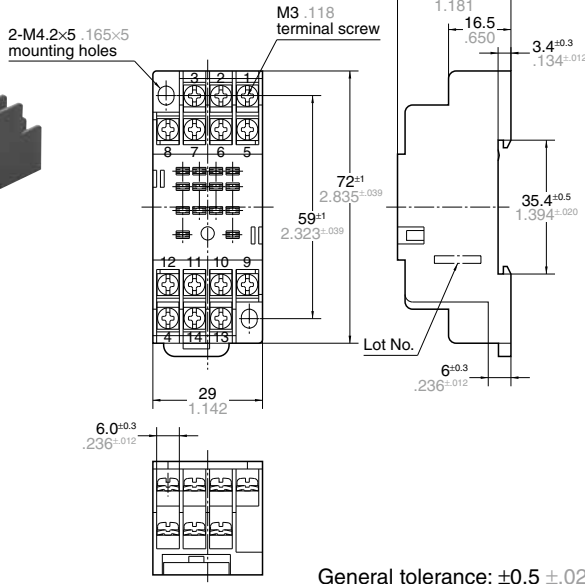
HJ4 terminal socket (HJ4-SFD)

CAD Data

External dimensions

Schematic (Bottom view)

Mounting hole dimensions



General tolerance: $\pm 0.5 \pm .020$

Note: Hold-down clip is packaged with the terminal socket.

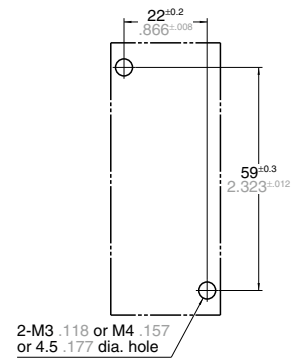
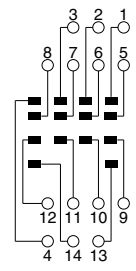
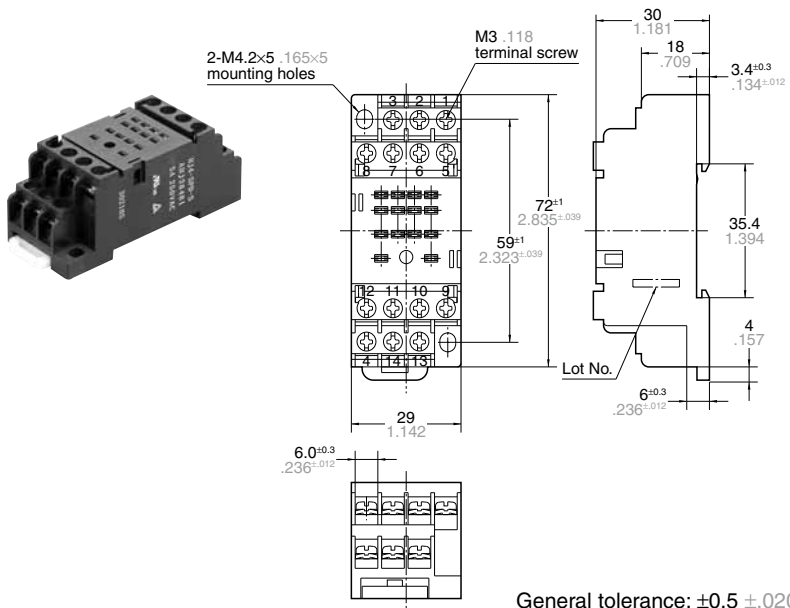
HJ4 terminal socket (Finger protect type) (HJ4-SFD-S)

CAD Data

External dimensions

Schematic (Bottom view)

Mounting hole dimensions



General tolerance: $\pm 0.5 \pm 0.20$

Notes: 1. Hold-down clip is packaged with the terminal socket.
2. Round type terminal is unable to attach.

Please contact

Panasonic Corporation

Electromechanical Control Business Division

■ 1006, Oaza Kadoma, Kadoma-shi, Osaka 571-8506, Japan
industrial.panasonic.com/ac/e/

Panasonic[®]

©Panasonic Corporation 2017

Mouser Electronics

Authorized Distributor

Click to View Pricing, Inventory, Delivery & Lifecycle Information:

[Panasonic:](#)

[HJ2-SFD](#) [HJ2-SFD-S](#) [HJ4-SFD](#) [HJ4-SFD-S](#) [HJ2-SF](#)