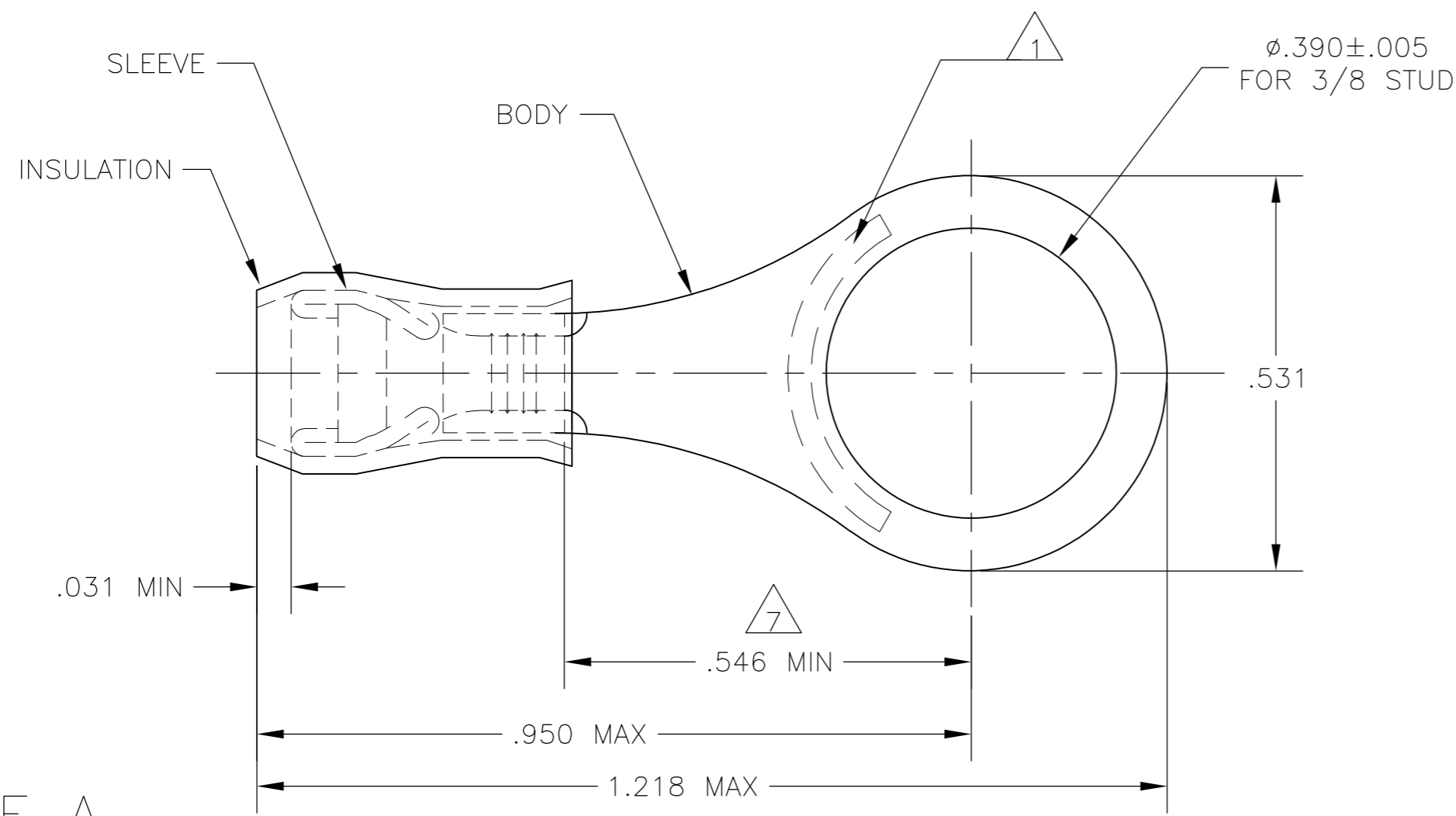
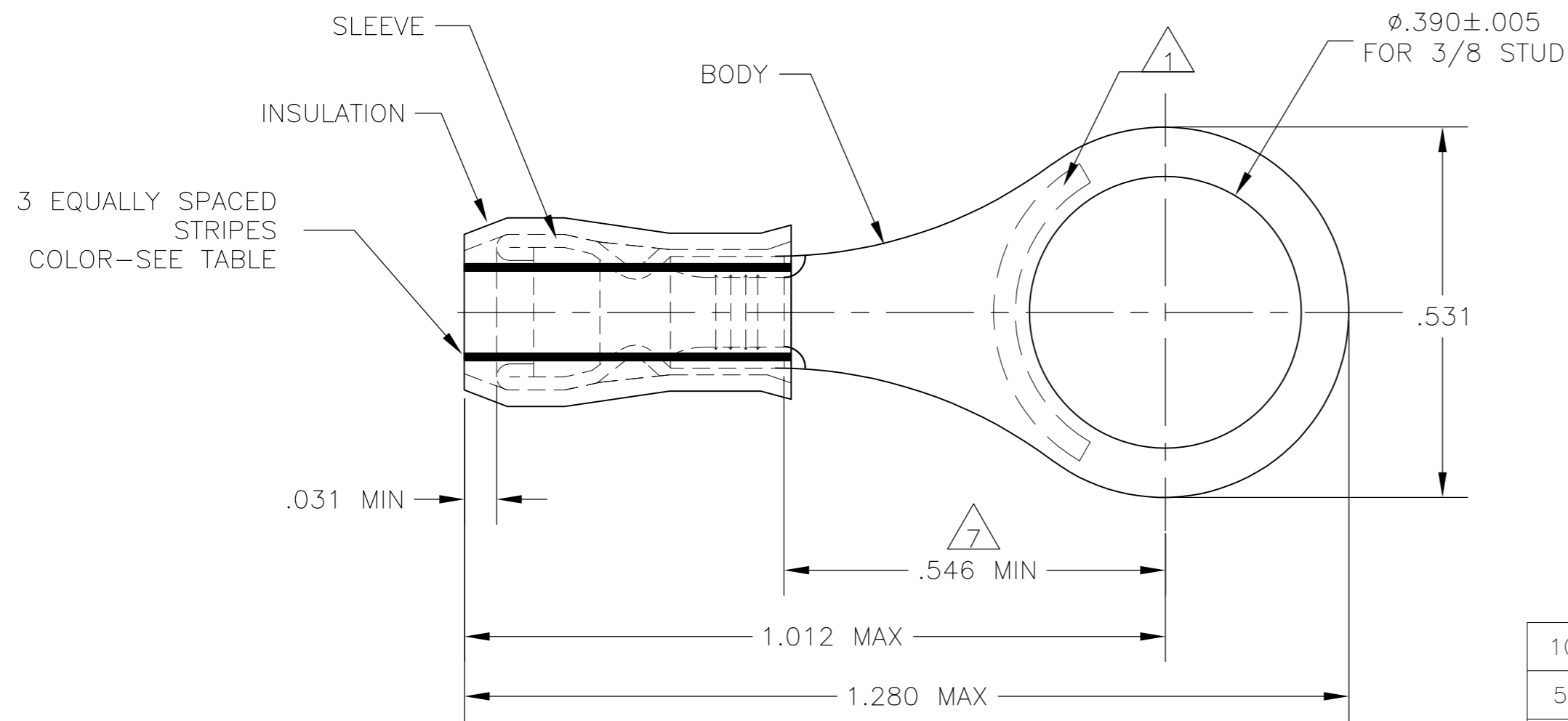


THIS DRAWING IS UNPUBLISHED. RELEASED FOR PUBLICATION
 © COPYRIGHT - By - ALL RIGHTS RESERVED.

| LOC | DIST | REVISIONS | | | | | |
|-----|------|-----------|-----|---------------------------|-----------|-----|------|
| | | P | LTR | DESCRIPTION | DATE | DWN | APVD |
| G | 14 | N | | REVISED PER ECO-14-015277 | 24FEB2015 | NK | DR |



STYLE A



STYLE B
INSULATION RESTRICTING

| | | |
|--------------------------------|--------------------------------|--------------------------------|
| AMP WIRE RANGE | E13288 Listed | LR7189 Certified |
| 16-14 AWG SOLID OR STRANDED | 16-14 AWG SOLID OR STRANDED | 16-14 AWG SOLID OR STRANDED |

- 1 STAMP "AMP - SEE TABLE" APPROX AS SHOWN.
- 2 WIRE INSULATION DIA: SEE TABLE.
- 3 TONGUE MATERIAL THK: .031±.002.
- 4 BODY: TIN PLATE .000100 MIN EXT THK PER ASTM B545.
- 5 SLEEVE: TIN PLATE .000100 MIN EXT THK PER ASTM B545.
- 6 BODY & SLEEVE- CU PER ASTM B152 INSULATION - NYLON PER ASTM D4066 COLOR - BLUE.
- 7 APPLIES FROM EDGE OF METAL WIRE BARREL TO CENTER OF STUD HOLE.
- 8 MEETS MS25036-110, CLASS 1 & 2.
- 9 MEETS M7928/1-45, CLASS 1 & 2.
- 10 MEETS M7928/1-54, CLASS 1 & 2.

| QTY | PACKAGE TYPE | STAMPING | WIRE INSUL DIA | WIRE SIZE | STRIPE COLOR | STYLE | BODY FINISH | SLEEVE FINISH | PART NO |
|-----|------------------|----------|----------------|-----------|--------------|-------|-------------|---------------|------------|
| 100 | LOOSE PIECE, BOX | 16-14 | .105-.150 | 16-14 | -- | A | | | 8-320564-1 |
| 500 | 320564 ON TAPE | 16-14 | .105-.150 | 16-14 | -- | A | | | 2-320564-3 |
| 500 | LOOSE PIECE | 14 | .078-.130 | 14 | GREEN | B | 4 | 5 | 2-320564-2 |
| 500 | LOOSE PIECE | 16 | .063-.130 | 16 | BLUE | B | | | 2-320564-1 |
| 500 | LOOSE PIECE | 16-14 | .105-.150 | 16-14 | -- | A | | | 320564 |

| | | | | | | | | |
|--|--|---|--|--|----------------------------------|------------------------|---|------------|
| CUSTOMER SERVICE SYSTEMS | | MAX RECOMMENDED OPERATING TEMPERATURE: 105°C MAX | THIS DRAWING IS A CONTROLLED DOCUMENT. | | DWN JR RUTH 13JAN10 | TE Connectivity | | |
| FOR ADDITIONAL PRODUCT INFORMATION OR COPIES OF DRAWINGS AND TECHNICAL DOCUMENTS | PRODUCT INFORMATION CENTER 1-800-522-6752 | VOLTAGE RATING: 300 VOLT MAX | DIMENSIONS: INCHES | TOLERANCES UNLESS OTHERWISE SPECIFIED: 0 PLC ± - 1 PLC ± - 2 PLC ± - 3 PLC ± .008 4 PLC ± - | CHK T MICHIELUTTI 13JAN10 | | NAME TERMINAL, RING TONGUE, PIDG WIRE SIZE: 16-14 AWG | |
| FOR APPLICATION TOOLING INFORMATION | TOOLING ASSISTANCE CENTER 1-800-722-1111 | CIRCULAR MIL AREA: 1.04-2.62mm² [2,050-5,180] STRANDED OR SOLID | | MATERIAL | APVD T MICHIELUTTI 13JAN10 | | | SIZE A2 |
| FOR ORDER ENTRY | 1-800-526-5142 | THIS DRAWING IS A CONTROLLED DOCUMENT FOR AMP INCORPORATED. IT IS SUBJECT TO CHANGE AND THE CONTROLLING ENGINEERING ORGANIZATION SHOULD BE CONTACTED FOR THE LATEST REVISION. | | FINISH - | PRODUCT SPEC - | CAGE CODE 00779 | | |
| | | | | | WEIGHT - | DRAWING NO C=320564 | RESTRICTED TO - | |
| | | | | | CUSTOMER DRAWING | SCALE 5:1 | SHEET 1 of 1 | REV N |

Mouser Electronics

Authorized Distributor

Click to View Pricing, Inventory, Delivery & Lifecycle Information:

[TE Connectivity:](#)

[8-320564-1](#)