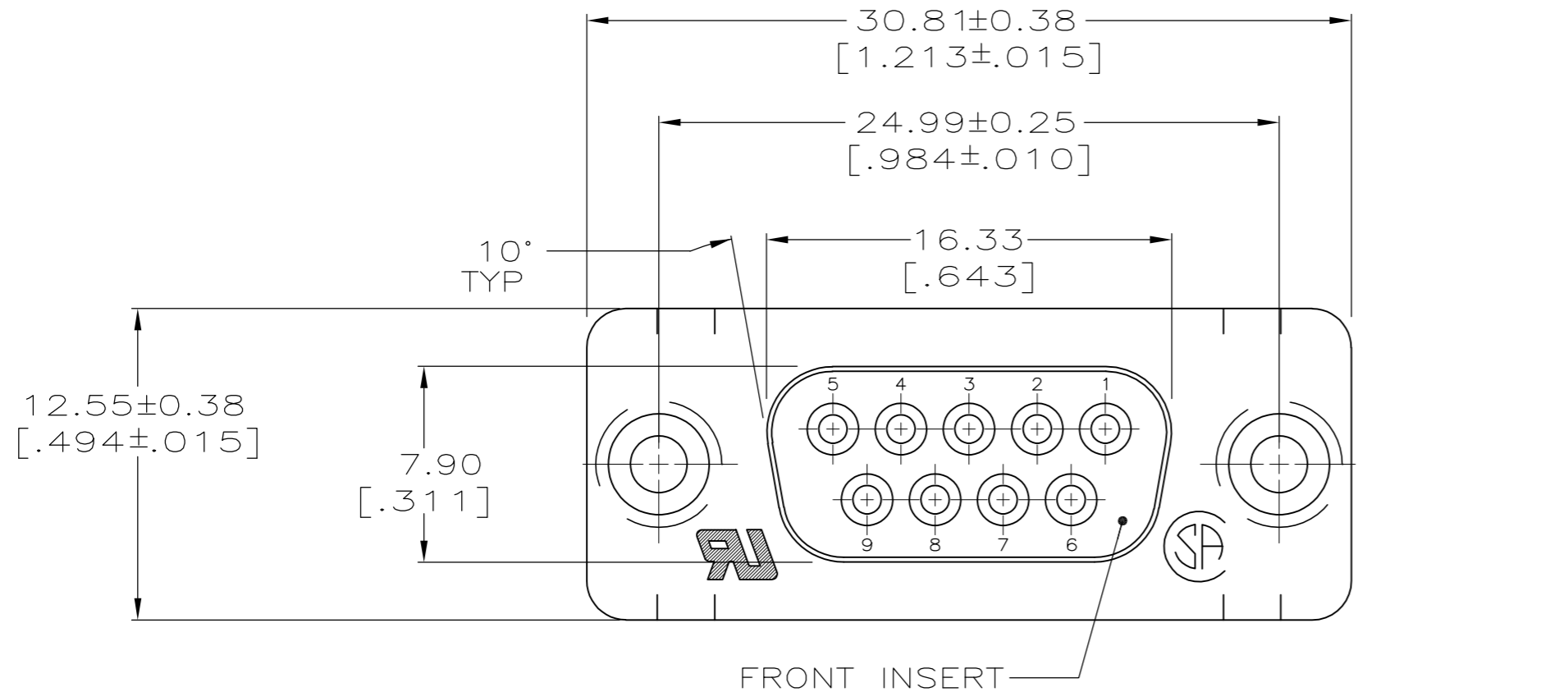
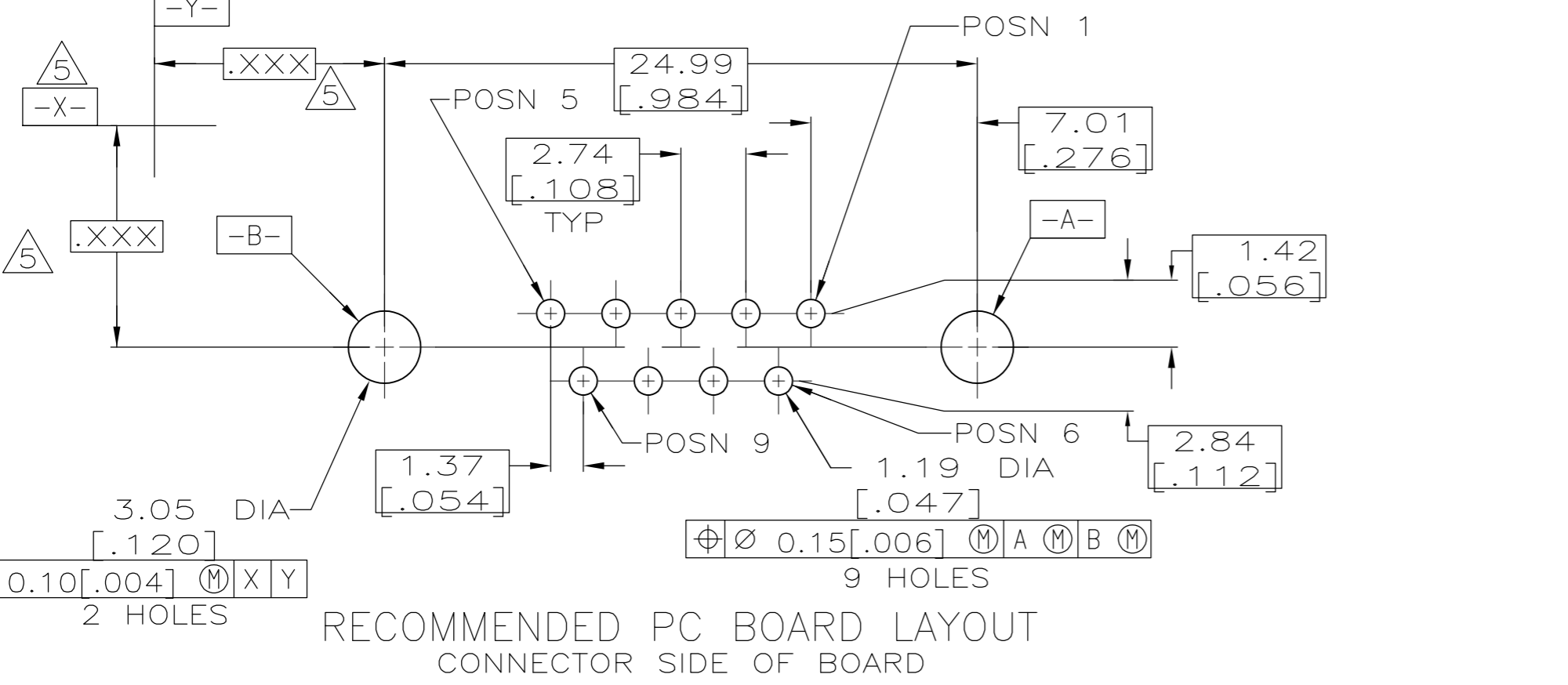
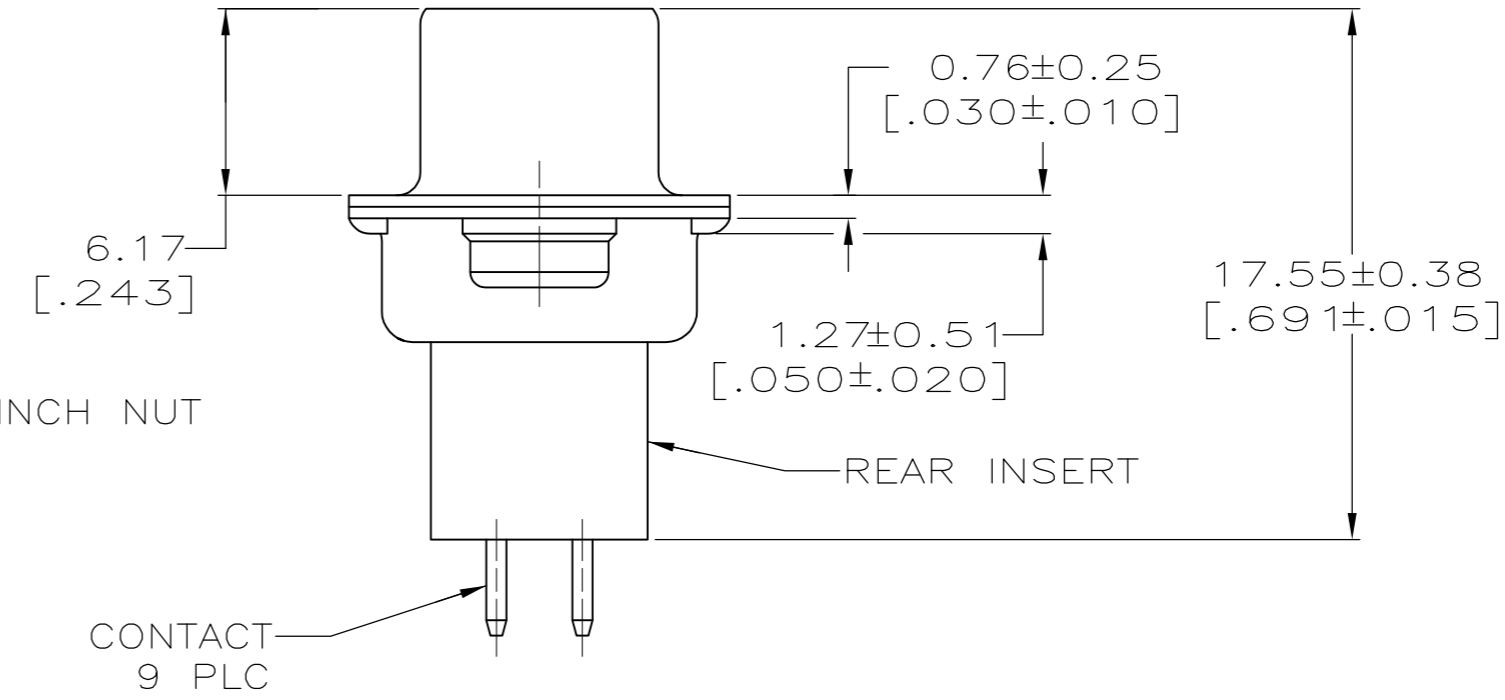
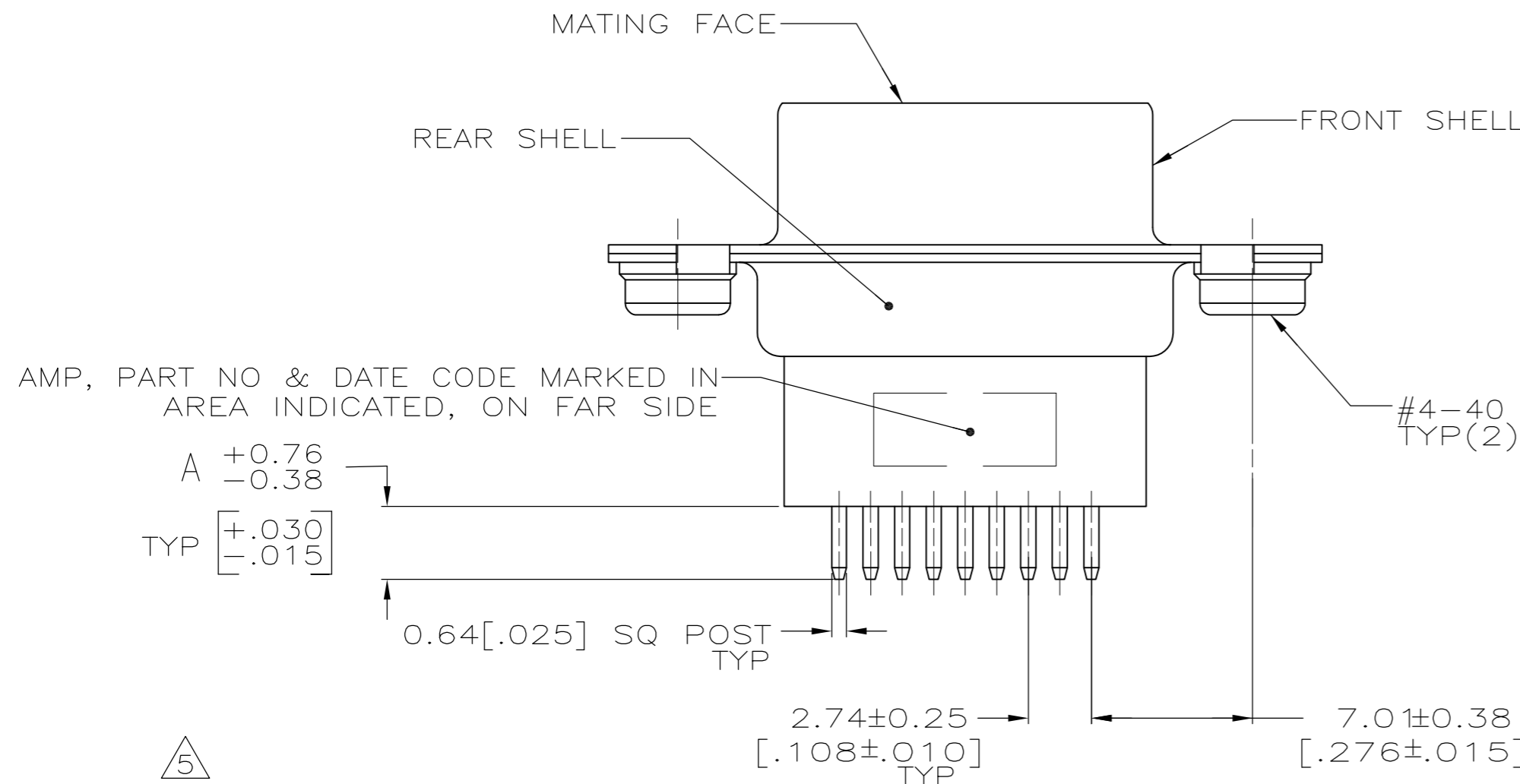


THIS DRAWING IS UNPUBLISHED. RELEASED FOR PUBLICATION  
 © COPYRIGHT BY TYCO ELECTRONICS CORPORATION. ALL RIGHTS RESERVED.

LOC		DIST		REVISIONS			
P	LTR	DESCRIPTION	DATE	DWN	APVD		
GP	00						
	J	REVISED PER ECO-10-000073	08FEB2010	CR	SB		



- ① MOLDED PARTS: BLACK NYLON OR POLYESTER, UL 94V-0 RATED, GLASS FILLED;  
CONTACTS: PHOSPHOR BRONZE  
SHELLS: CARBON STEEL  
CLINCH NUT: CARBON STEEL
- ② GOLD FLASH FOR LENGTH OF 1.90 [.075] MIN FROM MATING END, 2.54µm [.000100] MIN TIN-LEAD FOR A LENGTH OF DIMENSION A FROM OPPOSITE END, BOTH OVER 1.27µm [.000050] MIN NICKEL.
- ③ 0.76µm [.000030] MIN GOLD FOR LENGTH OF 1.90 [.075] MIN FROM MATING END, 2.54µm [.000100] MIN TIN-LEAD FOR A LENGTH OF DIMENSION A FROM OPPOSITE END, BOTH OVER 1.27µm [.000050] MIN NICKEL.  
-OR-  
GOLD FLASH OVER PALLADIUM-NICKEL, 0.76µm [.000030] MIN TOTAL FOR A LENGTH OF 1.90 [.075] MIN FROM MATING END, 2.54µm [.000100] MIN TIN-LEAD FOR A LENGTH OF DIMENSION A FROM OPPOSITE END, BOTH OVER 1.27µm [.000050] MIN NICKEL.
- ④ SHELLS: 5.08µm [.000200] MIN TIN OVER 2.54µm [.000100] MIN COPPER  
CLINCH NUT: ZINC PLATED WITH CLEAR CHROMATE COATING.
- ⑤ DATUMS AND BASIC DIMENSIONS ESTABLISHED BY CUSTOMER.



OBSOLETE	③	16.54 [.651]	747190-8
OBSOLETE	②	16.54 [.651]	747190-7
SUPSD BY 747190-4	③	10.85 [.427]	747190-6
SUPSD BY 747190-4	②	10.85 [.427]	747190-5
	③	4.78 [.188]	747190-4
OBSOLETE	②	4.78 [.188]	747190-3
	③	3.18 [.125]	747190-2
	②	3.18 [.125]	747190-1
CONTACT FINISH		DIMENSION A	PART NUMBER

THIS DRAWING IS A CONTROLLED DOCUMENT.		DWN	J.GERACE	3-11-83	Tyco Electronics Corporation Harrisburg, PA 17105-3608	
DIMENSIONS: mm [INCHES]		CHK	J.GERACE	4-28-83		
TOLERANCES UNLESS OTHERWISE SPECIFIED:		APVD	J. ASSINI	4-29-83		
0 PLC ± - 1 PLC ± - 2 PLC ± .013 [.005] 3 PLC ± - 4 PLC ± - ANGLES ± 2°		PRODUCT SPEC	108-40025			
MATERIAL		APPLICATION SPEC	114-40013		NAME	RECEPTACLE ASSEMBLY, SIZE 1, 9 POS., VERTICAL, .025 SQ. POSTS, W/CLINCH NUTS, AMPLIMITE
FINISH		WEIGHT	-		SIZE	A2
①		CUSTOMER DRAWING		SCALE	4:1	SHEET 1 of 1
④		REV J		RESTRICTED TO		

# Mouser Electronics

Authorized Distributor

Click to View Pricing, Inventory, Delivery & Lifecycle Information:

[TE Connectivity:](#)

[747190-1](#)