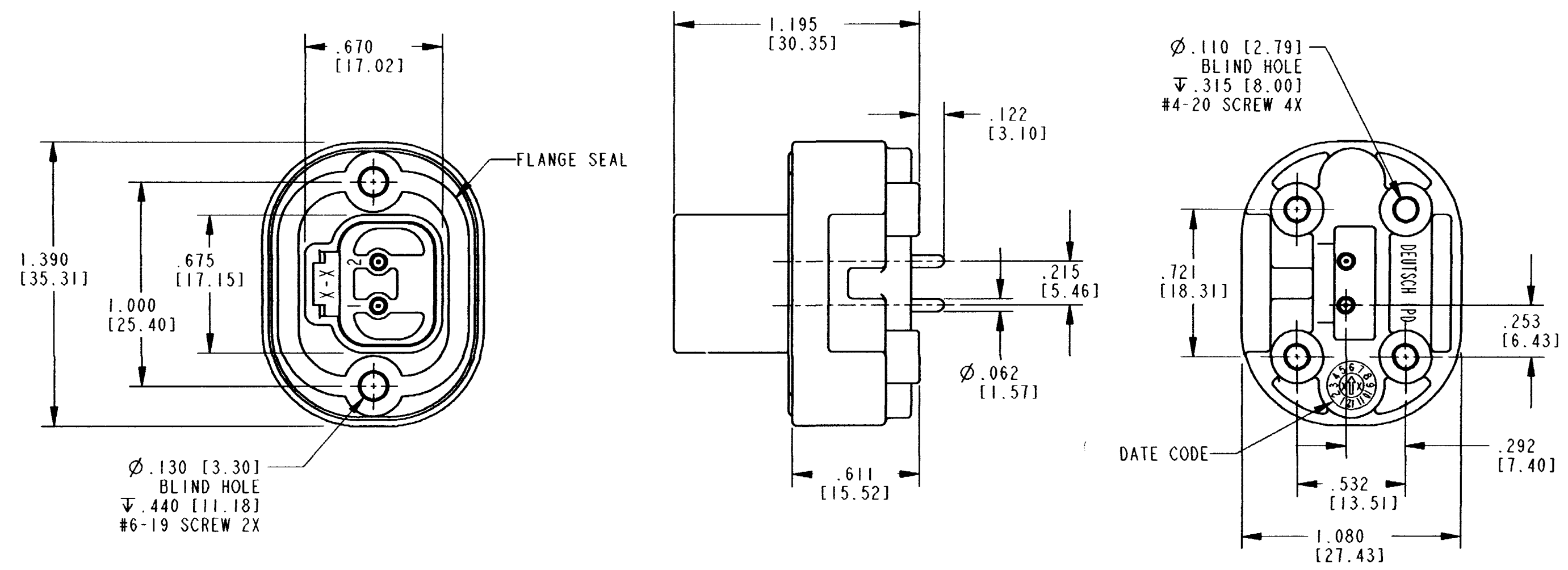


REV
C DT15-2P

REVISIONS			
SYM	DESCRIPTION	DATE	APPROVED
NC	NEW RELEASE PER E.O. A13637	7/15/93	JA
A	REVISED AND REDRAWN PER E.O. P17444	1/9/02	RDR
B	REVISED PER E.O. P18200	6/16/03	RDR
C	REVISED PER E.O. P19401	11-20-06	RDR



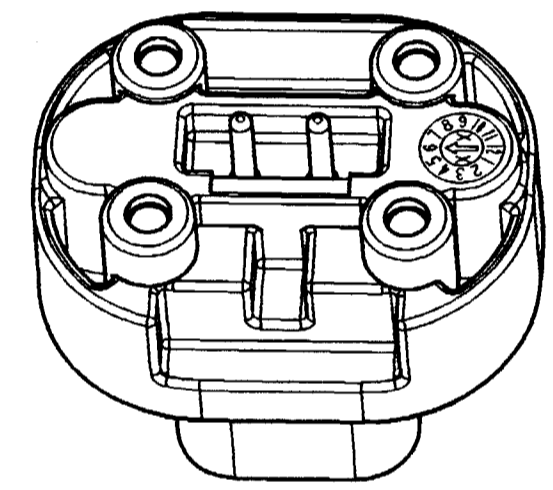
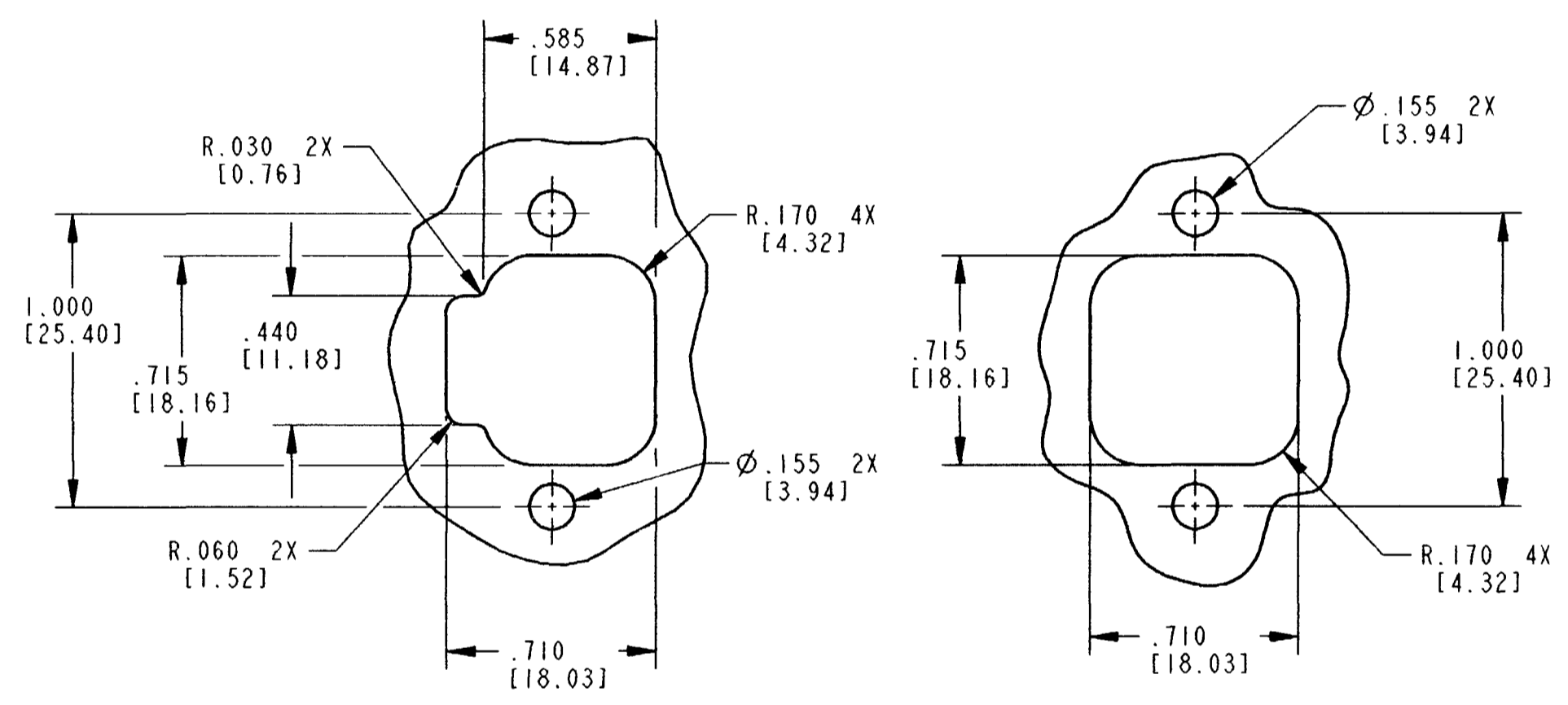
6. MOUNTING SCREW TORQUE VALUES ARE AS FOLLOWS:
 #6-19 SCREWS: 13 ± 2.0 IN-LB [$1.47 \pm .23$ N-M].
 #4-20 SCREWS: 8 ± 2.0 IN-LB [$.90 \pm .23$ N-M].
 VALUES VALID FOR PLASTITE 48 SCREWS ONLY.
5. RECOMMENDED MOUNTING SCREWS (NOT INCLUDED): CAMCAR PLASTITE 48.
4. THIS RECEPTACLE MATES WITH DT06-2S-**** PLUG (**** = ALL MODIFICATIONS.)
3. SHELL MATERIAL: PLASTIC; FLANGE SEAL MATERIAL: RUBBER.
2. DIMENSION TOLERANCE: $\pm .025$ [.64], PANEL CUTOUT $\pm .010$ [.25].

NOTES: 1. DIMENSIONS ARE IN INCHES [mm].

SIGNATURE & DATE		PCB MOUNT RECEPTACLE 2 PIN-STRAIGHT DT SERIES COLOR: GRAY	EP	MATL. CODE	
DR	P. BURKE 01/04/02		The Deutsch Company DEUTSCH I. P. D. 3850 INDUSTRIAL AVE. HEMET, CALIF. 92545		
CHK	<i>Sam C. Dyer 11/16/06</i>		B	DT15-2P	
PE	<i>(K. Miller) 11/10/06</i>			DWG SIZE	CODE 11139
APPD	<i>S. Beard 11/14/06</i>	ENVELOPE			
SCALE	NONE	WT			

REV C DT15-2P

REVISIONS			
SYM	DESCRIPTION	DATE	APPROVED
C	SEE SHEET ONE	11-20-06	RDR



3D VIEW

RECOMMENDED PANEL CUTOUTS

NOTES:

SIGNATURE & DATE		PCB MOUNT RECEPTACLE 2 PIN-STRAIGHT DT SERIES COLOR: GRAY	EP	MATL. CODE	
DR	P. BURKE 01/04/02		The Deutsch Company DEUTSCH I.P.D. 3850 INDUSTRIAL AVE. HEMET, CALIF. 92545		
CHK	<i>David Spradl 11/16/06</i>		B	DT15-2P	
PE	<i>W. Melan 11-7-06</i>			DWG SIZE	CODE 11139
APPD	<i>S. Bend 11-7-06</i>	ENVELOPE			
SCALE	NONE	WT			

Mouser Electronics

Authorized Distributor

Click to View Pricing, Inventory, Delivery & Lifecycle Information:

[TE Connectivity:](#)

[DT15-2P](#)